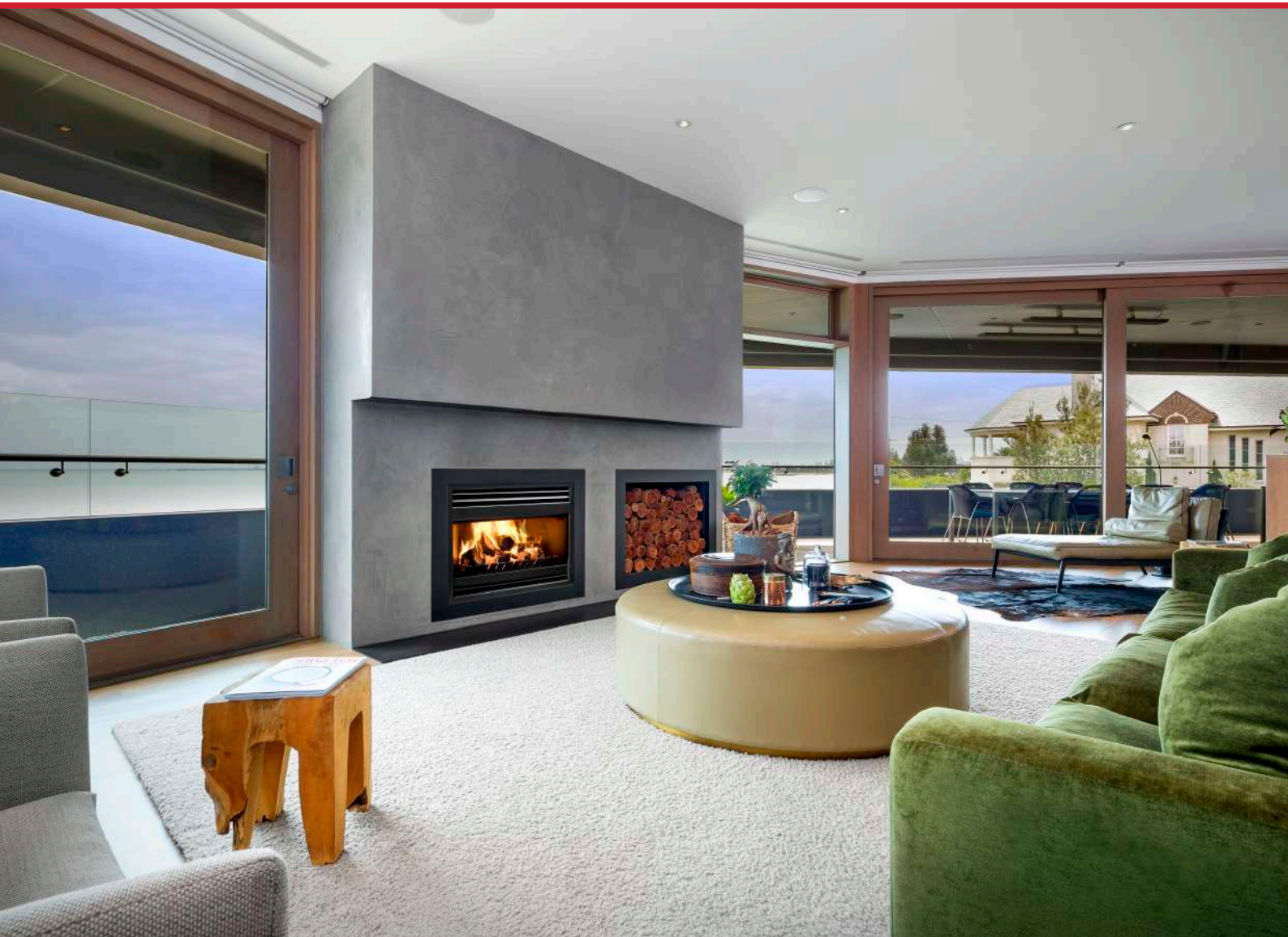


**hm**  
**HEATMASTER**  
**OPEN WOOD**  
**FIREPLACES**



atmosphere | warmth | style

EST 1979



# HEATMASTER OPEN WOOD FIREPLACES

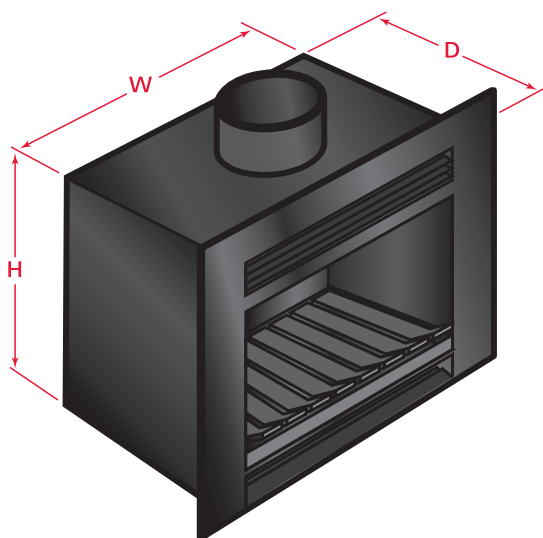
## About Us

Heatmaster is a family business which has been manufacturing, supplying and distributing fireplaces for over 35 years. With the original Heatmaster open wood fireplaces designed to simplify installation and improve the efficiency of a traditional brick chimney, we have evolved to include the award winning A series fully insulated fireboxes for even greater efficiency and more simplified installation into timber.

Working closely with many of Australia's leading architects, designers and builders Heatmaster pride ourselves on the service and experience that we can offer to ensure that you get the perfect fireplace to suit your needs. With both our head office and factory based in Melbourne, Heatmaster can work with you to create one off fascias, wood storage boxes etc. Heatmaster proudly distribute our products throughout Australia and New Zealand.



One off fascias and wood storage boxes can be custom made.



## Brick Installation Only

### B Series - Uninsulated firebox dimensions

Overall sizes for uninsulated units

Model	Height	Width	Depth	Height w/ flange	Width w/ flange
<b>B650</b>	595mm	680mm	380mm	647mm	806mm
<b>B750</b>	635mm	785mm	435mm	685mm	905mm
<b>B900</b>	695mm	935mm	480mm	730mm	1055mm

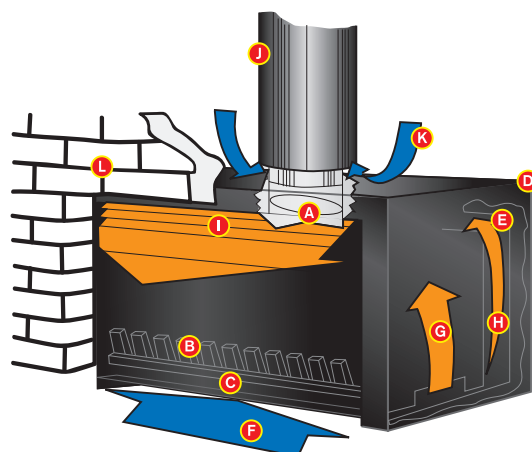
Allow up to 50mm for flue spigot height in addition to firebox height.

For full B Series installation instructions, please contact your Heatmaster dealer.

For additional installation information refer to AS/NZS 2918:2018.

## Components Diagram

- A** Damper with detachable handle
- B** Unique suspended firegrate
- C** Easy clean slide-in/slide-out ashtray
- D** Steel outer body
- E** Insulation
- F** Cool air into heat exchanger
- G** Air circulation paths via the side chamber
- H** Air circulation paths via the back chamber
- I** Heated air comes into room via outlet louvers
- J** Stainless Steel inner, PGI outer, flue is in easy to assemble sections
- K** Air Flow between inner & outer skins of flue
- L** Fireplace surround (enclosure) is built in your chosen material, hides all of Heatmaster unit, so all you see is the fire and the outlet louvers



## A Series Open Wood Fireplaces



**Easy to  
Install**



**Atmosphere  
& Warmth**



**Feature  
Piece**

The only open fire to be awarded the prestigious Australian Design Award, the Heatmaster open wood fire provides the ambience and the warmth of a wood fire with all of the quality and features of Heatmaster.

The design of your Heatmaster wood fire is limited only by your imagination. An extensive range of decorative fascias and finishes are available for the most contemporary to the traditional period style.

With the flexibility of our "A Series" fully insulated fireboxes which can be built into timber and plaster / gyprock frame without brickwork to our "B Series" uninsulated fireboxes which are designed to be installed into your existing chimney.

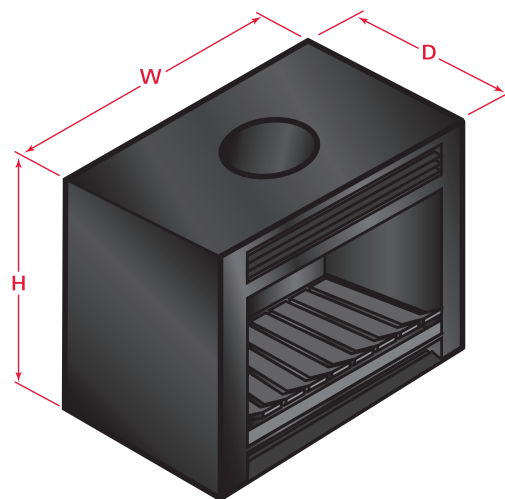
Some Key Features Of The Heatmaster Open Wood Fireplace:

- Winner of the Australian Design Award
- Thick 6mm lining of firebox
- 5 Sided heat exchange system for up to 8 times more efficiency
- Removable ashtray for easy cleaning
- Insulated models available for zero clearance installation (no brickwork required\*)



## Timber Installation

### A Series - Fully insulated firebox dimensions



Overall sizes for insulated units

Model	Height	Width	Depth
<b>A650</b>	680mm	838mm	470mm
<b>A750</b>	680mm	910mm	495mm
<b>A900</b>	740mm	1060mm	565mm

For full A Series installation instructions, please contact your Heatmaster dealer.

**Visit [heatmaster.com.au](http://heatmaster.com.au) for the latest information, images and FAQ**

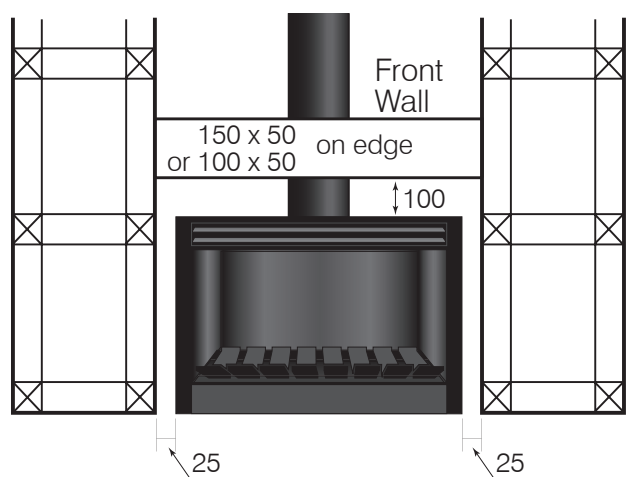


## Minimum Framing Dimensions on Non-combustible floor

Model No	A650	A750	A900
Height from non combustible floor	780mm	780mm	840mm
Width	890mm	960mm	1110mm
Depth "C"	505mm	530mm	600mm

PLEASE NOTE: Installation should be made in conjunction with the "A" series installation guide and must comply with all framing, fluing, hearth details and clearances.

ELEVATION VIEW

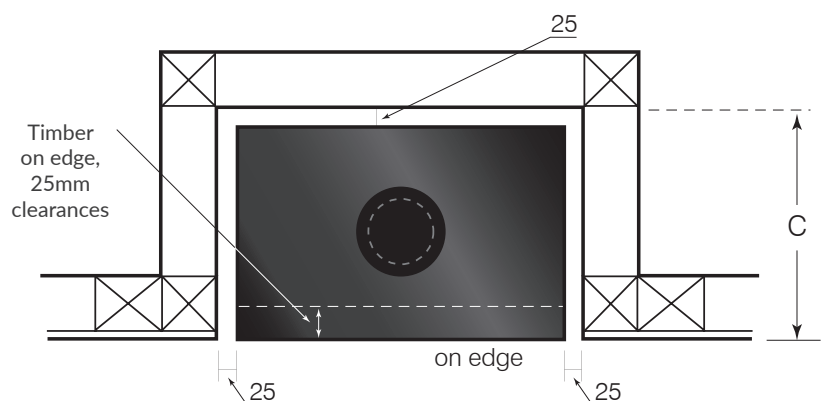


## Minimum Framing Dimensions using standard hearth on combustible floor

Model No	A650	A750	A900
Height from combustible floor	818mm	818mm	878mm
Width	890mm	960mm	1110mm
Depth "C"	505mm	530mm	600mm

PLEASE NOTE: Installation should be made in conjunction with the "A" series installation guide and must comply with all framing, fluing, hearth details and clearances.

PLAN VIEW

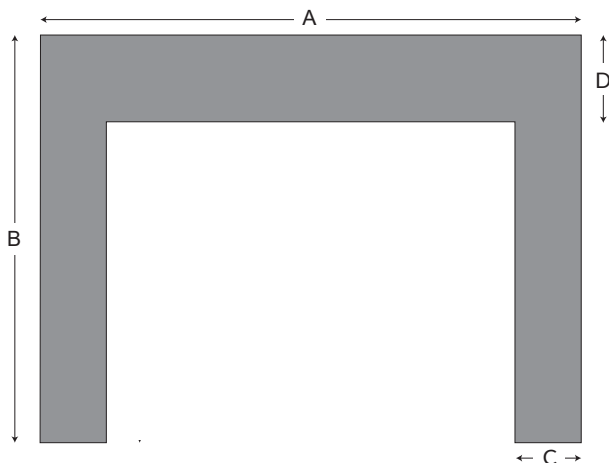
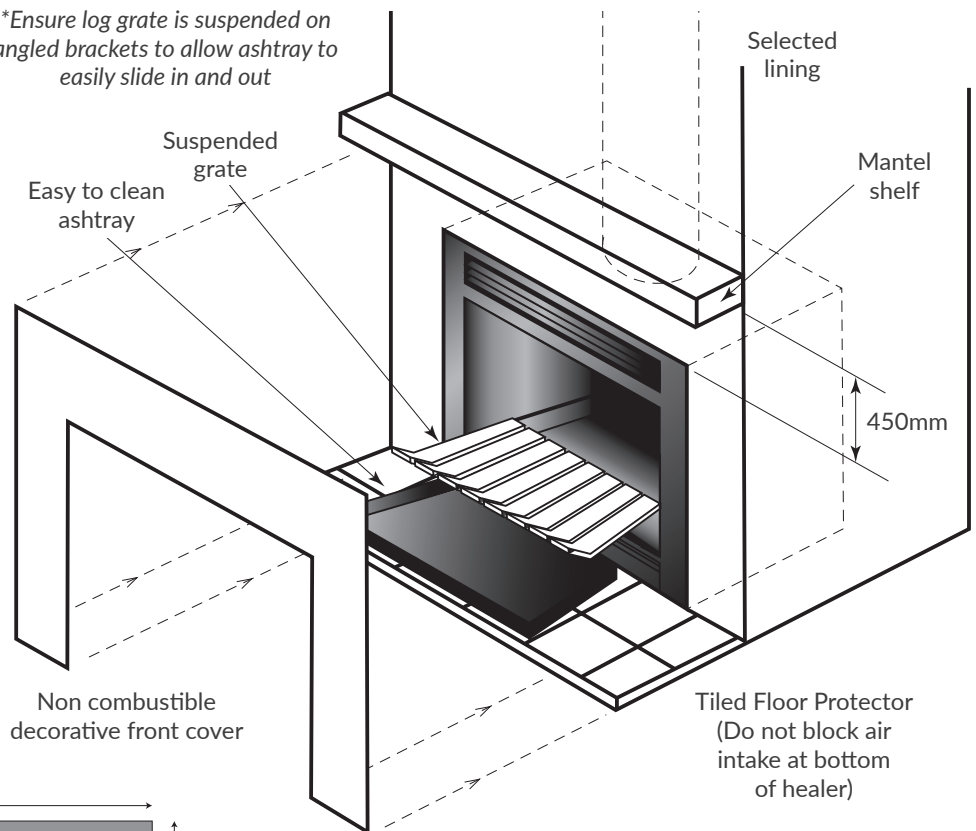




## Finishing your Heatmaster installation

PLEASE NOTE: Installation should be made in conjunction with the "A" series installation guide and must comply with all framing, fluing, hearth details and clearances.

\*Ensure log grate is suspended on angled brackets to allow ashtray to easily slide in and out



## Fascia Dimensions

Model	A	B	C	D
650	980mm	800mm	150mm	200mm
750	1100mm	825mm	165mm	190mm
900	1200mm	900mm	140mm	200mm

\*4-sided fascia available.  
Please visit the website for dimensions.



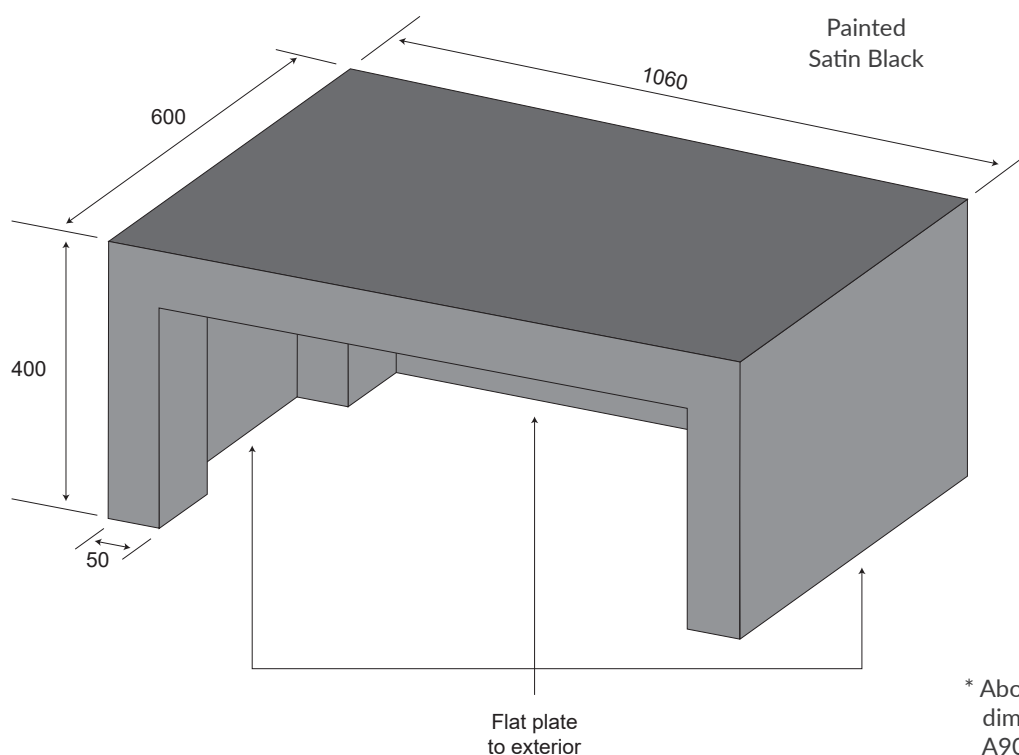
## Heatmaster open wood fireplace stand to suit the insulated firebox "A" Series units

Heatmaster open wood fireplace stand suits the A650, A750 and A900 firebox. When installing your Heatmaster open wood fireplace stand be sure to read the following dimensions carefully and in conjunction with the "A" series installation guide. Be sure to comply with all framing, fluing and hearth clearances.

Model	Stand Height	Stand Width	Stand Depth
A650	400mm	838mm	505mm
A750	400mm	910mm	530mm
A900	400mm	1060mm	600mm

*PLEASE NOTE: Installation should be made in conjunction with the "A" series installation guide and must comply with all framing, fluing, hearth details and clearances.*

\* For firebox dimensions see page one.



\* Above illustration dimensions to suit A900 firebox.



Heatmaster A Series Open Fire with Firebox situated in Modscape home. Photography by John Madden.

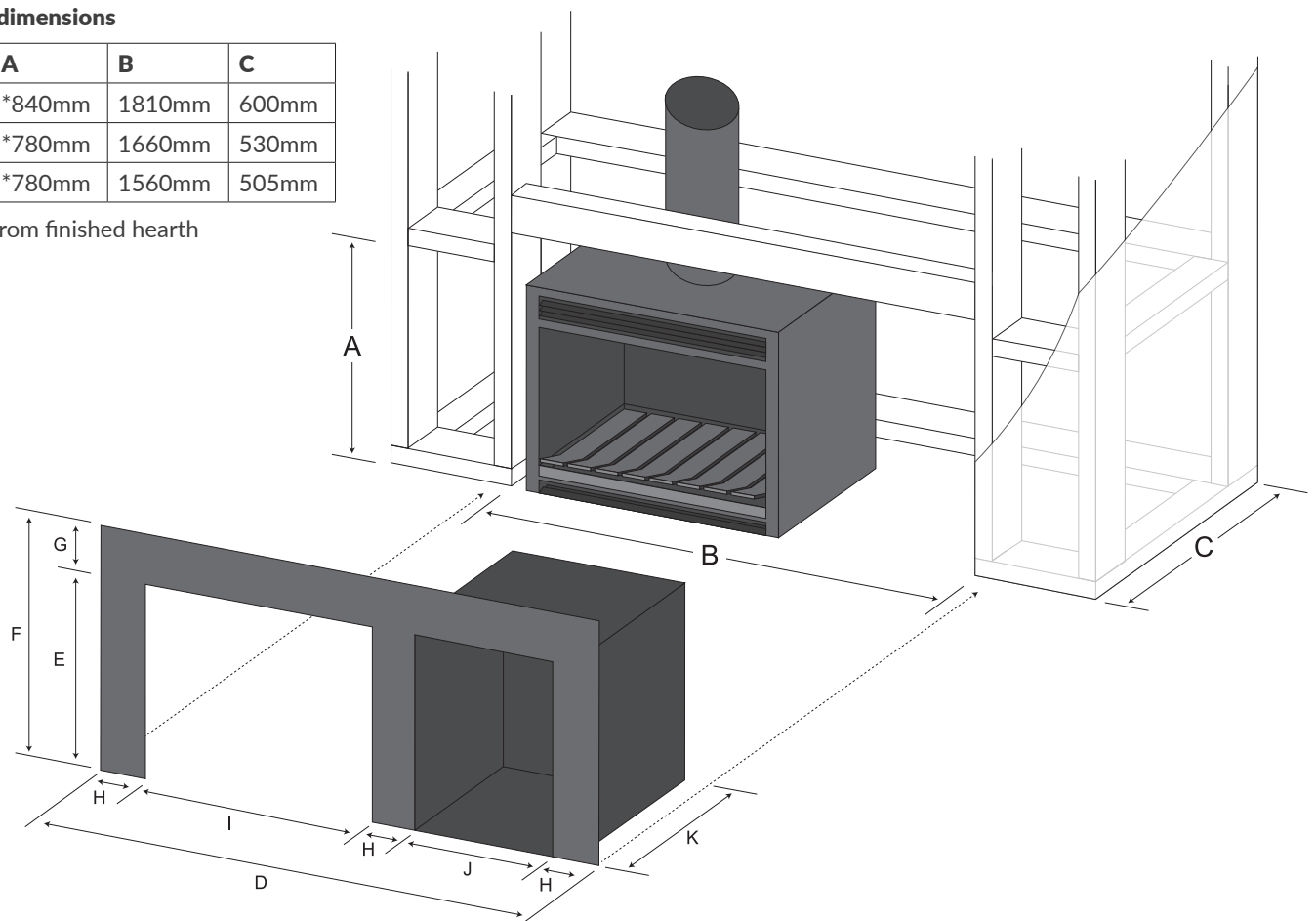
## Heatmaster fascia wood box to suit the insulated firebox "A" Series units

The Heatmaster fascia wood box is available to suit the A650, A750 and A900 open firebox. When installing your fascia wood box please be sure to read the following dimensions carefully and in conjunction with the "A" series installation guide\*. Be sure to comply with all framing, fluing and hearth clearances.

### Framing dimensions

	A	B	C
<b>A900</b>	*840mm	1810mm	600mm
<b>A750</b>	*780mm	1660mm	530mm
<b>A650</b>	*780mm	1560mm	505mm

\*Height from finished hearth



### Heatmaster Fascia wood box dimensions

	D	E	F	G	H	I	J	K
<b>A900</b>	1860mm	710mm	870mm	160mm	140mm	940mm	500mm	565mm
<b>A750</b>	1710mm	645mm	805mm	160mm	140mm	790mm	500mm	495mm
<b>A650</b>	1610mm	615mm	795mm	180mm	140mm	690mm	500mm	470mm

*PLEASE NOTE: Installation should be made in conjunction with the "A" series installation guide and must comply with all framing, fluing, hearth details and clearances.*

**hm**  
**HEATMASTER**  
**OPEN WOOD**  
**FIREPLACES**

 [instagram.com/heatmaster\\_au](https://www.instagram.com/heatmaster_au)



**Heatmaster Head  
Office & Showroom:**

2/9 Nicole Close,  
Bayswater North, VIC 3153

(03) 9761 7130

[heatmaster.com.au](https://www.heatmaster.com.au)  
[info@heatmaster.com.au](mailto:info@heatmaster.com.au)

EST 1979