



# blaze

[blazefireplaces.com.au](http://blazefireplaces.com.au)

# CONTENTS

<b>INTRODUCTION</b>	<b>3</b>
<b>Z1 - LEGS &amp; WOODSTACKER</b>	<b>4</b>
<b>Z2 - LEGS, WOODSTACKER &amp; ASH</b>	<b>6</b>
<b>Z3 - LEGS, WOODSTACKER &amp; ASH</b>	<b>8</b>
<b>SUPPORTING COLLATERAL</b>	<b>11</b>

**blaze**

# INTRODUCTION



Step into the world of wood fires with the Blaze Z Series. Bring a modern aesthetic and the simple pleasure of real wood warmth into everyday homes. With its clean, contemporary look and inviting flame presence, a Blaze fire becomes more than a heating choice - it becomes the heart of your home, perfect for unwinding after work, hosting friends, or creating those quiet moments that make a house feel truly lived-in.

Designed in Australia for Australian homes, the Z1, Z2 and Z3 models have been thoughtfully crafted to suit a wide variety of room sizes, interior styles and budgets without compromising on performance.

Reflecting the Blaze mission of being affordably beautiful for every home the Z Series offers practical configuration choices that make selection simple: choose from legs, woodstacker or ashpan to tailor the fireplace to your requirements and complete a homely atmosphere that only a real wood fire can deliver. Heating between 9.2kW to 12.3kW with emissions as low as 0.6g/kg, this range will warm small to medium and large homes.

The Z Series features a clean design language built around simplicity. The refined top plate and updated fascia which introduces a black-bordered glass and a slim steel edged door for a more contemporary aesthetic. The matching brushed stainless steel handles create a seamless, uncluttered look while the floating twin-skin construction adds visual depth and quality across the entire range.



# Z1 | LEGS & WOODSTACKER



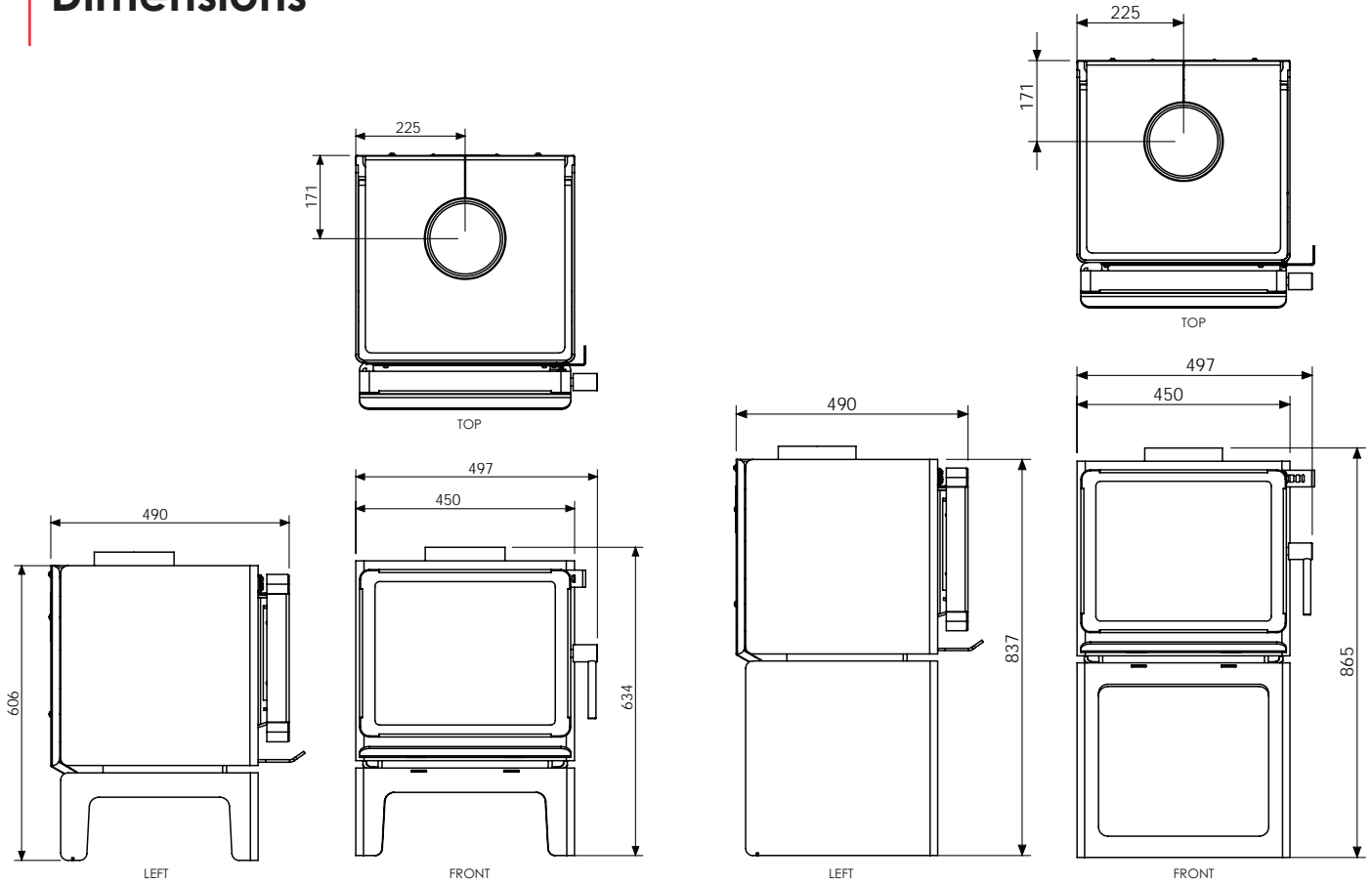
MODEL	COVERAGE	EFFICIENCY	AVE. HEAT OUTPUT	EMISSIONS	MAX LOG SIZE	HEATING STYLE	WEIGHT	FIREBOX SIZE (WxDxH)
Z1 Legs	160m <sup>2</sup>	65%	10.8kW	0.6g/kg	350mm	Radiant	91kg	390 x 340 x 290
Z1 WS	160m <sup>2</sup>	65%	10.8kW	0.6g/kg	350mm	Radiant	107kg	390 x 340 x 290



Z1 PRICE STARTING FROM RRP \$1,099 Inc. GST

Refer to the price list for full details

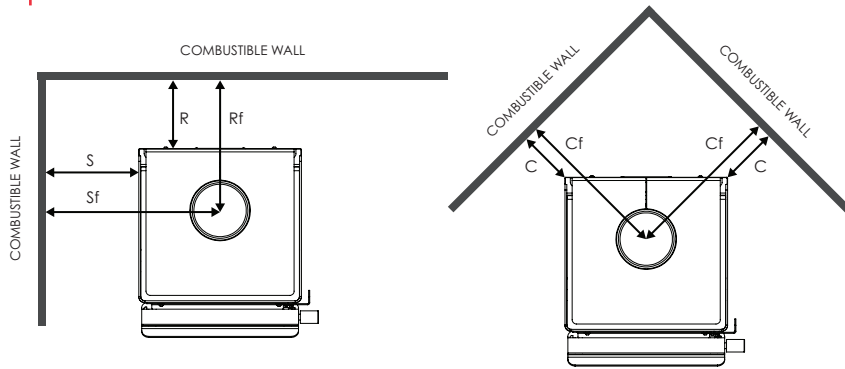
# Dimensions



Z1 LEGS

Z1 WOODSTACKER

# Clearances



## STANDARD INSTALLATION

Solid flue shield OR Single rear shield OR Insulated

**S** (Side) 700mm

**R** (Rear) 150mm

**Sf** (Side to flue) 925mm

**Rf** (Rear to flue) 321mm

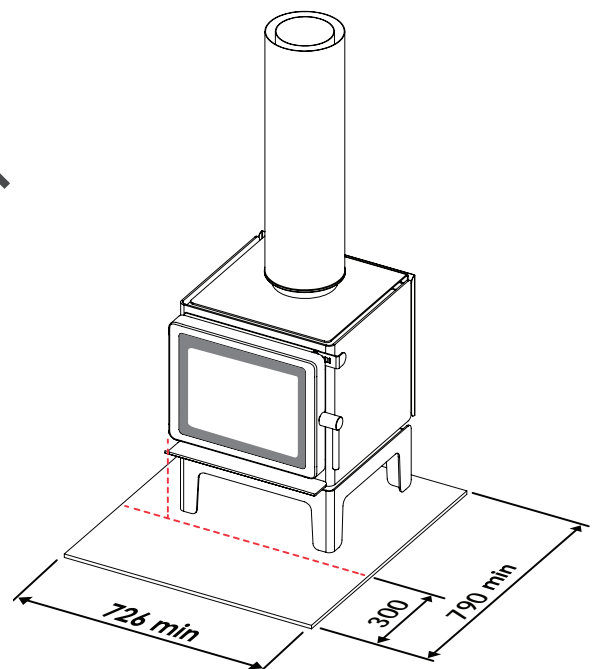
## CORNER INSTALLATION

Solid flue shield OR Single rear shield OR Insulated

**C** (Corner) 450mm

**Cf** (Corner to flue) 729mm

# Floor Protector



All measurements are in mm. Please refer to the latest IOM for unit and installation dimensions

# Z2 | LEGS, ASH & WOODSTACKER



MODEL	COVERAGE	EFFICIENCY	AVE. HEAT OUTPUT	EMISSIONS	MAX LOG SIZE	HEATING STYLE	WEIGHT	FIREBOX SIZE (WXDXH)
Z2 Legs	200m <sup>2</sup>	67%	9.2kW	1.0g/kg	400mm	Fan Forced Convection	140kg	450 x 350 x 290
Z2 WS	200m <sup>2</sup>	67%	9.2kW	1.0g/kg	400mm	Fan Forced Convection	157kg	450 x 350 x 290
Z2 ASH	200m <sup>2</sup>	67%	9.2kW	1.0g/kg	400mm	Fan Forced Convection	158kg	450 x 350 x 290

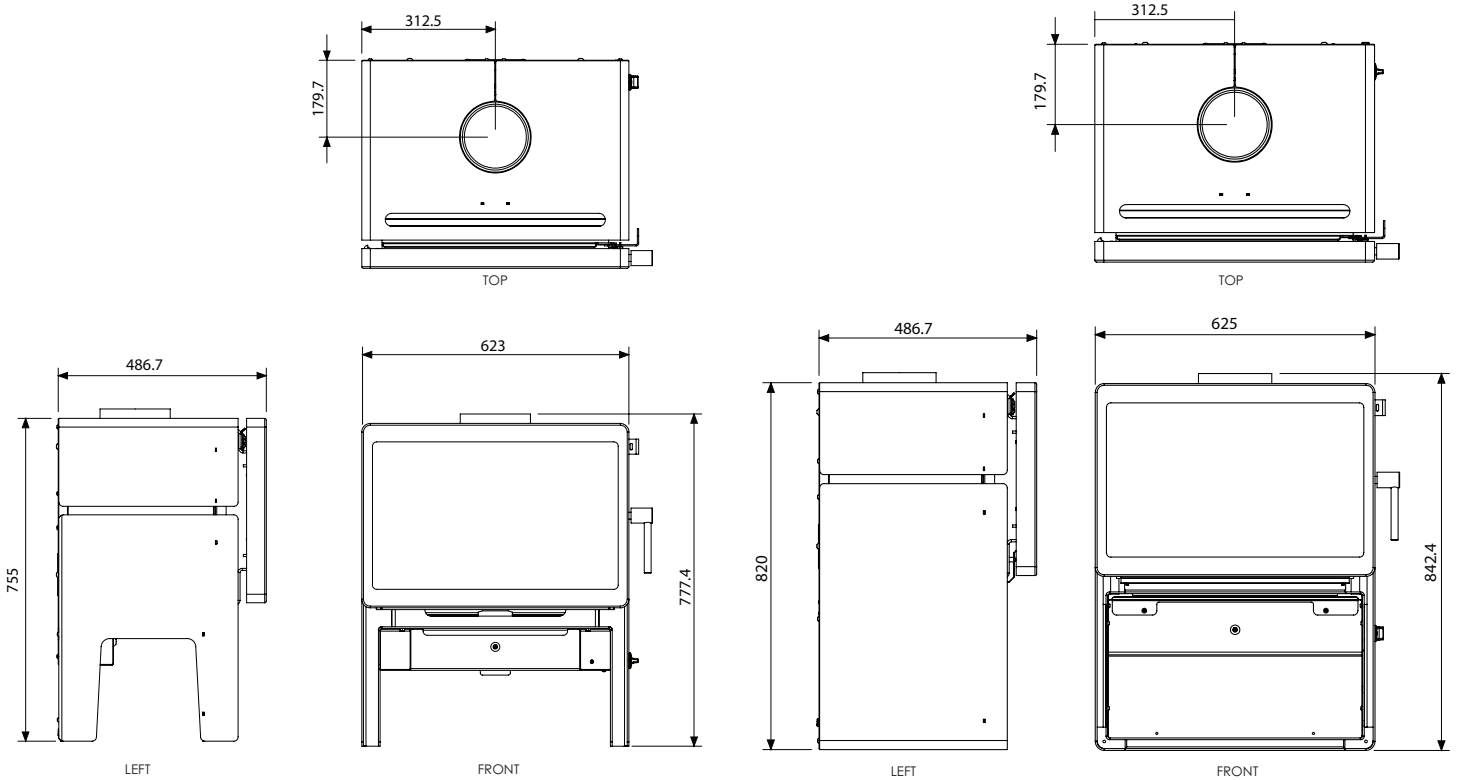
Built-in 3 speed, manual switch operated fan to boost heat circulation



Z2 PRICE STARTING FROM RRP \$2,199 Inc. GST

Refer to the price list for full details

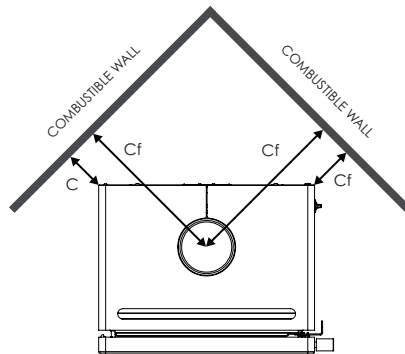
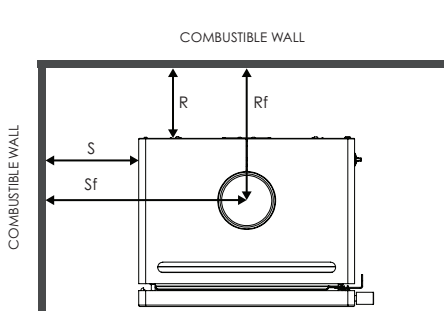
# Dimensions



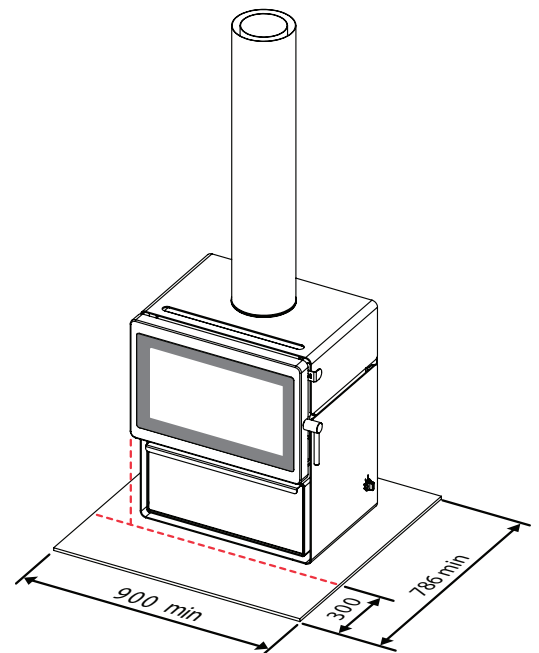
Z2 LEGS & ASH

Z2 WOODSTACKER

# Clearances



# Floor Protector



STANDARD INSTALLATION		
	Solid flue shield	Insulated
<b>S</b> (Side)	350mm	350mm
<b>R</b> (Rear)	150mm	175mm
<b>Sf</b> (Side to flue)	663mm	663mm
<b>Rf</b> (Rear to flue)	330mm	355mm

CORNER INSTALLATION	
	Solid flue shield OR Insulated
<b>C</b> (Corner)	150mm
<b>Cf</b> (Corner to flue)	498mm

All measurements are in mm. Please refer to the latest IOM for unit and installation dimensions

# Z3 | LEGS, ASH & WOODSTACKER



MODEL	COVERAGE	EFFICIENCY	AVE. HEAT OUTPUT	EMISSIONS	MAX LOG SIZE	HEATING STYLE	WEIGHT	FIREBOX SIZE (WXDXH)
Z3 Legs	200-260m <sup>2</sup>	63%	12.3kW	0.6g/kg	500mm	Fan Forced Convection	202kg	548 x 368 x 284
Z3 WS	200-260m <sup>2</sup>	63%	12.3kW	0.6g/kg	500mm	Fan Forced Convection	225kg	548 x 368 x 284
Z3 ASH	200-260m <sup>2</sup>	63%	12.3kW	0.6g/kg	500mm	Fan Forced Convection	226kg	548 x 368 x 284

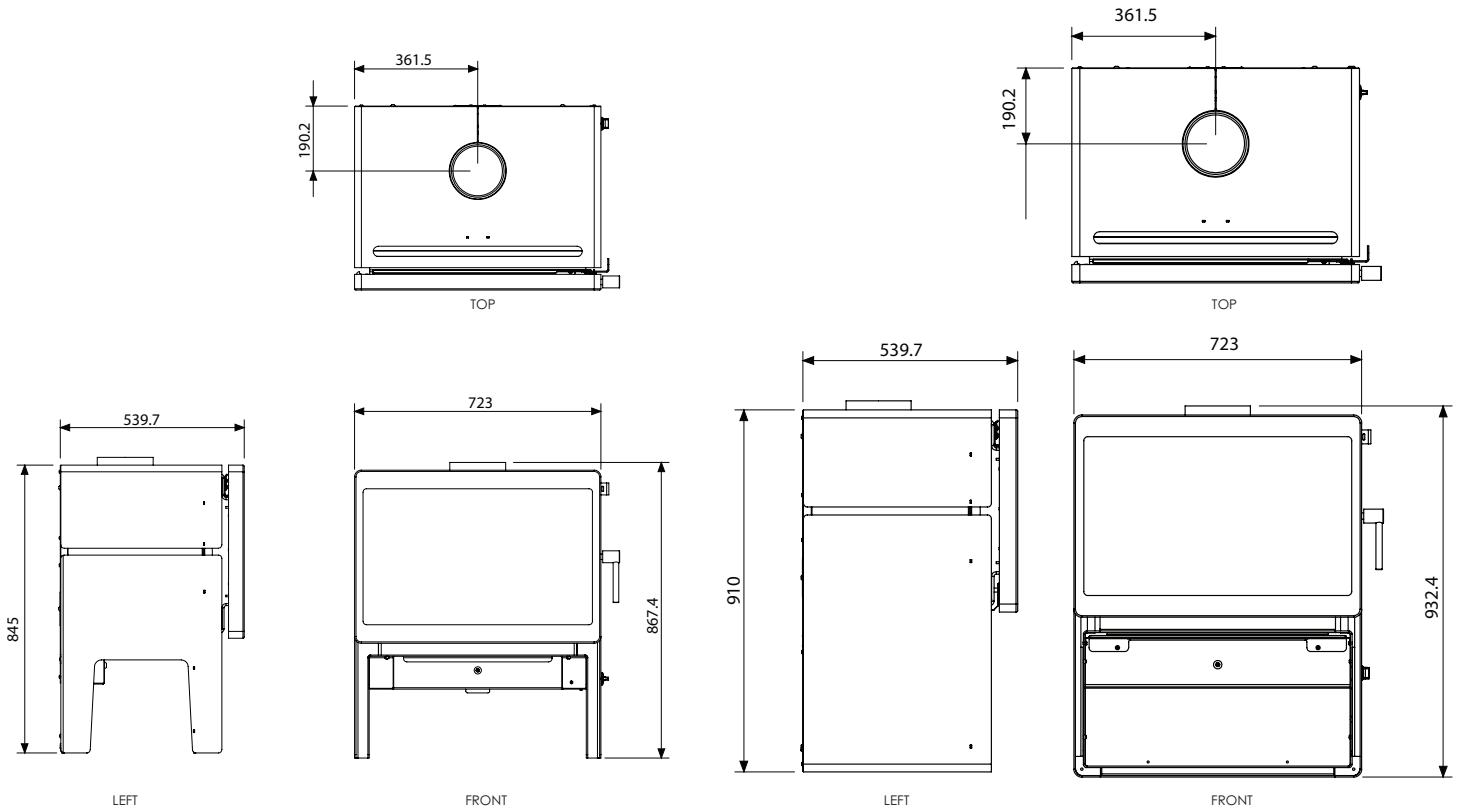
Built-in 3 speed, manual switch operated fan to boost heat circulation



Z3 PRICE STARTING FROM RRP \$2,599 Inc. GST

Refer to the price list for full details

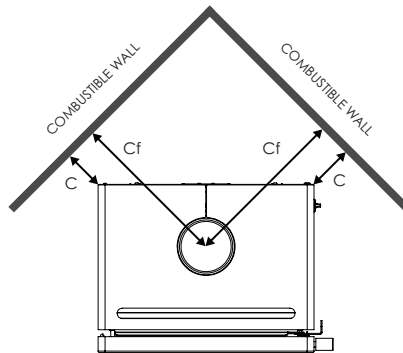
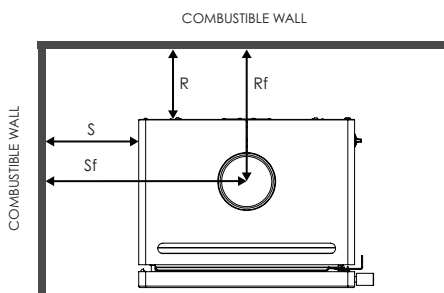
# Dimensions



Z3 LEGS & ASH

Z3 WOODSTACKER

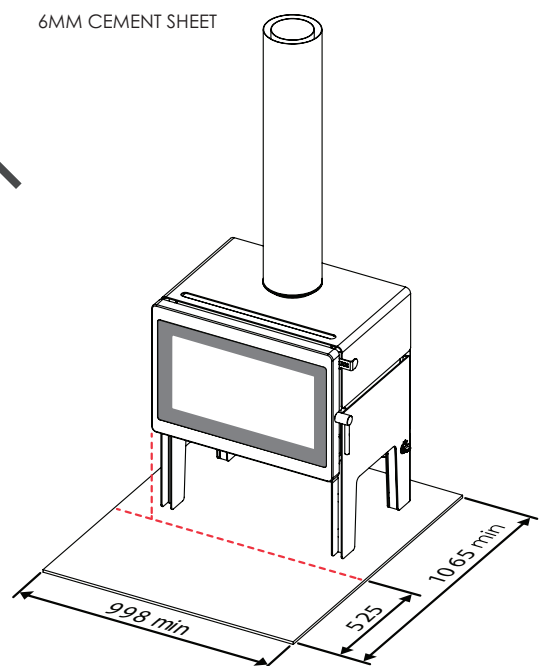
# Clearances



STANDARD INSTALLATION		
	Solid flue shield	Insulated
<b>S</b> (Side)	400mm	400mm
<b>R</b> (Rear)	200mm	250mm
<b>Sf</b> (Side to flue)	762mm	762mm
<b>Rf</b> (Rear to flue)	390mm	440mm

CORNER INSTALLATION	
	Solid flue shield OR Insulated
<b>C</b> (Corner)	150mm
<b>Cf</b> (Corner to flue)	540mm

# Floor Protector



REFER TO THE MANUAL FOR OTHER HEARTH OPTIONS

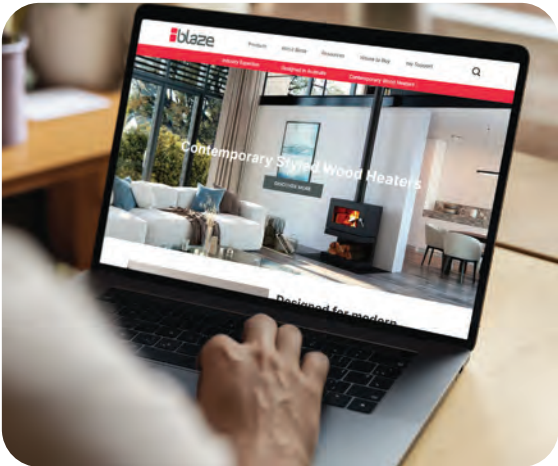


# SUPPORTING COLLATERAL

IOM & Pricing



Images



Webpage



Brochure

Resources available through link

Contact your Blaze representative for further clarification and queries.



Glen Dimplex Australia  
8 Lakeview Drive  
Scoresby VIC 3179  
T 1300 554 155  
[glendimplex.com.au](http://glendimplex.com.au)