

KS1150 Peninsula 400

Information Sheet for Builders and Architects

MODE

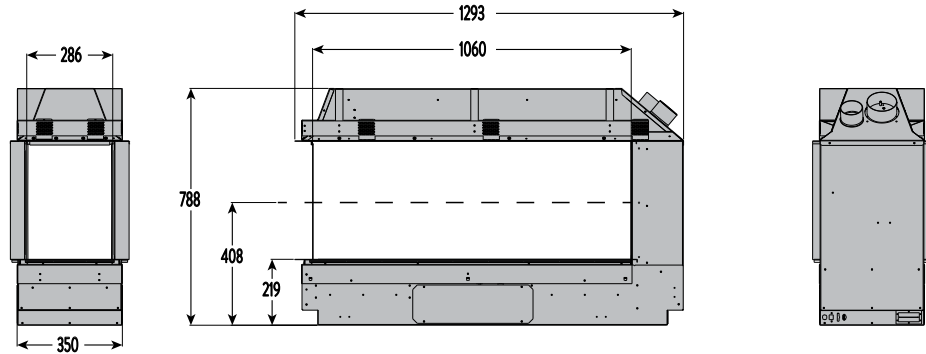


For more detail, contact the
Escea architectural advisory team
email : aa@escea.com
NZ phone : 0800 17 3000
AU : 1800 460 832
WA : 1800 730 140

Appliance Information

Specifications

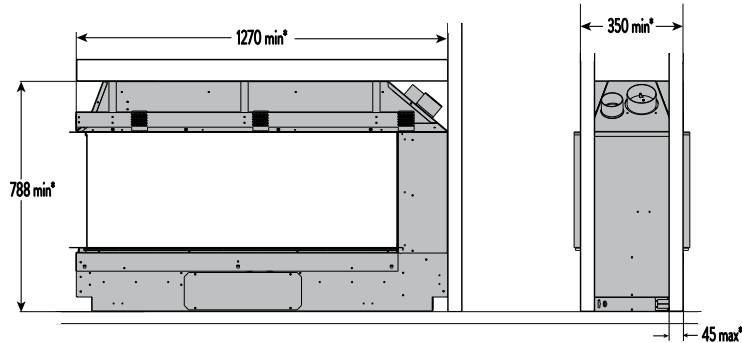
Heat Output	7.8 kW
Gas Input / Consumption	33 MJ/hr
Gas Connection	Lower centre of appliance, 1/2" BSP
Gas Type	Natural Gas / ULPG (NZ) / Propane
Power Requirement	3 pin earthed 230V switched power outlet to be within 1.0m of right side of the appliance.
Appliance Weight	140kg



KS1150 Peninsula 400 Chassis Dimensions (mm)

Cavity Construction

Minimum Framing Dimensions (mm):
NOTE UNIT IS NON LOAD BEARING



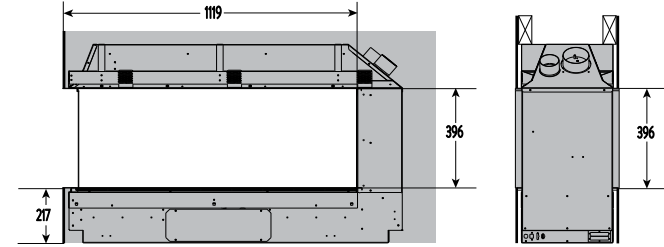
Wall Lining Dimensions

Minimum Wall lining Dimensions (mm)

The appliance must be installed prior to and behind the finished wall surface. Take into account any plaster board, tiles or any other finishing surface that may be intended for the finished wall surface.

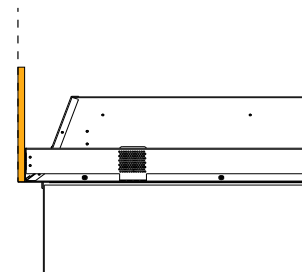
Wall finishing materials must not encroach upon the minimum cavity clearances shown.

The wall board that lines the outside of the opening can be normal 13mm plaster board and does not need to be non-combustible.

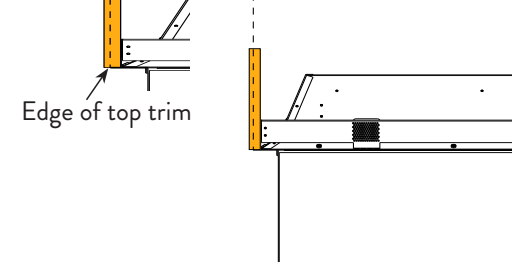


If the wall lining used protrudes past the top trim, non-combustible material MUST be used
(see image below, dashed line represents edge of trim)

Combustibles
OK



Non-Combustibles
needed

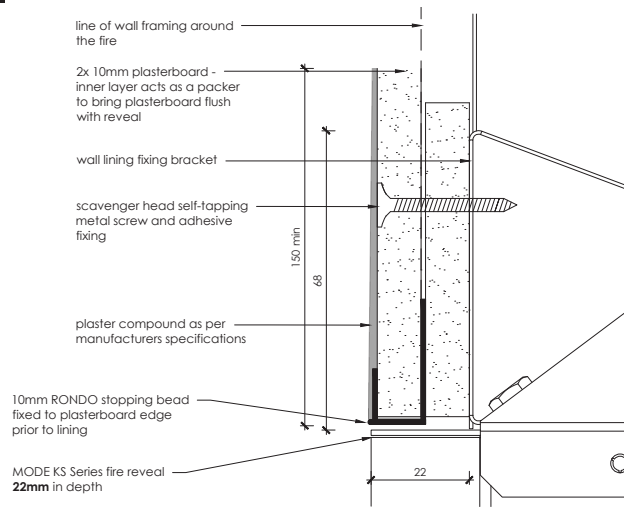


Please NOTE : Keep This wooden support in place until install has been completely finished.



Frameless Finishing

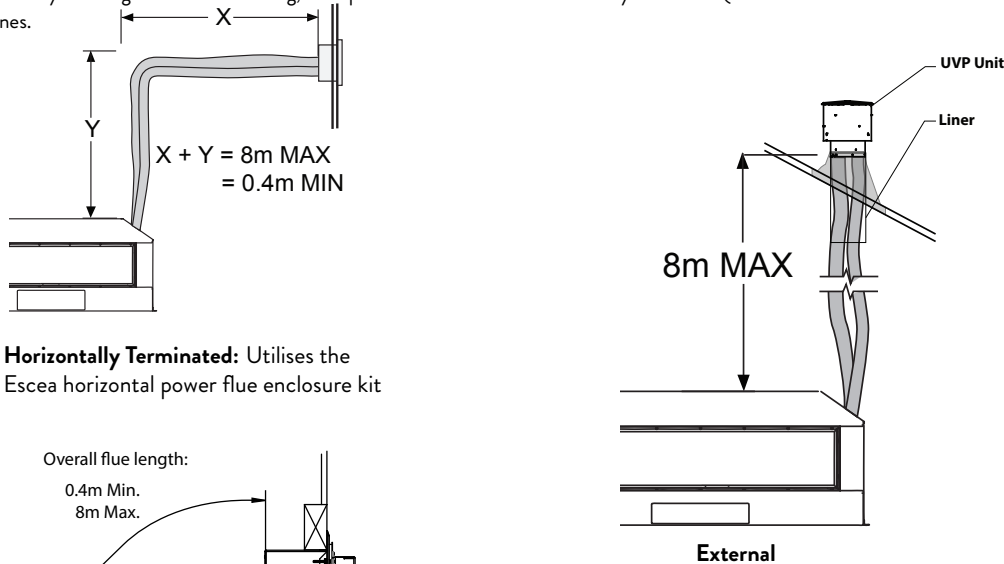
Finishing Detail:



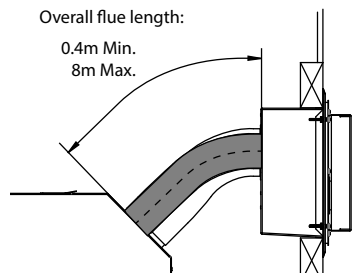
Flue Information

Flue Configuration (If less than 8m flue length is required)

If your flue system is less than 8m long (as shown in the diagrams below), then a simple aluminium flexible flue is required. If your flue system is greater than 8m long, then please contact the Escea Advisory Team at aa@escea.com for further guidelines.



Horizontally Terminated: Utilises the Escea horizontal power flue enclosure kit



Minimum Flue Length

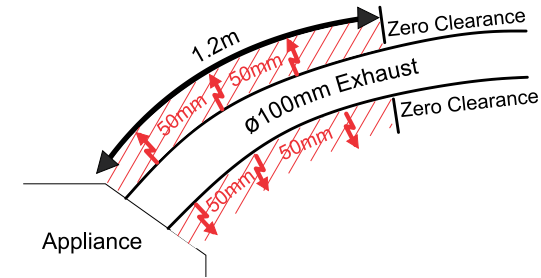
Vertically Terminated: Utilises the Escea vertical power flue enclosure kit

Clearances

Chassis and Flue Clearance

The fire chassis is zero clearance rated.

A 50mm clearance must be maintained from the exhaust flue for the first 1.2m of flexi flue from the appliance (see diagram below).

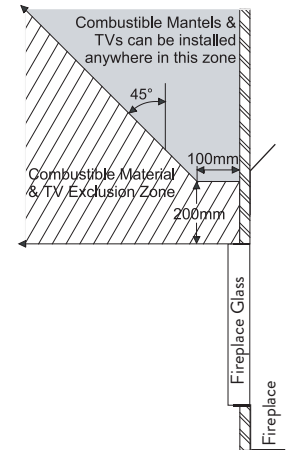


Television Clearances

The diagram (shown right) shows the recommended minimum clearances for the location of any electrical equipment (such as Plasma TV, LCD TV or home theatre) above a KS1150 gas fire. A mantel/recess is not required to comply with our recommendation of TV installation.

Note: dimensions from the top edge of the glass frame.

Note: The television clearance recommendations below are to be treated as a suggestion of a suitable installation only. It is the responsibility of the end user to check the installation instructions of their electrical appliances to ensure that the location in relation to the gas fire is suitable. Escea in no way guarantees or takes responsibility that the above installation suggestion will be suitable for all electrical or home entertainment appliances.



Mantel Clearance

Please refer to the diagram. Mantels or protruding ledges above the heater must not be installed lower than the dimension shown.

Note: dimension from the top edge of the glass frame.

Cavity Base

This appliance **MUST** be fully supported on its base, over the entire area of the underside of the appliance. The base must also be level and strong enough to support the total product weight, which is approximately **120kg**.

The fireplace can be recessed into the ground but must maintain clearances detailed in the diagram shown right.

The fireplace must be seismically restrained in a manner appropriate to the installation location.

