

SILVER PLUS

Instruction Book

AUSTRALIA





Lacunza congratulates you on your choice.
Certified under ISO 9001, Lacunza guarantees the quality of its appliances and undertakes to meet the needs of its customers.

Confident of the know-how afforded by more than 50 years' experience, Lacunza uses advanced technologies in the design and manufacture of its entire range of appliances. This document will help you install and use your appliance in optimum conditions for your comfort and safety.

CONTENTS

1. PRESENTATION OF THE APPLIANCE	3
1.1. General characteristics.....	3
2. INSTRUCTIONS FOR THE INSTALLER.....	6
2.1. Warning to installers.....	6
2.2. Room for installation.....	6
2.2.1. Ventilation of the room.....	6
2.2.2. Location of the appliance in the room.....	6
2.3. Installation of the appliance.....	7
2.3.1. Floor.....	7
2.3.2. Safety distances.....	7
2.3.3. Checks before lighting for the first time.....	7
2.3.4. Height adjustment and levelling the appliance.....	7
2.3.5. Casing.....	8
2.3.6. Connection to the flue.....	9
2.3.7. Piping air to other rooms.....	9
2.3.8. Exterior Frame. Removal and assembly	10
2.3.1. Turbine-potentiometer connection	11
2.4. Chimney flue.....	11
2.4.1. Type of flue.....	12
2.4.2. Chimney crown.....	12
3. INSTRUCTIONS OF USE	14
3.1. Fuel.....	14
3.2. Description of the parts of the appliance	15
3.2.1. Operating components	15
3.3. Lighting.....	16
3.4. Loading fuel.....	16
3.5. Operation	16
3.6. Removing ash	17
3.7. Deflectors	17
4. MAINTENANCE AND IMPORTANT ADVICE.....	19
4.1. Maintenance of the appliance.....	19



4.1.1. Firebox19

4.1.2. Inside the appliance19

4.1.3. Flue socket19

4.1.4. Firebox glass.....19

4.1.5. Painted sheet-steel-cast-iron parts.....19

4.1.6. Air intake registers19

4.2. Maintenance of the chimney flue..... 20

4.3. Important advice..... 20

5. TROUBLESHOOTING..... 21

6. BASIC BREAKDOWNS 22

7. CERTIFICATE OF COMPLIANCE24

1. PRESENTATION OF THE APPLIANCE

For optimum operation of the appliance, we advise you to read this manual carefully before switching on the appliance for the first time. In case of problems or concerns, we urge you to contact your dealer, who will cooperate with you.

In order to improve the product, the manufacturer reserves the right to make changes without notice by updating this document.

This appliance is designed to burn wood in absolutely safe conditions.

WARNING: Faulty installation may have serious consequences.

Installation and all necessary regular maintenance operations must be performed by an authorized installer in full accordance with the specifications set out in the legislation applicable in each country and this instruction book.

1.1. General characteristics

	Unit	Silver 800	Silver 1000	
MAXIMUM AVERAGE HEAT OUTPUT BURNING HARDWOOD	kW	6,7	7.9	
OVERALL AVERAGE EFFICIENCY BURNING HARDWOOD	%	70	65	
PARTICULATE EMISSIONS FACTOR	g/kg	0,9	0.7	
HIGH BURN	Average power (high primary air settings)	kW	6,7	7.9
	Average Peak Power	kW	10	11.3
	Efficiency (high primary air settings)	%	66	60
	Average dry fuel consumption rate (high primary air settings)	Kg/hr	1,9	1.6
	Particulate emission factor oven dry wood (high primary air settings)	g/kg	0,7	0.3
MEDIUM BURN	Average power (medium primary air settings)	kW	4,7	6.3
	Efficiency (medium primary air settings)	%	68	68
	Average dry fuel consumption rate (medium primary air settings)	Kg/hr	1,3	1.6
	Particulate emission factor oven dry wood (medium primary air settings)	g/kg	0,7	0.8
LOW BURN	Average power (low primary air settings)	kW	3,7	4.4
	Efficiency (low primary air settings)	%	75	68
	Average dry fuel consumption rate (low primary air settings)	Kg/hr	0,9	1.1
	Particulate emission factor oven dry wood (low primary air settings)	g/kg	1,4	456
Dimensions of the firebox				
Width	mm	695	890	
Depth	mm	335	335	
Useful height	mm	170-240	174-245	
Length of the logs	cm	24	36	
Capacity of the ashpit	L	1,5	1.5	
Weight	kg	107	132	
Flue socket diameter	mm	200	200	

Warning: this appliance is designed and prepared to work with the types of fuel, degree of humidity of the fuel, fuel loads, fuel load frequencies, flue draught and system of installation indicated in this Instruction Book. Failure to respect these conditions may lead to problems with the appliance (deterioration, shorter useful life, etc.) which are not covered by the Lacunza warranty.

To obtain these data, tests have been done on the standards AS/NZS 4012 (2014), AS/NZS 4013 (2014) and AS/NZS 2918 (2018), with eucalyptus wood.

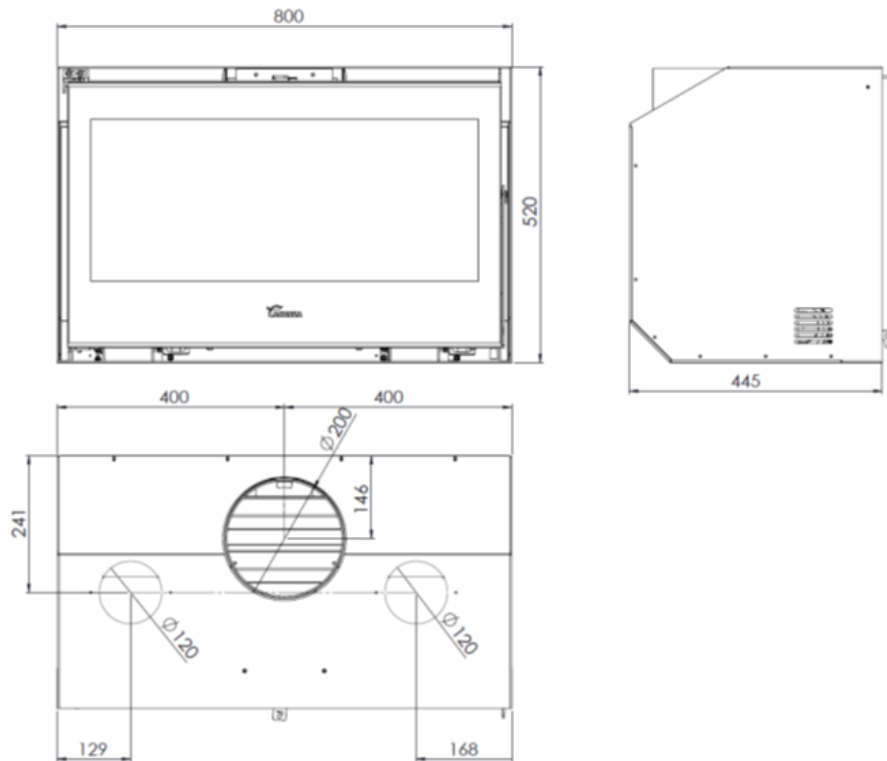


Figure No.1 - Dimensions of the SILVER 800 PLUS appliance in mm

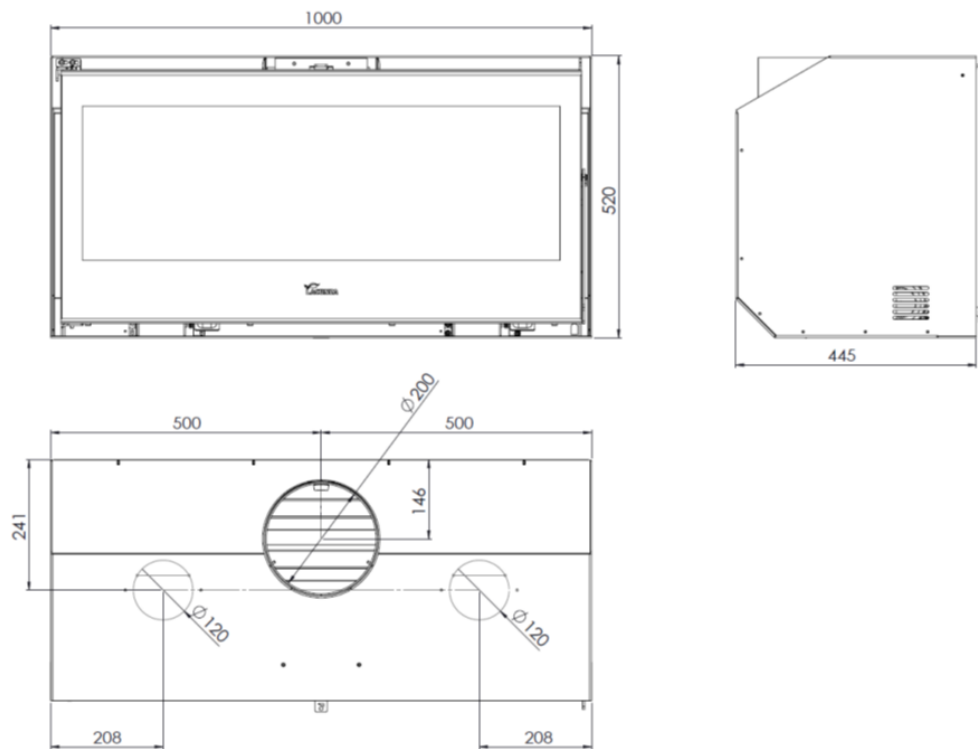


Figure No.2 - Dimensions of the SILVER 1000 Plus appliance in mm

2. INSTRUCTIONS FOR THE INSTALLER

2.1. Warning to installers

All local and national regulations, including all those referring to national and European standards, must be observed when installing the appliance.

Installation of the appliance must be performed by an authorised installer.

An incorrectly installed appliance may lead to serious incidents (fires, creation of harmful gases, deterioration of nearby fixtures, etc.).

Lacunza's liability is limited to the supply of the material and does not include installation of the appliance.

2.2. Room for installation

2.2.1. Ventilation of the room

The appliance needs to consume oxygen (air) in order to work properly. Ensure a suitable air supply in the room in which the appliance is fitted. This quantity of oxygen is additional to the oxygen that we need in order to breathe (air renewal).

In order to ensure the high quality of the air you breathe and to avoid potential accidents resulting from high concentrations of the gases produced by combustion (mainly carbon dioxide and carbon monoxide), it is absolutely crucial to ensure the suitable renewal of the air in the room in which the appliance is fitted.

the room must always have at least two permanent grilles or openings to the exterior in order to renew the air (one for intake and the other for extraction).

For the installation of its appliances, Lacunza recommends an additional section for these openings. One of these two grilles must be situated high up in the room (at less than 30 cm from the ceiling)

and the other one low down (at less than 30 cm from the floor). Both grilles must open outdoors in order to renew the air in the room with fresh air.

The minimum section that each of these grilles must have depends on the nominal output of the appliance in accordance with the following table:

Output of the appliance (kW)	Minimum additional section of each of the grilles (cm ²)
$P \leq 10\text{kW}$	70
$10 < P \leq 15$	90
$15 < P \leq 20$	120
$20 < P \leq 25$	150
$25 < P \leq 30$	180
$30 < P \leq 35$	210
$P > 35$	240

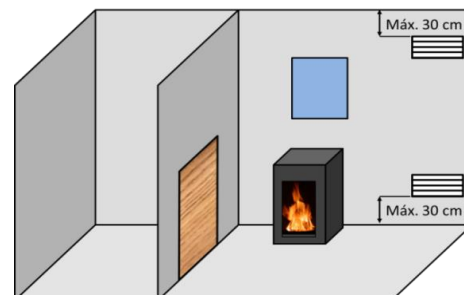


Figure No.3 - Guideline indications for ventilation grilles

The appliance must always be used with the door(s) closed.

In rooms equipped with Controlled Mechanical Ventilation, the system extracts and renews the ambient air; in such cases, the room is at slightly low pressure and it is necessary to install a non-closable outside-air inlet with a section of at least 90 cm².

2.2.2. Location of the appliance in the room

Choose a location in the room which favours good hot-air distribution by convection and radiation.

2.3. Installation of the appliance

2.3.1. Floor

Make sure that the base can withstand the total constructed weight of the appliance and its casing.

When the floor surface (base) is combustible, fit suitable insulation.

Silver 1000 Plus

A minimum 450mm deep x 1045mm wide x 50mm thick floor protector (Skamol board) should be used under the appliance base when installing the appliance (see joint AS/NZS 2918:2018 3.3.2). A minimum 550mm deep x 1285mm wide x 36mm thick floor protector (compressed board) should be used in front of the appliance door and be placed centrally in the 1285mm width. The Thermal resistivity of the 50mm skamol board floor protector is $0.74\text{m}^2.\text{K}/\text{W}$. The Thermal resistivity of the floor protector is $0.16\text{m}^2.\text{K}/\text{W}$ for 36mm thick compressed board sheets.

2.3.2. Safety distances

Be sure to respect the appliance installation distances from **combustible materials**.

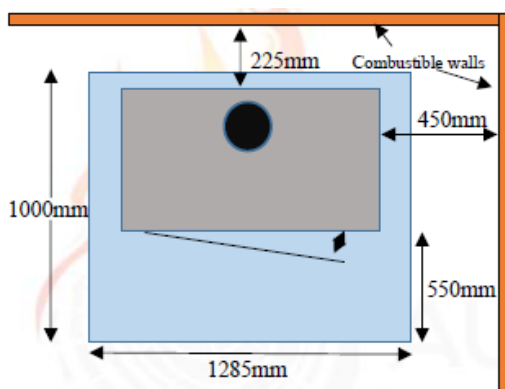


Figure No.4 - Safety distances of Silver 1000 Plus in parallel position

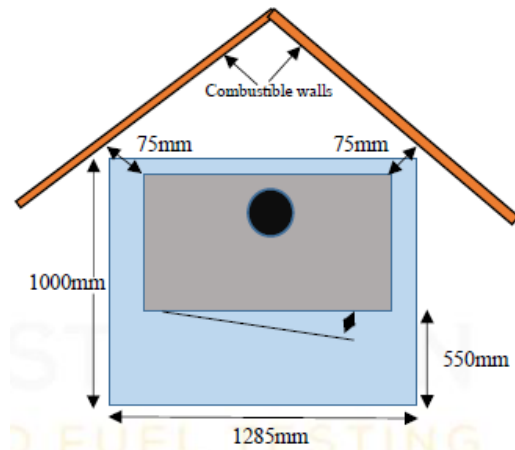


Figure No.5 - Safety distances of Silver 1000 Plus in corner position

Bear in mind that it may even be necessary to protect non-combustible material in order to prevent breakage, deformation, etc., as a result of overheating if the non-combustible material is not designed to withstand high temperatures.

2.3.3. Checks before lighting for the first time

- Make sure that the glass is not broken or damaged.
- Make sure that the flueway is not obstructed with packing or loose parts.
- Make sure that the airtight joints on the flue circuit are in perfect condition.
- Make sure that the doors close properly.
- Make sure that all moving parts are fitted in place.
- Check that the deflector is fitted properly

2.3.4. Height adjustment and levelling the appliance

The appliance must be perfectly level, horizontally and vertically, both at the front and on the sides (use a spirit level).

2.3.5. Casing

If the customer would like to coat the appliance, the following instructions should be followed.

Make sure that the material around the appliance is not flammable or likely to deteriorate as a result of heat (wallpaper, carpet, plastic-based casing, Silestone, etc.).

The image below gives an example of how the appliance can be encased properly:

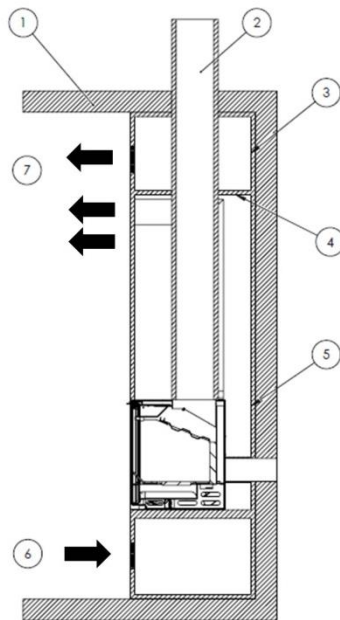


Figure No.6 - Interior diagram of the casing

- 4 Insulating deflector made of incombustible material
- 5 Wall
- 6 Fresh-air inlet (1,000 cm²)
- 7 Hot-air outlet (1,000 cm²)

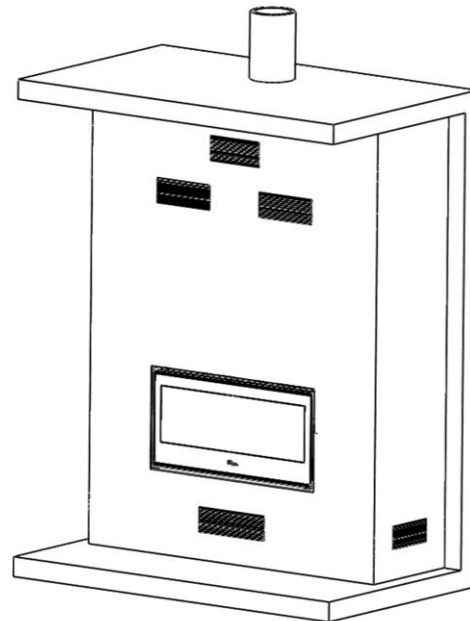


Figure No.7 - Exterior diagram of the casing

In order to enable suitable air circulation and correct operation, the casing must have a fresh-air inlet with a minimum section of 1,000cm² beneath the level of the actual appliance and a hot-air outlet measuring at least 1,000cm² above it (just before the insulating deflector inside the casing). These inlet and outlet sections must ensure air renewal in such a way as to avoid damage to parts inside the hood due to excess temperature.

This specification must be observed regardless of the type of installation chosen (with or without forced ventilation, combustion air from indoors or outdoors, directed hot-air outlets with or without pipes, etc.). A further hot-air ventilation grille is also recommended between the

Key to casing diagram:

- 1 Ceiling
- 2 Flue
- 3 Incombustible material (Inner hood insulation)

insulating deflector on the hood and the ceiling.

Warning: on appliances on which it is possible to pipe air to the firebox, the hood requires a further air inlet at the bottom, in addition to the 1,000cm² inlet, if the air supply comes from the room in which the appliance is fitted.

On non-central-heating appliances (without back boiler), Lacunza does not recommend enveloping the outside of appliances with insulation.

The installer must fit the necessary inspection accesses (trap doors, hatches, etc.) so that everything inside the hood that may need maintenance work or replacement can be accessed at any time.

2.3.6. Connection to the flue

The appliance must be connected to the chimney flue using special piping designed to resist the products of combustion (e.g. stainless steel, enamelled steel, etc.).

To connect the flue to the socket flange, insert the piping inside the flange and seal the joint with fire sealant or fire cement to make it completely airtight.

The installer must ensure that the pipe connected to the appliance is well secured and there is no chance of it coming free from its housing (e.g. as a result of dilatation due to temperature, etc.).

On this appliance, the flue socket can be fitted on top of the appliance.

2.3.7. Piping air to other rooms

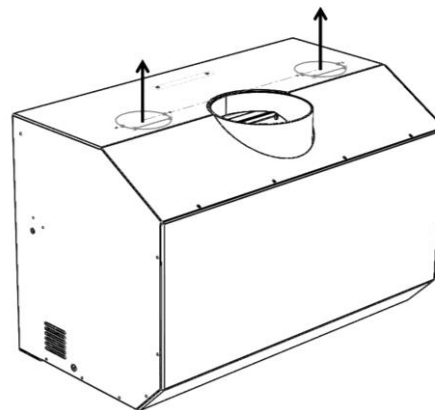
It is possible to pipe some of the heat generated to other rooms in the house using the appliance. This does not mean that the appliance works more efficiently, but it does mean that the heat it creates is distributed better. For this purpose, in the top surface of the appliance there are 2 potential hot-air outlets with diameters of 120mm on the top shell of the appliance.

Pipes can be fitted from these outlets to other rooms. If you intend to do this, bear the following points in mind.

- The air ducts must always be heat insulated and smooth inside (not corrugated).
- The pipes must always have an upward slant to facilitate movement by air density.
- On routes with a lot of load loss (a lot of retention), air movement can be forced along the ducts using a motor or fan, provided that it is designed to withstand such temperature conditions.

Bear in mind that air ducts mean that noise travels more easily from one room to another.

The following table shows the heat output of the air from the hot-air outlets with the appliance working at Nominal Heat Output:



	Output (kW)
SILVER 800	1,4
SILVER 1000	1,2

Figure No.8 - Table showing heat output of the air leaving the appliance

Note: The values shown in the above table were measured at the appliance output point and based on tests

performed at nominal heat output and maximum fan speed.

All hot-air ducts lose heat, meaning that the heat output obtained at the end of piping always depends on its design.

The appliance SILVER there are 2 potential hot-air outlets with diameters of 120mm on the top shell of the appliance.

1° Turn the piece from the back of the circle as seen in the images.

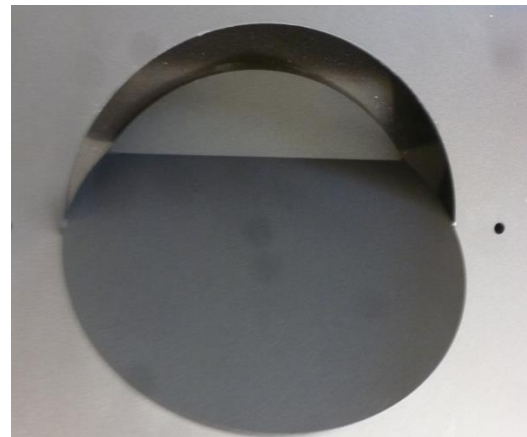
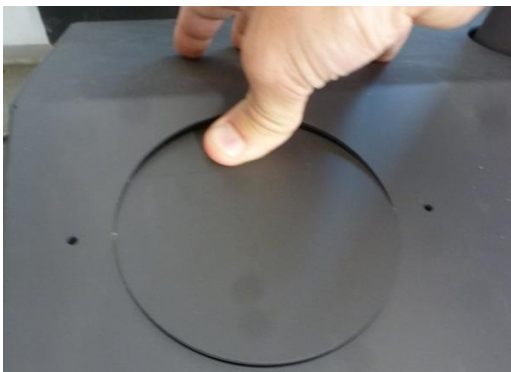
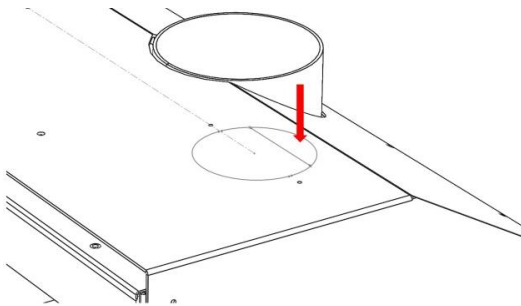


Figure No.9 - Push as indicated by arrow

This favors the movement of air into the air outlet

2° Place the nozzle into position.

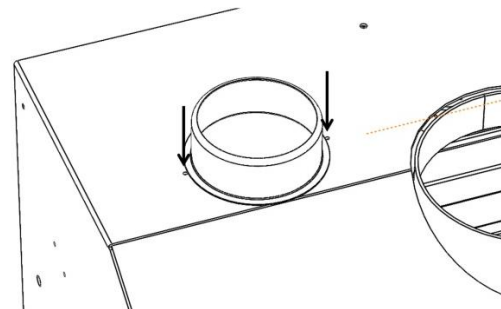


Figure No.10 - Screw the nozzle.

2.3.8. Exterior Frame. Removal and assembly

To fit the frame, proceed as follows:

- Bend all the tabs located in the upper and lower part of the frame, as shown in the picture.

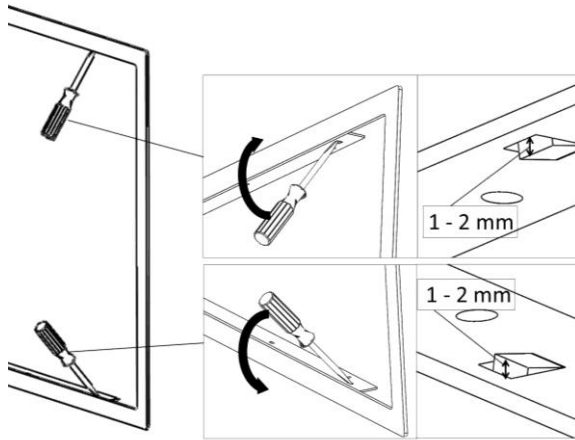


Figure No.11 - Bending the tabs

- Insert the frame in the appliance pressing.

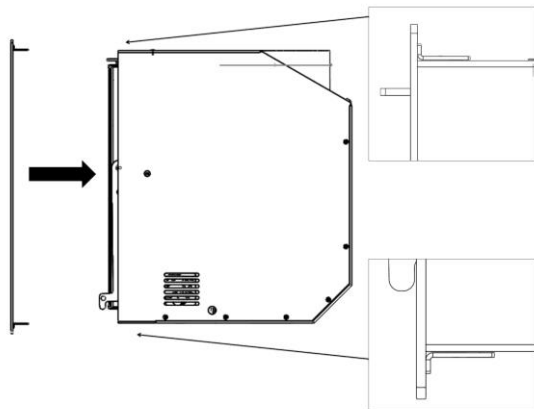


Figure No.1 - Insert frame in the appliance

- To remove the frame, perform the same operation in reverse order.

2.3.1. Turbine-potentiometer connection

The standard device does not have an electrical system. If ordered as an

accessory these are the connection instructions in order to control the ventilator system using the supplied potentiometer.

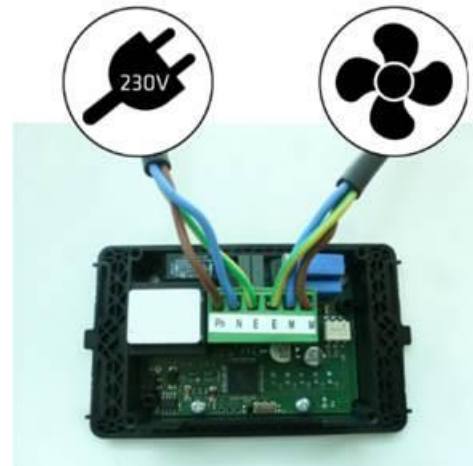


Figure No.1 - Connections to be carried out in the potentiometer

WARNING: the operating temperature of the potentiometer supplied by Lacunza is from 0 to 40°C. Particular care should be taken when choosing where it will be positioned so that it is not damaged by temperatures above 40°C. Insulate the potentiometer correctly so as to avoid this problem.

Read the potentiometer instruction manual.

2.4. Chimney flue

The chimney flue must comply with present standards on the installation of chimneys.

In rooms equipped with Controlled Mechanical Ventilation, the ventilation outlet must never be connected to the flue.

The appliance must always have its own chimney flue, never sharing a chimney flue with another appliance.

2.4.1. Type of flue

The flue must be made of special material designed to resist the products of combustion (e.g. stainless steel, enamelled steel, etc.).

Non-central-heating appliances (without back boiler) require an insulated, double-sleeve flue only on those sections that run outdoors or through cold areas. Single piping can be used inside the building, the heat of the gases serving to heat rooms, insulating only those sections where excess temperature may cause damage.

If the chimney is constructed, then it is necessary to pipe and insulate it to ensure correct updraught.

The diameter of the pipe must be the same as the diameter of the flue socket on the appliance over its entire length in order to ensure correct operation.

The flue must prevent the entry of rainwater.

The flue must be clean and airtight over its entire length.

The flue must be at least 5m tall and the chimney cap must not hinder the free release of gases.

If the flue tends to suffer from downdraught, then it is necessary to fit an effective anti-downdraught cowl, a static cowl or a smoke extraction fan, or reshape the chimney.

Never make 90° bends, due to the great loss of draught they cause, and reduce 45° bends down to an absolute minimum. Each 45° bend is equivalent to a 0.5m reduction in flue length. Horizontal flue sections should not be installed because they cut updraught a great deal.

The appliance is designed to operate under controlled draught conditions. The appliance must operate at a chimney draught of between 12Pa and 15Pa. To ensure this draught, an automatic draught

moderator must be installed in the flue. Uncontrolled draught operation can lead to quick damage of the appliance, which will not be covered by the warranty.

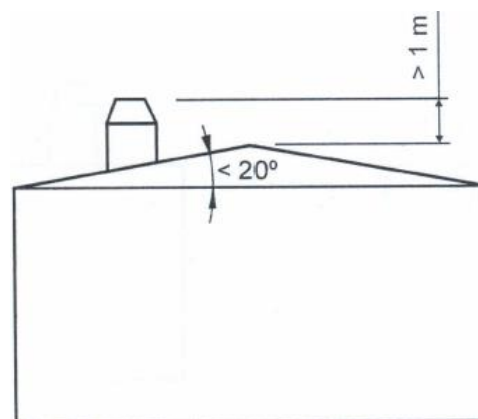
The flue must not rest its weight on the appliance, as this could damage the worktop.

Bear in mind that high temperatures may be reached in the flue, meaning that it is essential that insulation be enhanced in sections in which combustible material is present (wooden beams, furniture, etc.). It may even be necessary to protect non-combustible material in order to prevent breakage, deformation, etc., as a result of overheating if the material is not designed to withstand high temperatures.

It must be possible to clean the entire flue, no sections being left inaccessible for cleaning purposes.

2.4.2. Chimney crown

The upper end of the chimney must clear the roof, the roof ridge or any obstacle located on the roof by at least 1m.



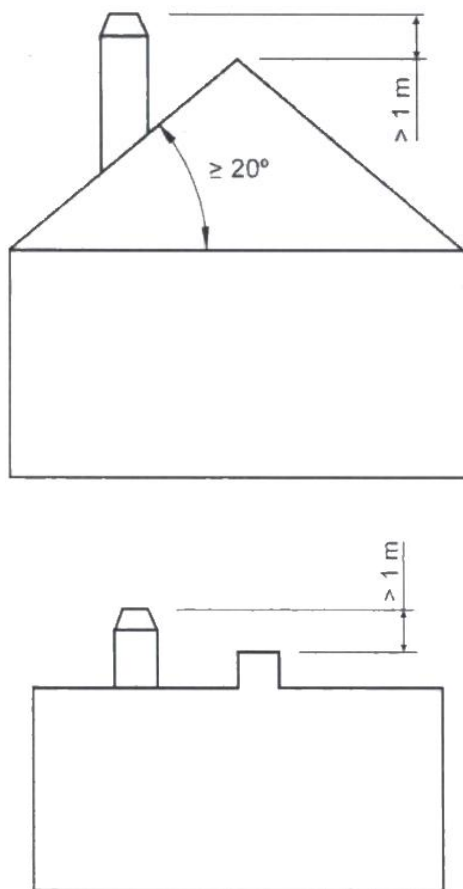


Figure No.2 - Distances between chimney crown and roof ridge

The chimney crown must clear the highest point of any neighbouring building or obstacle located within a 10m radius of the chimney outlet by more than 1m.

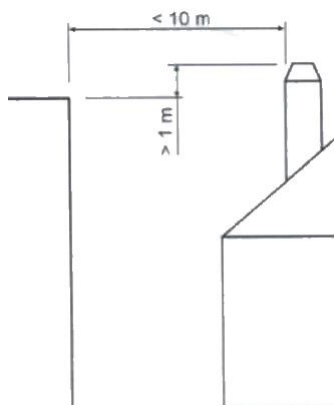


Figure No.3 - Distances between the chimney crown and objects within a 10m radius

The chimney crown must clear any neighbouring building or obstacle located within a radius of 10m to 20m from the chimney outlet.

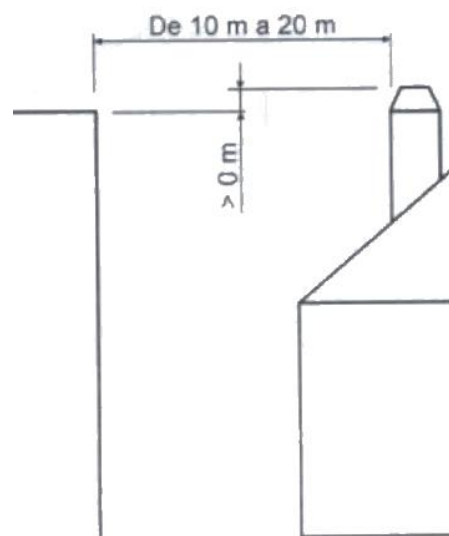


Figure No.4 - Distances between the chimney crown and objects within a radius of between 10 and 20m

3. INSTRUCTIONS OF USE

The manufacturer accepts no liability whatsoever for damage caused to parts as a result of the improper use of non-recommended fuels, modifications made to the appliance or how it is installed.
Only use original replacement parts.

All local and national regulations, including those referring to national and European standards, must be observed when using the appliance.

Heat is diffused by radiation and convection via the front and exterior of the appliance.

3.1. Fuel

This appliance must not be used as an incinerator. Do not use non-recommended fuels.

- Use dry logs (max. 16% humidity), cut at least 2 years ago, clean of resin and stored in a sheltered, ventilated place.
- Use hard woods with high calorie values and good ember production.
- Large logs should be cut to useable lengths before being stored. The logs should have a maximum diameter of 150mm.
- Finely-chopped wood produces greater heat output, but also burns more quickly.

Optimum fuels:

- Beech, hardwood and eucalyptus logs.

Other fuels:

- Oak, chestnut, ash, maple, birch, elm, etc.
- Resinous wood may mean that the appliance and the flue need to be cleaned more often.

Non-permitted fuels:

- All types of coal and liquid fuel.
- “Green wood”. Green or damp wood reduces the performance of the appliance and leads to soot and tar build-up on the inner walls of the flue, obstructing it.
- “Recovered wood”. The burning of treated woods (railway sleepers, telegraph posts, plywood, fibreboard, pallets, etc.) quickly blocks the system (soot and tar build-up), harms the environment (pollution, smells) and may lead to deformation of the firebox due to overheating.
- All materials which are not wood (plastic, spray cans, etc.).

Green and reprocessed wood may cause chimney fires.

The graph below shows how the humidity of firewood affects its heat output:

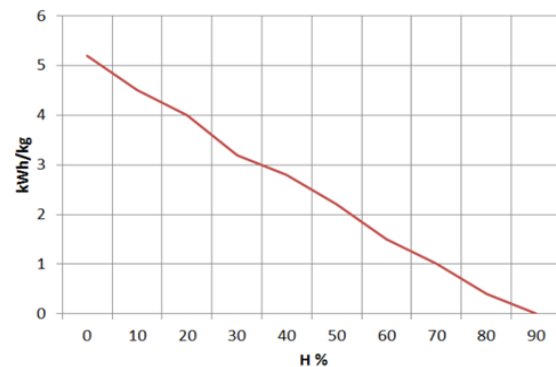


Figure No.5 - Relationship between firewood humidity and heat output.

3.2. Description of the parts of the appliance

3.2.1. Operating components

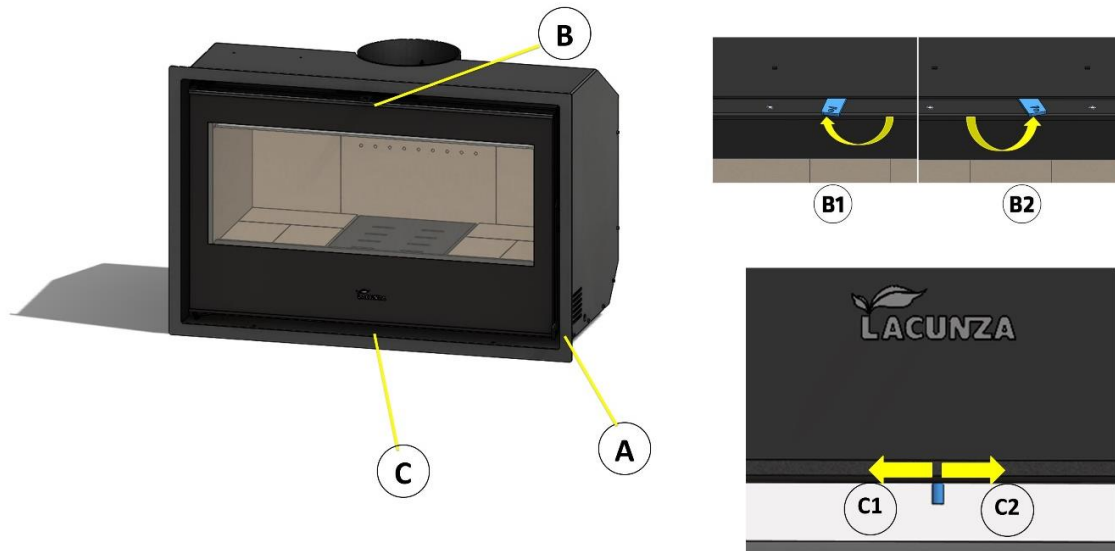


Figure No.6 - Operating components on the appliance

- A: Firebox door handle
- B: Secondary air intake
 - B1 open (turn clockwise)
 - B2 closed (turn anti-clockwise)
- C: Primary air intake
 - C1 open (right)
 - C2 closed (left)

3.3. Lighting

Use of the appliance in warm weather (warm days, early hours of the afternoon on sunny days) may lead to lighting and updraught problems.

Certain weather conditions, such as fog, ice, humidity entering the flue, etc., may hinder sufficient updraught in the flue and lead to suffocation.

Proceed as follows in order to light the appliance satisfactorily:

- Open the firebox door(s) and open all the firebox air-intake inlets to the full.
- Place paper or a firelighter and some wood chips in the firebox.
- Light the paper or firelighter.
- Leave the door slightly ajar, the width of two or three fingers, for about 15 minutes until the glass warms up.

3.4. Loading fuel

In order to load firewood, open the firebox door gently, preventing the sudden entry of air to the firebox so that smoke does not enter the room that the appliance is installed in. Perform this operation with the glove to prevent burns to the hands.

Always load with medium primary air settings (see table in section 1.1).

For minimum burning (e.g. at night), use thicker logs.

When the firebox is loaded, close the door.

Be careful when placing logs in the firebox on appliances with vermiculite interiors. Vermiculite is a fragile material and may crack if knocked.

3.5. Operation

The appliance should be operated with the door closed.

For safety reasons, never close all the appliance's combustion-air intakes.

Primary-air intake

By opening this inlet, air enters the firebox via the firebox grille.

Secondary-air intake

By opening this inlet, air enters the firebox via the top of the firebox door.

IMPORTANT: Keeping the secondary-air intake open helps keep the door glass cleaner for longer.

Double-combustion air intake

By opening this inlet, air enters the combustion flame, making for more efficient and less polluting combustion because post-combustion takes place, burning the particles which were not burned in the first combustion. This increases the performance of the appliance and reduces emissions.

In order to obtain maximum output, open all the air intakes to the firebox and in order to obtain minimum output, tend towards closing them.

For normal use, we recommend leave the Secondary open.

IMPORTANT: The appliance is exposed to extreme changes in temperature and may, as a result, make noises when in operation. These noises are a natural result of expansion/contraction of the parts which make up the appliance. Do not be alarmed by noises of this kind.

(a) High burn rate: The appliance shall be operated with combustion rate controls fully open.

(b) Low burn rate: The appliance shall be operated with all combustion rate controls adjusted to the minimum setting.

(c) Medium burn rate: The appliance shall be operated with primary air intake closed and secondary air intake opened.

Lacunza recommends doing medium burn cycles.

3.6. Removing ash

Following sustained use of the appliance, it is necessary to remove the ash from the firebox. Remove the ashpit box when cold or using something to prevent yourself from getting burned (glove).

Never throw hot embers into the rubbish.

Access the ashpit by opening the door on the appliance.

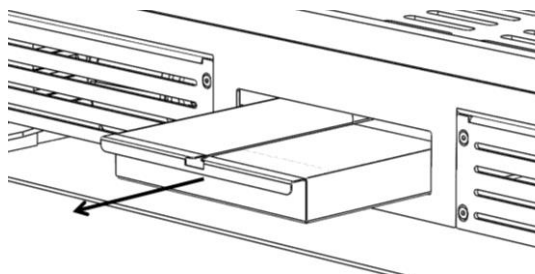


Figure No.7 - Remove ashpit.

Warning! It is very important to put the ashpit back in its housing at the bottom of the firebox after emptying it of ashes and before lighting the fire again! Do this by following the extraction process in reverse order.

3.7. Deflectors

The appliance has 2 vermiculite deflectors joined by a steel reinforcement and another steel deflector on top of the vermiculite.

Deflector Removal

First, the steel reinforcement must be removed. To do this, it must be pulled towards the front of the device, until it is released from the vermiculite pieces.

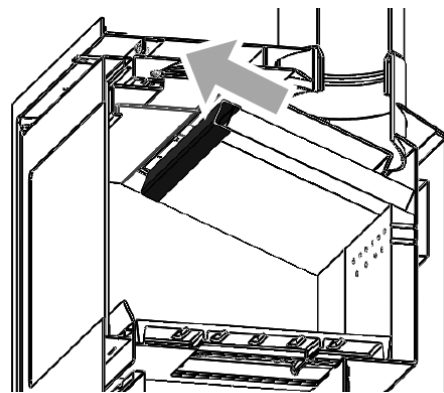


Figure No.8 - Dismantling the steel reinforcement.

Remove the vermiculite baffles as shown:

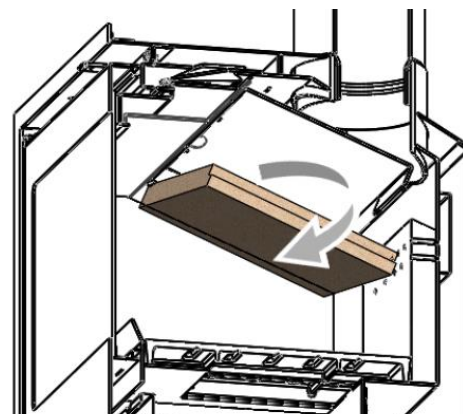


Figure No.9 - Extracción de los deflectores de vermiculita

We extract the rest of vermiculites from inside the device.

Rotate and remove the upper steel deflector.

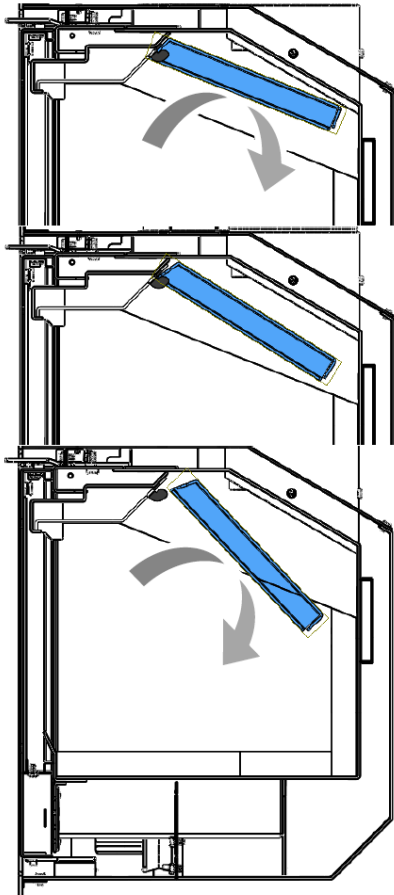


Figure No.10 - Girar y extraer el deflector superior de Acero

4. MAINTENANCE AND IMPORTANT ADVICE

4.1. Maintenance of the appliance

The appliance, the flue connector piping and the flue must be cleaned regularly, particularly following long periods without use.

4.1.1. Firebox

Clean the firebox area of ash, etc.

4.1.2. Inside the appliance

Clean the firebox area of ash. Clean the deflectors, where soot may build up.

4.1.3. Flue socket

The flue socket area must be kept clean at all times for the appliance to work properly.

It must be cleaned as often as required. How often it is cleaned depends on how much the appliance is used and the type of fuel employed.

4.1.4. Firebox glass

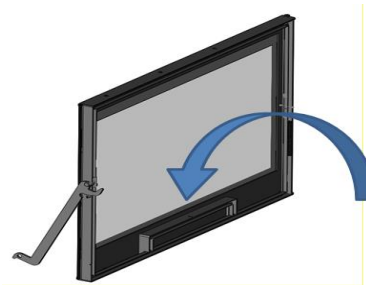
To keep the glass as clean as possible for as long as possible, the secondary air register should be kept open. However, over the hours of use, the glass may become dirty. To clean it, we will use specific degreasing products or dry cleaning products for this task.

The cleaning should be carried out with the glass cold and taking care not to apply the glass cleaner directly on the glass as, if it comes into contact with the door's closing cord, it may deteriorate. Put the cleaning product on the cloth.

It is also important to prevent the cleaning liquid from getting into the moving mechanism of the register, as this could jam it.

Caution, the vitro ceramic glass is prepared to support 700°C. Never let burning woods or combustion flame beating against the glass for prolonged periods of time. In this case, the glass would be submit to temperatures above 750°C, this could change the internal structure of the glass and make it opaque (irreversible phenomenon).

Attention, never let the product drip into the lower part of the glass. The accumulation of the cleaning product, with soot or ash residues, can damage the screen printing on the glass.



Note: If we use the appliance in draught conditions higher than 15Pa or burn more wood (per hour) than those indicated in table 1.1, we will subject the appliance to working conditions higher than those designed for it. This can lead to aggressive fouling of the glass (white halo), which cannot be cleaned by the traditional method.

4.1.5. Painted sheet-steel-cast-iron parts.

These parts should be cleaned with a brush or dry cloth. Do not dampen the parts: the steel could rust and the paint could blister and chip. Be particularly careful when cleaning the glass: the liquids used must not dampen the painted steel.

4.1.6. Air intake registers

In the air intake for combustion registers, remains of ash, sawdust, cleaning fluids, etc. may accumulate, which restrict or hinder its movement. In

these cases, they should be released and cleaned.

4.2. Maintenance of the chimney flue

VERY IMPORTANT: In order to avoid incidents (chimney fires, etc.), it is necessary to perform maintenance and cleaning operations on a regular basis; if the appliance is used often, then the chimney and the flue connector piping must be swept several times a year.

In the event of fire in the chimney, close the flue draught, close doors and windows, remove embers from the firebox, block the connection hole with damp cloths and call the fire brigade.

4.3. Important advice

Lacunza recommends that only Lacunza-authorized replacement parts be used.

Lacunza accepts no liability for any modification to the product which it has not authorized.







This appliance is a heat-producing appliance and contact may lead to burns.

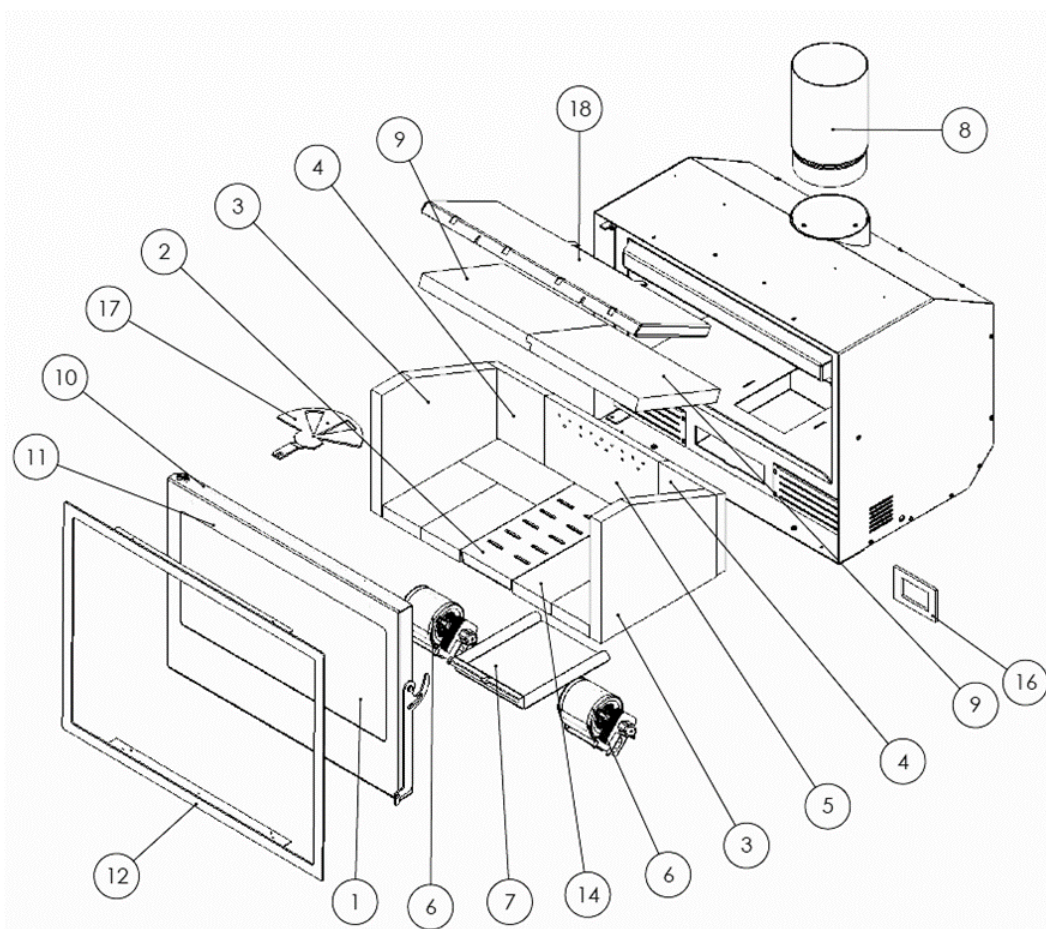
This appliance may remain HOT for a period of time after it has gone out. **MAKE SURE THAT SMALL CHILDREN DO NOT GO NEAR IT.**

5. TROUBLESHOOTING



This symbol means that a qualified professional should be called to perform the operation.

Problem	Probable causes		Solution
The fire does not light properly The fire does not stay alight	Green or damp wood		Use hard woods, cut at least 2 years ago and stored in a sheltered, ventilated place
	The logs are too large		Use crumpled paper or firelighters and dry wood chips to light the fire. Use split logs to keep the fire going
	Poor-quality wood		Use hard woods which produce heat and embers (chestnut, ash, maple, birch, elm, beech, etc.)
	Insufficient primary air		Open the primary- and secondary-air intakes completely, or even open the door slightly. Open the outdoor-air inlet grille
	Insufficient updraught		Check that the draught is not blocked. De-soot if necessary. Check that the flue is in perfect condition (airtight, insulated, dry, etc.)
The fire flames up too much	Excessive primary air		Close the primary- and secondary-air intakes partially or totally
	Excessive updraught		Install a draught damper
Smoke given off on lighting	Poor-quality wood		Do not continually burn chips, carpentry scraps (plywood, pallets, etc.)
	Cold flue		Heat up the flue by burning a piece of paper in the firebox.
Smoke during burning	The room is at low pressure		In rooms with Controlled Mechanical Ventilation, leave an outdoor window ajar until the fire is fully alight.
	Too little wood loaded		Load as recommended. Loads notably smaller than those recommended lead to low smoke temperature and downdraught.
	Insufficient updraught		Check the condition of the flue and insulation. Check that the piping is not blocked. Clean mechanically if necessary
	Wind enters the flue		Install an anti-downdraught system (Cowl) at the top of the chimney
Does not warm up enough	The room is at low pressure		In rooms with Controlled Mechanical Ventilation, there must be an outdoor-air inlet
	Poor-quality wood		Only use the recommended fuel
The fans do not work	Electrical fault		
Water condenses (after the appliance has been lit more than 3 or 4 times)	Too little wood loaded		Load as recommended. Loads notably smaller than those recommended lead to low smoke temperature and condensation.
	Green or damp wood		Use hard woods, cut at least 2 years ago and stored in a sheltered, ventilated place.
	Condition of the flue		Lengthen the flue (5-6 metres minimum). Insulate the flue properly. Check the airtightness of the flue/appliance.

6. BASIC BREAKDOWNS


N.º	Referencia	DENOMINACION	CANT.
1	500000000857	CRISTAL SILVER-GOLD-ROCK 800	1
	500000000858	CRISTAL SILVER-GOLD-ROCK 1000	1
2	5040000897	PARRILLA SILVER-GOLD-ROCK PLUS 800	1
	5040000898	PARRILLA SILVER-GOLD-ROCK PLUS 1000	2
3	500000000862	LATERAL VERMICULITA SILVER-GOLD-ROCK	2
	5040000891	VERMICULITA TRASERA LATERAL SILVER-GOLD-ROCK PLUS 800	2
	5040000892	VERMICULITA TRASERA LATERAL SILVER-GOLD-ROCK PLUS 1000	2
5	5040000893	VERMICULITA TRASERA CENTRAL SILVER-GOLD-ROCK PLUS	1
6	500000000869	VENTILADOR SILVER 800-1000 (1 rodete)	2
	502570000000	OCEAN-ATLANTIC-SILVER-GOLD-ROCK-PLATINUM CENICERO	1
8	5000000840	TUBO DIAMETRO 150 DE 250 MM (Silver-Gold-Rock 700 Plus)	1
	5000000841	TUBO DIAMETRO 200 DE 250 MM (Silver-Gold-Rock 800 y 1000 Plus)	1
9	5040000900	VERMICULITA DEFLECTOR SILVER GOLD-ROCK 800 PLUS	2
	5040000901	VERMICULITA DEFLECTOR SILVER GOLD-ROCK 1000 PLUS	2
10	509020000042	CORDON FIBRA CERAMICA D.13 mm NEGRO	4m

11	500000000510	CORDON PLANO PELOS 8X2mm	4 m
	504400000002	MARCO SILVER 800	1
	504410000002	MRCO SILVER 1000	1
	504000000838	REFRACTARIO DE 220X110X30 (SILVER GOLD ROCK 800 PLUS)	6
	504000000838	REFRACTARIO DE 220X110X30 (SILVER GOLD ROCK 1000 PLUS)	8
	5040000903	SOPORTE DEFLECTOR (SILVER GOLD ROCK 800 PLUS)	1
	5040000895	SOPORTE DEFLECTOR (SILVER GOLD ROCK 1000 PLUS)	1
16	504000000869	POTENCIOMETRO SILVER	1
17	504390000007	REGISTRO SECUNDARIO SILVER-GOLD-ROCK	1
	5044000008	SEGUNDO DEFLECTOR (SILVER GOLD ROCK 800 PLUS)	1
	5044100007	SEGUNDO DEFLECTOR (SILVER GOLD ROCK 1000 PLUS)	1

7. CERTIFICATE OF COMPLIANCE



Certificate of Compliance

for

SOLID FUEL HEATERS

This is to certify that the appliance stated on this certificate has been tested for Thermal Clearances, Heat Output, Thermal Efficiency and Particulate Emissions in accordance with the Australian / New Zealand Standard(s) detailed below

<i>Manufacturer</i>	Lacunza
<i>Make</i>	Lacunza
<i>Model</i>	Silver 1000 Plus
<i>Type</i>	Free-Standing
<i>Category</i>	Slow combustion Wood Heater
<i>Fuel Type</i>	Hardwood
<i>Test Report No's:</i>	ASFT21061-1 ASFT21062-1
<i>Maximum Avg Heat Output</i>	7.9kW
<i>Overall Avg Efficiency</i>	65%
<i>Particulate Emissions Factor</i>	0.7g/kg
<i>National Standards</i>	AS/NZS 4012 (2014) AS/NZS 4013 (2014) AS/NZS 2918 (2018)

ASFT hereby grants to:

Lacunza

of

31800 Alsasua / Navarra SPAIN

Certificate No.: **ASFT21C103**
Issue Date: **3 September 2021**

Certified Date: **3 September 2021**
Expiry Date: **8 August 2024**

Steve Marland

Managing Director of ASFT

ASFT performs compliance testing of Solid Fuel Appliances to the relevant Australian/New Zealand standards. This certification is subject to the conditions set forth in the characteristics above and is not to be construed as any recommendation, assurance or guarantee by ASFT of the product acceptance by Authorities having jurisdiction.

LACUNZA KALOR GROUP S.A.L

Pol. Ind. Ibarrea 5A

31800 Alsasua (Navarra) Spain

Tel.: (00 34) 948 56 35 11

Fax.: (00 34) 948 56 35 05

e-mail: comercial@lacunza.net

Website: www.lacunza.net

EDITION: 00

