




- 
- Ⓢ Um Schäden zu vermeiden, heizen Sie Ihren Ofen bei der Inbetriebnahme höchstens mit der Brennstoffmenge lt. Bedienungsanleitung an. Danach auskühlen lassen und Vorgang wiederholen.
  - Ⓢ To avoid damages, please only use the maximum fuel load for the initial start-up according to our user's instructions. Allow the stove to cool down and repeat the procedure.
  - Ⓢ Pour éviter des dommages faites attention de ne brûler que la quantité de bois comme indiquée dans la notice d'utilisation. Laissez refroidir puis recommencez.

Keep these instructions for future reference.

User instructions

**WOODY**



**Must use hardwood only.**

**CONTENTS**

1. Technical Data
2. Important Information
3. Correct operation of your stove
4. The main spare parts list
5. Warranty

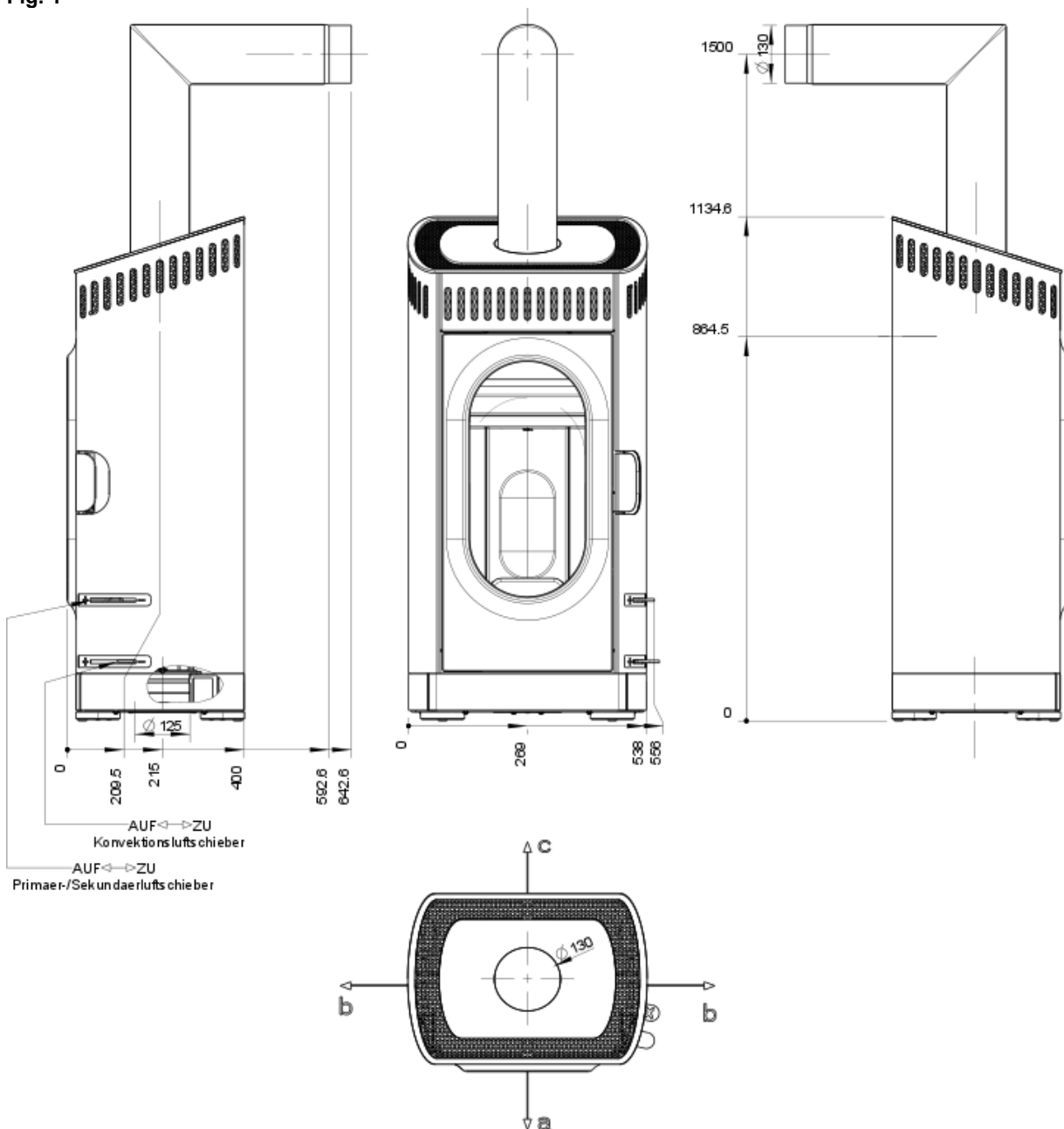
# TECHNICAL DATA

The stove must use its own dedicated flue to the cowl, and not share the exit with any other appliance. The flue required is diameter 6" / 152mm, the unit requires an adaptor to 130mm spigot opening. The appliance or flue system must not be modified in any way without the written approval of the manufacturer.

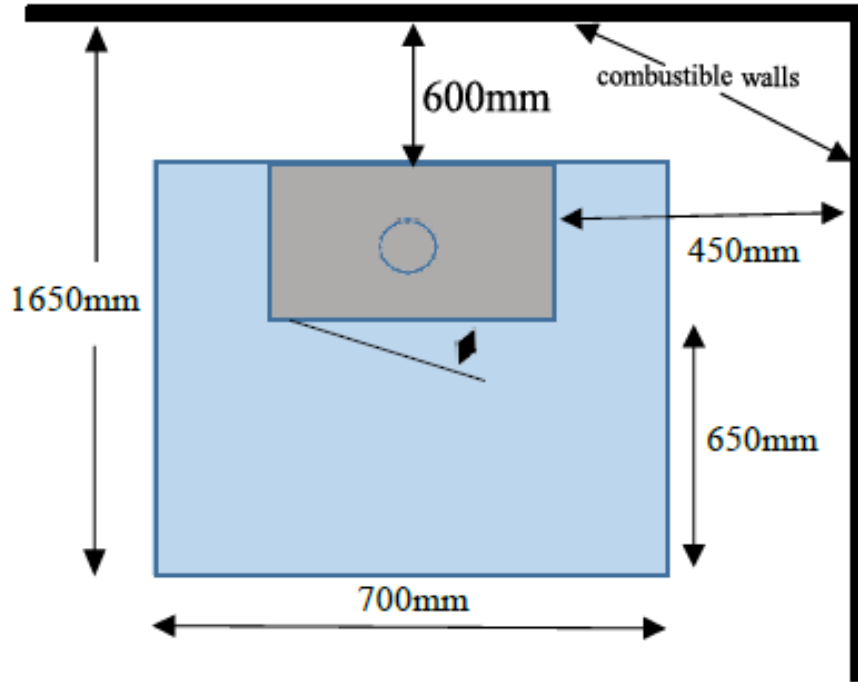
TECHNICAL DATA	WOODY
Height [mm]	1036
Width [mm]	538
Depth [mm]	400
Weight [kg]	142
Flue pipe outlet-Ø [mm]	130
Nominal thermal output [kW]	5.5
Max. thermal capacity [kW]	7.0
Min. heating capacity [kW]	3.6
Room heating capacity (depending on building insulation) [m³]	65–165

Outside Air Supply Duct Connection	
Outer Spigot Dimensions (connect through)	125mm
Rectangle opening for adapting to rear	120 x 60mm
Rear Blanking Plate for Rear Outside air – to access rectangle opening	140mm

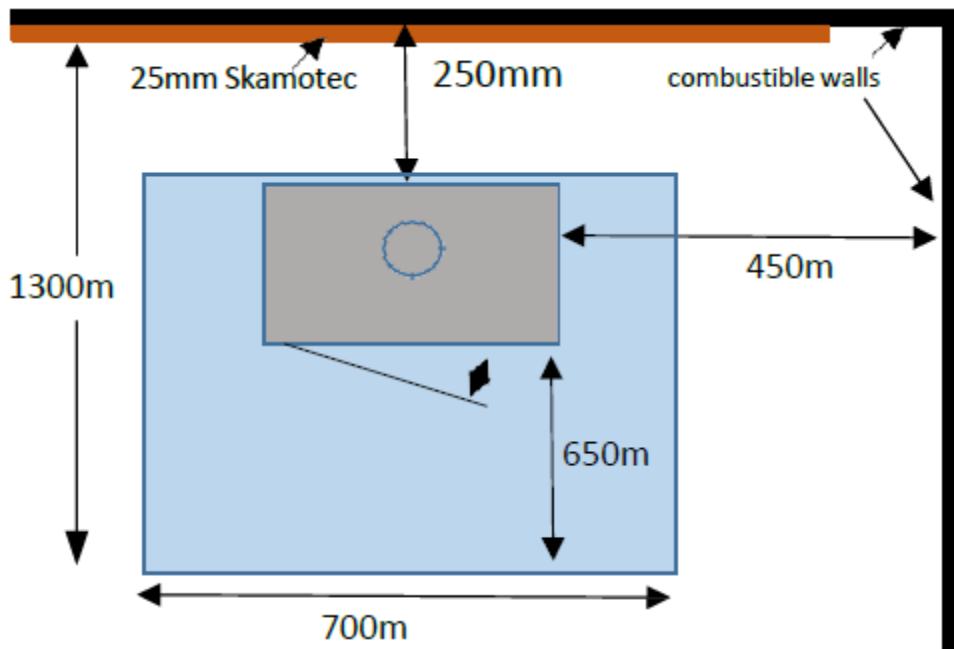
Fig. 1



1. Hearth requirement for unit parallel to the rear wall, with no extra shielding for the unit, with a solid 8" decorative flue shield below the ceiling. Rear clearance of 600mm, with hearth depth of **1650mm from the Rear wall**. And side clearance of 450mm from the heater to any combustible materials



2. Hearth requirement for unit parallel to the rear wall, with a wall shield of 25mm thick Skamol board, centred behind the heater, **1200mm wide and 1800mm high**, with a solid 8" decorative flue shield below the ceiling. Rear clearance of 250mm, with hearth depth of **1300mm from the Rear wall**. And side clearance of 450mm from the heater to any combustible materials.



Skamol Wall Shield shown at 1200mm Wide x 1800mm High

# 1. IMPORTANT INFORMATION

The installation and operation information given here is of general nature. National and European standards, local and building regulations as well as fire prevention laws must be observed during the operation of the stove.

## General safety instructions for the operation of your stove

- Read the entire manual before starting up your stove thoroughly and observe the caution notices.
- Your heating unit must not be moved without approved means of transport with sufficient load-bearing capacity.
- Your heating unit is not suitable to be used as a stand or as a ladder.
- Please keep in mind that your stove's surface heats up considerably during operation. We therefore recommend wearing a safety mitten when operating your stove.
- Attention – stove varnish is no rust prevention!
- Make your children aware of this particular danger and keep them at a distance from the heating unit whenever it is in operation.
- Only burn approved fuels and materials as listed in the chapter "Clean Burning".
- The burning or placing of flammable or explosive materials, like empty spray cans, etc. into the firebox as well as the storage of such materials in the immediate vicinity of your heating unit is strictly forbidden due to the danger of explosion.
- Do not wear loose or flammable clothing when adding fuel to the fire.
- Placing non-heat-resistant objects on the heating unit or in the vicinity of the heating unit is forbidden.
- Do not lay laundry onto the stove for drying. Laundry hung up to dry must be kept at a safe distance from the stove because of the danger of fire.
- The wood stove is not suitable for long term heating.
- During the operation of your heating unit it is forbidden to use flammable or explosive materials in the same or an adjacent room to the one in which your heating unit is located.
- The appliance must be operated with the stove door closed.
- The stove door and all fittings for adjusting the stove must be closed, if the appliance is out of use.



## Setting up your stove

**Required safety distances** (Minimum distances – see name plate - in Fig. 1)

- a > 1200 mm – towards the front in the radiated area
- b > 450 mm – to the side

c > 600 mm – to the back

Make sure that the room in which the stove is set up has at least one door or window into the outside or is directly adjacent to such a room. Other fireplaces and extractor hoods must not be operated in the same room as the stove.

### Floor load capacity

Make sure that the load capacity of the supporting construction is sufficient to carry the weight of the entire unit, before the heating unit is installed.

### Combustion air

Being the user of the stove you must take care of a sufficient combustion air supply. Sealed-up windows and doors may not allow a sufficient combustion air supply or disturb the draught behaviour of your stove. Please ensure the additional supply of fresh combustion air if necessary. For details please consult your specialist retailer. Make sure that the combustion air intakes are not blocked!

### Stove pipe connection

For your own safety stringent laws apply for connecting the stove pipes to the chimney. Your professional dealer or distributor knows these laws. Please have your certified retailer carry out the connection of your stove.

**WARNING: THE APPLIANCE & FLUE SYSTEM SHALL BE INSTALLED IN ACCORDANCE WITH AS/NZS 2918:2001 AND THE APPROPRIATE REQUIREMENTS OF THE RELEVANT BUILDING CODE OR CODES.**

**WARNING: APPLIANCES INSTALLED IN ACCORDANCE WITH THIS STANDARD SHALL COMPLY WITH THE REQUIREMENTS OF AS/NZS 4013:2014 WHERE REQUIRED BY THE REGULATORY AUTHORITY, I.E. THE APPLIANCE SHALL BE IDENTIFIABLE BY A COMPLIANCE PLATE WITH THE MARKING “TESTED TO AS/NZS 4013:2014”.**

**ANY MODIFICATION OF THE APPLIANCE THAT HAS NOT BEEN APPROVED IN WRITING BY THE TESTING AUTHORITY IS CONSIDERED TO BE IN BREACH OF THE APPROVAL GRANTED FOR COMPLIANCE WITH AS/NZS 4013:2014.**

CAUTION: MIXING OF APPLIANCE OR FLUE SYSTEM COMPONENTS FROM DIFFERENT SOURCES OR MODIFYING THE DIMENSIONAL SPECIFICATION OF COMPONENTS MAY RESULT IN HAZARDOUS CONDITIONS. WHERE SUCH ACTION IS CONSIDERED, THE MANUFACTURER SHOULD BE CONSULTED IN THE FIRST INSTANCE.

CAUTION: CRACKED AND BROKEN COMPONENTS, e.g. GLASS PANELS OR CERAMIC TILES, MAY RENDER THE INSTALLATION UNSAFE.

- 1. WARNING: ANY MODIFICATION OF THE APPLIANCE THAT HAS NOT BEEN APPROVED IN WRITING BY THE TESTING AUTHORITY IS CONSIDERED AS BREACHING AS/NZS 4013.**
- 2. WARNING: DO NOT USE FLAMMABLE LIQUIDS OR AEROSOLS TO START OR REKINDLE THE FIRE.**
- 3. WARNING: DO NOT USE FLAMMABLE LIQUIDS OR AEROSOLS IN THE VICINITY OF THIS APPLIANCE WHEN IT IS OPERATING.**
- 4. WARNING: DO NOT STORE FUEL WITHIN THE HEATER INSTALLATION CLEARANCES.**
- 5. WARNING: WHEN OPERATING THIS APPLIANCE AS AN OPEN FIRE USE A FIRE SCREEN.**
- 6. WARNING: OPEN AIR CONTROL (AND DAMPER WHEN FITTED) BEFORE OPENING FIRING DOOR.**
7. CAUTION: THIS APPLIANCE SHOULD NOT BE OPERATED WITH A CRACKED GLASS.
8. CAUTION: THIS APPLIANCE SHOULD BE MAINTAINED AND OPERATED AT ALL TIMES IN ACCORDANCE WITH THESE INSTRUCTIONS.
9. CAUTION: THE USE OF SOME TYPES OF PRESERVATIVE-TREATED WOOD AS A FUEL CAN BE HAZARDOUS.

## 2. CORRECT OPERATION OF YOUR STOVE

### Approved fuels

Dry, well cured and natural wood (hardwood).

### Maximum amount of fuel

Maximum amount of fuel to be added: 1,6 kg wood. Larger amounts of fuel can lead to overheating and thus damage the stove.

### Clean burning

The wood must be dry (relative wood moisture < 15%) and untreated and the right amount of wood must be burned in order to ensure a clean fire that releases only small amounts of emissions.

### Startup procedures

During the first 3-4 operations - at nominal heat output - there may be some odour development and the paint has not yet hardened.

### Making a fire

For the correct and safe operation of your stove please pay attention of the chimney developing the necessary feed pressure. This must especially be considered before the initial operation (or e.g. after the summer heating break) and during the mid-season heating periods (e.g. at strong wind, etc.).

If there is not enough feed pressure, please light only some paper or small kindling first, in order to "warm up" the stove and the chimney.

The air inlet must not be covered or closed.

Clean grate, empty ash drawer if necessary (watch out for ambers!)

Position the lever for the combustion air to the open ("AUF") position (see fig.2 and 4).

Place 2-3 logs (approx. 1,2 kg in total) crossways in the combustion chamber (1) with sufficient distance from each other (min. 2 cm), on top of that place some softwood chippings (approx. 0,7 kg) (2) and some ignition aid and light. (3) (see fig. 3)

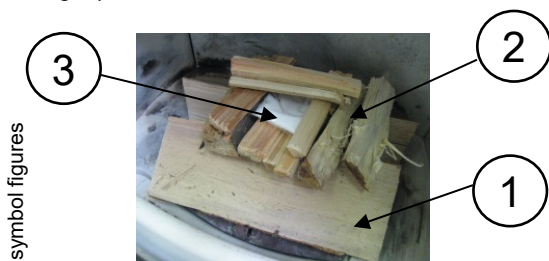


Figure 3:ignite the fire

symbol figures

Close the door!

We recommend to let the first load burn down without changing the air lever position.

As soon as no visible flames are left (only embers in the combustion chamber), you can put another load of logs (approx. 1,6 kg) in the combustion chamber if desired. (see fig. 5)

When reloading the stove please repeat the procedure as mentioned under "first lighting": air lever top position (= open), open door carefully, place logs, close door.



Fig. 4: air knob

After a few minutes, when the logs burn well on all sides (bright, high flames), you can adjust the heat output with the air lever (lever on top position = maximum heat output), the flames should be yellow and never look blueish or have black tips (otherwise add more air) – see fig. 4. Never close air supply completely during operation. (danger of flash-fire!)

The stove door may be opened only for refuelling or disposing of ashes and is to be closed again afterwards.

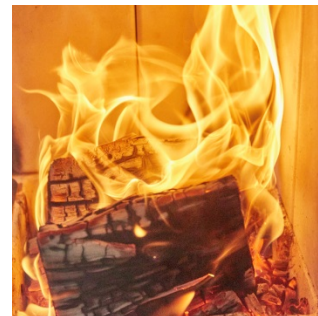


Figure 5

symbol figures

### Heating in-between seasons

If you heat the stove in between seasons, when the outside temperatures are higher, the flue gases may not be able to escape completely and this may lead to disturbances in the chimney draught, especially if the temperatures are rising suddenly. The stove has to be charged with less wood then and the primary air has to be increased so that the wood can burn down faster (with visible flames) and thus the chimney draught can stabilize.

### Chimney fire

A chimney fire may occur, due to sooting and deposits in the chimney, if impropes or humid fuel is used. In case of a chimney fire close all air inlets on the fireplace/chimney immediately and call the fire brigade. Please have an expert inspect your chimney for cracks and air-tightness after the burning out of the chimney.

## 3. THE MOST IMPORTANT SPARES—OVERVIEW

### Keramott

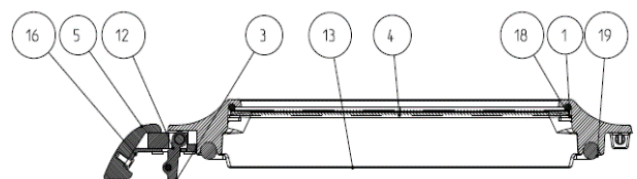
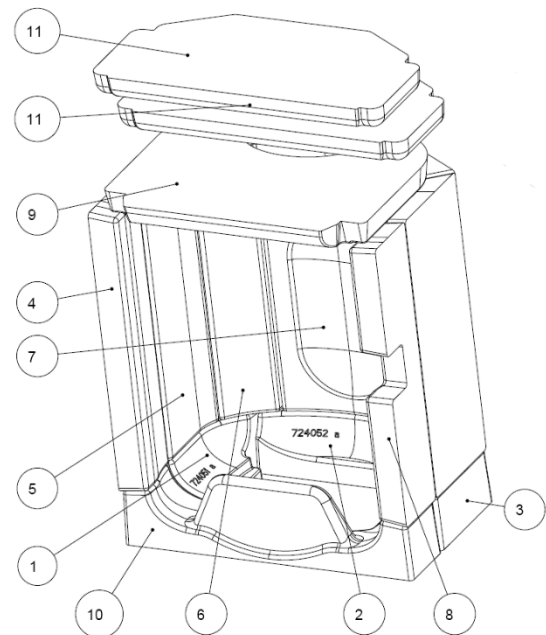
Description	No.drawing	Part number
Grate		724079
Keramott bottom left	1	724051
Keramott bottom rear	2	724052
Keramott bottom right	3	724056
Keramott wood retainer	10	724259
Keramott rear	7	724255
Keramott corner	6	724254
Keramott lateral left	4	724251
Keramott lateral right	8	724256
Keramott baffle 1	11	724288
Keramott baffle	9	724258
Keramott middle	5	724253

### Gaskets

Description	No.drawing	Part number
Gasket Ø6; L=1411 mm	1	710696
Gasket Ø14; L=2014 mm	2	714223

### Other parts

Description	No.drawing	Part number
Door complete	13	724321
Door glass	4	724329
Door handle	5	724335
Glass cleaner ½ litre	--	640070
Stove lacquer	--	650002



### Accessories

You can obtain floor plates of glass or steel or care products from your certified dealer.

**IMPORTANT:** Have defective parts replaced by your certified dealer. This will guarantee that your stove functions properly and safely.

The fireplace must not be altered.

### Maintenance

To clean the glass, please use a specialised product such as Thermohit glass cleaner. Lacquered surfaces are to be cleaned only with a cloth (may be damp). Special cleaning agents should also be used for stainless steel surfaces. Only gaskets in good order ensure the proper function of your stove!

### Cleaning

The stove, flue outlets and smoke pipes should be cleaned and inspected for deposits every year – if necessary more often, e.g. after the cleaning of the chimney. The chimney also has to be cleaned regularly by the chimneysweeper. Your chimneysweeper will inform you of the necessary inspection intervals. An expert should inspect the stove annually.

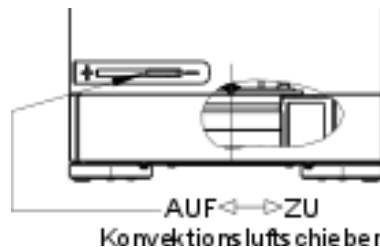


# SPECIAL FEATURES WOODY Xtra

## Xtra heat storing technology

The model WOODY Xtra have been equipped with the unique Xtra heat storing technology. This technology is based on the patented Heat Memory System, but also on the special flue gas guidance and the convection air which can be regulated or shut off completely. Consequently a fast heating system is being combined with an extraordinarily efficient heat storing.

The convection air can be regulated according to demand with the attached lever (see picture). The more the convection air outlets of the top plate are open, the faster heat but less heat storing can be reached. A closed top plate will however lead to slow heat and longer heat storing.



Konvektionsluftschieber = convection air lever

Our hint: while the fire still burns let the convection air outlets open; close them after the fire has burnt down in order to reach a steady heat emission.

## Operation with external air supply

**WOODY Xtra** can be operated with an external air connection. If the combustion air is being supplied directly to the furnace by an air-tight pipe including closing mechanism from the outside, then the stove may be used in residential property with mechanical ventilation.

If the stove is being used like that, a multiple stove installation on the same chimney is forbidden.

problem	possible reason	solution
door glass gets sooty too fast	bad chimney draught	generally: door glasses must be cleaned with Austroflamm glass cleaner from time to time (depending on the frequency of use) contact your chimney sweep (elongate chimney/draught metering)
	incorrect use of the combustion air supply lever	please operate air lever according to user's instructions (if secondary air is closed, the door glass soots rather fast)
	wood logs are too large	keep to the max. fuel quantity according to user's instruction
	operating temperature was not reached	more fuel, use dry wood (< 15 % residual moisture), attend air regulation
stove does not get enough combustion air	chimney draught not sufficient	contact your chimney sweep (elongate chimney/draught metering)
	stove is sooted inside	more fuel, use dry wood (< 15 % residual moisture), attend air regulation
stove smells strongly and there is smoke on the outside surface	baking phase of the varnish	there may be some odour development during the first operations
	stove is dusty/dirty	cleaning before the heating season starts!
exhaust gas emission while putting more wood on the fire and during operation	chimney draught not sufficient, flue pipe connection leaky	inspect joints and seal up again if necessary check chimney draught, examine operating - for info video follow: <a href="http://www.austroflamm.com/de/Video/index.html">http://www.austroflamm.com/de/Video/index.html</a>
	the stove door was opened before the wood has burnt down to embers	put more fuel wood into the combustion chamber only if there are only embers left (no more visible flame)



**MODEL - WOODY**  
**075002**  
**SERIAL NO:**

TESTED BY	TEST REPORT NO
AUSTRALIA SOLID FUEL TESTING	ASFT17118
3 GARDEN STREET MORWELL	DATED: 22/12/2017
VIC 3840 AUSTRALIA	

WHEN TESTED IN ACCORDANCE WITH AS/NZS4012:2014  
& AS/NZS4013:2014

MAXIMUM AVERAGE HEAT OUTPUT  
BURNING HARDWOOD 5.5kW  
OVERALL AVERAGE EFFICIENCY BURNING HARDWOOD  
64%  
PARTICULATE EMISSIONS FACTOR  
1.0g/kg

**IMPORTED BY:**  
CASTWORKS 57  
INDUSTRIAL DRIVE  
BRAESIDE VIC 3195,  
AUSTRALIA.

**MANUFACTURED BY:**  
AUSTROFLAMM  
AUSTROFLAMM-PLATZ 1  
A-4631 KRENLBACH  
AUSTRIA

## Guarantee

We guarantee full functionality of the stove carcass for 6 years and all stove components made of steel or cast iron for a full two years from the date of purchase. Steel and cast-iron components which show defect in materials or workmanship during the guarantee period shall be replaced with new components.

We do not guarantee wearable components (such as Keramott, gaskets, floor grid), surface coatings, lacquer, glass and ceramics.

### Conditions of the Guarantee:

1. Your AUSTROFLAMM stove was installed by a certified professional and is operated in accordance with the operator's manual.
2. Claims to the guarantee shall be subject to a completely filled-out Guarantee Card and submittal of the original invoice issued by a certified AUSTROFLAMM sales agent.

**IMPORTANT:** *Our guarantee includes the free provision of spare parts. Labour and call-out fees for disassembly and assembly as well as shipping and handling charges are not included. An unjustified claim under guarantee will be debited to the operator.*



Im Garantiefall ausschneiden und Ihrem AUSTROFLAMM-Fachhändler vorlegen!  
In the event of claims to the guarantee, separate here and present this proof of purchase to your certified AUSTROFLAMM dealer.

## GARANTIE / GUARANTEE / GARANZIA / GARANTIE

Dealer's Stamp

--	--	--	--	--	--	--	--	--	--

Date of purchase:

Name of model:

**WOODY / WOODY XTRA**

Serien No.

(see manufacturer's plate)

Installed by:

--	--	--	--	--	--	--	--	--	--

Mark
------

Customer :

--

Per:

--