

# Owners & Installation

# Manual

## LISTINGS AND CODE APPROVALS

These gas appliances have been tested in accordance with AS 5263.0, AS/NZS 5263.1.3 and have been certified by the Australian Gas Association for installation and operation as described in these Installation and Operating Instructions.

**Your unit should be serviced annually by an authorised service person.**



# Freestanding Gas Stove

Models: FG39-NG2  
FG39-LPG2



FireGenie™

## PLEASE KEEP THESE INSTRUCTIONS FOR FUTURE REFERENCE

<p><b>WARNING:</b> Improper installation, adjustment, alteration, service or maintenance can cause injury or property damage. Refer to this manual. For assistance or additional information consult an authorised installer, service agency or the gas supplier.</p>	<p><b>FOR YOUR SAFETY</b> What to do if you smell gas:</p> <ul style="list-style-type: none"><li>● Do not try to light any appliance</li><li>● Do not touch any electrical switch: do not use any phone in your building.</li><li>● Immediately call your gas supplier from a neighbour's phone. Follow the gas supplier's instructions.</li><li>● If you cannot reach your gas supplier, call the fire department.</li></ul>
<p><b>FOR YOUR SAFETY</b> Do not store or use gasoline or other flammable vapours and liquids in the vicinity of this or any other appliance.</p>	
<p>Installation and service must be performed by an authorised installer, service agency or the gas supplier.</p>	

## To the New Owner:

Congratulations! You are the owner of a state-of-the-art Regency Room Sealed Gas Stove by FPI Fireplace Products International Ltd. The Regency Gas Series of hand crafted appliances has been designed to provide you with all the warmth and charm of a woodstove. The models FG39-NG2 and FG39-LPG2 of this series has been approved by AGA. As it also bears our own mark, it promises to provide you with economy, comfort and security for many trouble free years to follow. Please take a moment now to acquaint yourself with these instructions and the many features of your Regency Room Sealed Freestanding Gas Stove.

### PAIRING YOUR REMOTE CONTROL

**The control box will only learn the remote ID codes during the first 30 seconds after power is applied and will ignore this special command from the remote afterward.**

To match the control box to the remote, follow the steps below:

1. Remove a battery from the remote handset.
2. Remove main power to the control box by turning off the isolation switch or switch on the GPO to the heater.
3. Wait 30 seconds (approx.)
4. Reconnect main power to the control box.
5. Immediately put the battery back in the remote & point the remote in the direction of the heater.
6. Press and hold the PROG and FAN buttons simultaneously. The letters "LC" will appear on the display indicating ID code transmission.
7. Release both buttons.
8. The display will revert to the normal off mode display. The heater should light - spark, burner, etc. - even though the remote screen says the heater is off.
9. Press the OFF button on the remote. The heater should turn off.
10. Wait approx. 30 seconds to turn the heater on again & check that all functions work - fan speed and flame height can be adjusted, etc.

Note: To view a step-by-step pairing video please visit [regency-fire.com.au/Customer-Care/Fireplace-Care-Videos](http://regency-fire.com.au/Customer-Care/Fireplace-Care-Videos)

Note: The remote control handset has a set of unique ID codes that is pre-programmed into its memory. This set of ID codes helps to differentiate one remote control handset from another; only the control box with a matching ID code will respond to a handset.



## **WARNING**

DO NOT turn your fireplace on via any means or allow to be turned on unless you have conducted a thorough inspection of the area surrounding the fireplace immediately prior to its use, and you have satisfied yourself that there are no materials or other items in proximity to the fireplace which could present a fire risk.

DO NOT turn your fireplace on via any means or allow to be turned on if there are any unsupervised children, infirm or pets in the area surrounding the fireplace.

DO NOT use this fireplace, unless you have read this Manual, and strictly adhere to the user requirements and warnings set out in this Manual.

## **RELEASE**

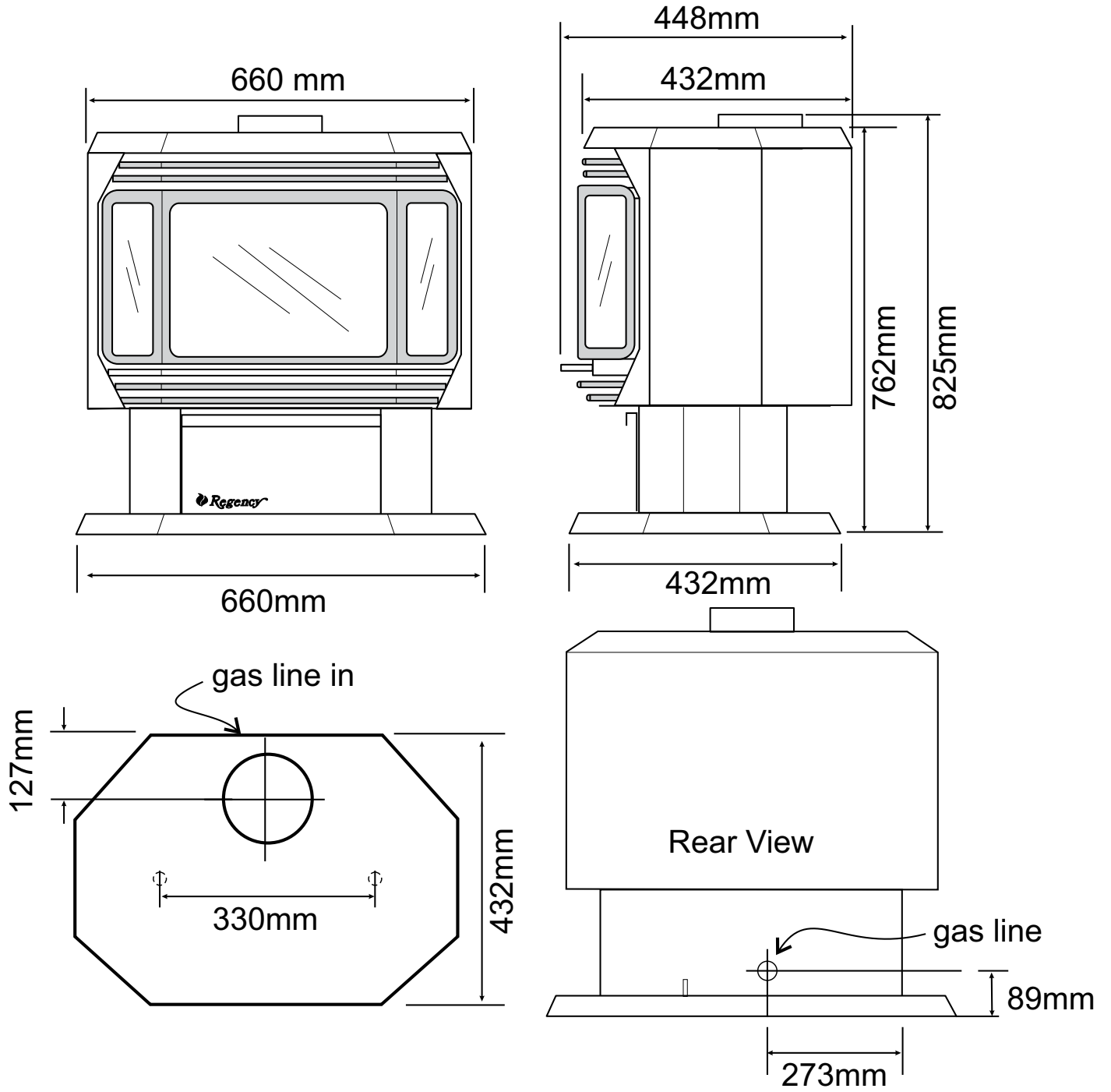
Without limiting any other acknowledgement, release or indemnity given by you, or limitation of liability, in favour of Fireplace Products Pty Ltd ("Company"), you irrevocably and unconditionally acknowledge and agree that failure to comply with, or strictly adhere to, the requirements and warnings set out in this Manual ("User Requirements") may result in:

1. damage to the fireplace;
2. damage to property;
3. a house fire;
4. severe burns or other personal injury; and/or
5. death.

Subject to any remedy, guarantee, term, condition, warranty, undertaking, inducement or representation, implied or imposed by any legislation which cannot lawfully be excluded or limited, and to the maximum extent permitted by law:

1. the Company will not be liable for any damage, personal injury or death arising out of or in connection with your failure to comply with any User Requirement; and
2. you release the Company from all claims, actions, proceedings, liabilities, losses and damages in relation to death, any personal injury or property damage arising out of or in connection with your failure to comply with any User Requirement.

# dimensions



# table of contents

## Safety Label

Data Badge..... 6

## Installation

Specifications..... 7  
Before You Start..... 7  
General Safety Information ..... 7  
Installation Checklist..... 8  
Clearances to Combustibles..... 8  
Locating Your Regency Gas Stove..... 8  
Combustion and Ventilation Air..... 8  
Louver Installation..... 9  
Flueing Introduction ..... 9  
Installation Precautions..... 9  
Safety Precautions for the Installer ..... 9  
Exterior Flue Termination Locations ..... 10  
Flueing Arrangements - Horizontal  
Terminations For All Systems..... 11  
Flueing Arrangements - Vertical Terminations  
Using Dura-Flue Flueing System ..... 11  
Flue Restrictor Position ..... 11  
Direct Flue ZC Top Exit Flue Kit..... 12  
DV Stove Horizontal Vent Kit Installation ..... 13  
Dura-Flue Termination ..... 19  
Dura-Flue Components ..... 19  
Dura-Flue Horizontal Installations ..... 20  
Dura-Flue Vertical Termination..... 21  
Gas Connection ..... 22  
Gas Pipe Pressure Testing ..... 22  
Valve Description..... 22  
Aeration Adjustment..... 22  
System Data Chart ..... 22  
Conversion Kit For NG to LPG..... 23  
Log Set Installation ..... 25  
Front Door Installation..... 27  
Optional Remote Control ..... 27  
Final Check..... 27  
Wiring Diagram ..... 28

## Operating Instructions

Operating Instructions ..... 29  
Lighting Instructions..... 29  
Resetting the Unit ..... 29  
Shutdown Instructions..... 29  
First Fire..... 29  
Fan Operation ..... 29  
Adjusting Flame Height..... 29  
Summary of Controls..... 30  
Pilot Adjustment..... 30  
Normal Operating Sounds of Gas Appliances ..... 30  
Copy of Lighting Plate Instructions ..... 31

## Maintenance

Maintenance Instructions..... 32  
Log Replacement ..... 32  
Door Gasket..... 32  
Latch Adjustment..... 32  
Glass Replacement ..... 33  
Fan Maintenance ..... 33  
Fan Removal ..... 33  
Fan Replacement..... 33  
Removing Valve Tray ..... 34  
Troubleshooting Guide..... 35  
Gas Maintenance..... 37

## Parts List

Electronic Components ..... 38  
Main Assembly ..... 39  
Burner and Log Assembly ..... 41  
Door Assembly..... 42

## Warranty

Warranty ..... 44

# safety decal


This is a copy of the label that accompanies each REGENCY FG39 Freestanding Gas Stove. We have printed a copy of the contents here for your review. The data plat is located on the inside of the drop down pedestal door.

**NOTE:** Regency units are constantly being improved. Check the label on the unit and if there is a difference, the label on the unit is the correct one.

Regency Gas Fireplace		
Model	○	○
Gas Type	NG	LPG
Model	<b>FG39-NG2</b>	<b>FG39-LPG2</b>
Gas Consumption High	40MJ/h	38MJ/h
Gas Consumption Low	20MJ/h	19MJ/h
Manifold Pressure High	0.94 kPa	2.55 kPa
Manifold Pressure Low	0.27 kPa	0.72 kPa
Injector Size	1x#32 2.95mm	1x#50 1.78mm

AGA 6240 G  
AS 5263.0 & AS/NZS 5263.1.3

Electrical: 240VAC 50Hz 1.0 amp

 **N2134**

Serial Number 261

Distributed by:  
Western Australia:  
**Air Group Australia**  
28 Division St  
Welshpool WA 6106

Eastern Australia  
**Fireplace Products**  
**Australia Pty. Ltd.**  
99 Colemans Road  
Dandenong South  
Vic. Australia 3175

New Zealand:  
**Aber Holdings Ltd.**  
17 Mainstreet Place,  
Te Rapa,  
Hamilton, New Zealand

To be installed by an authorised person in accordance with installation instructions provided with the appliance.

919-863a



**DO NOT** OPERATE THIS APPLIANCE BEFORE READING THE INSTRUCTIONS BOOKLET.

**DO NOT** PLACE ARTICLES ON OR AGAINST THIS APPLIANCE

**DO NOT** STORE CHEMICALS OR FLAMMABLE MATERIALS NEAR THIS APPLIANCE.

**DO NOT** OPERATE WITH PANELS, COVERS OR GUARDS REMOVED FROM THIS APPLIANCE.

908-602c

**THE GUARD IS FITTED TO THIS APPLIANCE TO REDUCE THE RISK OF FIRE OR INJURY FROM BURNS AND NO PART OF IT SHOULD BE PERMANENTLY REMOVED.**

**FOR PROTECTION OF YOUNG CHILDREN OR THE INFIRM, A SECONDARY GUARD IS REQUIRED.**

908-591



## WARNING!



**HOT GLASS WILL CAUSE BURNS**

**DO NOT TOUCH GLASS UNTIL COOLED**

**NEVER ALLOW CHILDREN TO TOUCH GLASS**

## IMPORTANT: SAVE THESE INSTRUCTIONS

The REGENCY Room Sealed Freestanding Gas Stove must be installed in accordance AS/NZS 5601 and with these instructions. Carefully read all the instructions in this manual first. Consult the building authority having jurisdiction to determine the need for a permit prior to starting the installation.

**Note:** Failure to follow the instructions could cause a malfunction of the heater which could result in death, serious bodily injury, and/or property damage. Failure to follow these instructions may also void your fire insurance and/or warranty.

**Note:** These instructions take precedence over Simpson Dura-Flue instructions.

## SPECIFICATIONS

**Fuels:** FG39-NG2 is approved for use with NG.

FG39-LPG2 is approved for use with liquified petroleum gases (LPG).

**Electrical:** 240V A.C. system.

**Circulation Fan:** 3 speed fan

**Log Sets:** Ceramic fibre, 7 per set.

**Flue System:** Coaxial rigid flue and termination cap.

## BEFORE YOU START

Safe installation and operation of this appliance requires common sense, however, we are required by the ANSI Standards to make you aware of the following:

**INSTALLATION AND REPAIRS SHOULD BE DONE BY AN AUTHORIZED SERVICE PERSON. THIS APPLIANCE SHOULD BE INSTALLED, REPAIRED, INSPECTED BEFORE USE AND AT LEAST ANNUALLY BY AN AUTHORISED SERVICE PERSON.**

**MORE FREQUENT CLEANING MAY BE REQUIRED DUE TO EXCESSIVE LINT FROM CARPETING, ETC. IT IS IMPERATIVE THAT THE CONTROL COMPARTMENT, BURNERS AND CIRCULATING AIR PASSAGEWAYS OF THE APPLIANCE BE KEPT CLEAN.**

**DUE TO HIGH TEMPERATURES, THE APPLIANCE SHOULD BE LOCATED OUT OF TRAFFIC AND AWAY FROM FURNITURE AND DRAPERIES.**

**WARNING: FAILURE TO INSTALL THIS APPLIANCE CORRECTLY WILL VOID YOUR WARRANTY AND MAY CAUSE A SERIOUS HOUSE FIRE.**

**CHILDREN AND ADULTS SHOULD BE ALERTED TO THE HAZARDS OF HIGH SURFACE TEMPERATURES, ESPECIALLY THE FIREPLACE GLASS, AND SHOULD STAY AWAY TO AVOID BURNS OR CLOTHING IGNITION.**

**YOUNG CHILDREN SHOULD BE CAREFULLY SUPERVISED WHEN THEY ARE IN THE SAME ROOM AS THE APPLIANCE.**

**CLOTHING OR OTHER FLAMMABLE MATERIAL SHOULD NOT BE PLACED ON OR NEAR THE APPLIANCE.**

1. Provide adequate clearances for servicing, proper operation and around the air openings into the combustion chamber.
2. The appliance may be installed on a flat, solid, continuous surface (e.g. wood, metal, concrete). This may be the floor, or it can be raised up on a platform to enhance its visual impact. The appliance may be installed on carpeting, tile, wood flooring or other combustible material, because the appliance's metal pedestal base extends the full width and depth of the appliance. The Regency Room Sealed Freestanding Gas Stove can be installed in a wide variety of ways and will fit nearly any room layout. It may be installed in a recessed position, framed out into the room, or across a corner.
3. The Regency Room Sealed Freestanding Gas Stove is approved for alcove installations, which meet the clearances listed on page 7. This unit is approved for manufactured home installations, see page 10 for the required flue arrangements. If installed into a manufactured home the unit must be bolted down to the floor.

4. This appliance is Listed for bedroom installations when used with a Listed Millivolt Thermostat. Some areas may have further requirements, check local codes before installation.
5. This appliance is Listed for Alcove installations, maintain minimum Alcove clearances as follows, minimum width of 1219mm, a maximum depth of 914mm, and minimum ceiling height of 1626mm.
6. We recommend that you plan your installation on paper using exact measurements for clearances and floor protection before actually installing this appliance. Have an authorised building inspector review your plans before installation.

## GENERAL SAFETY INFORMATION

1. The appliance shall be installed in accordance with the manufacturer's installation instructions, local gas fitting regulations, municipal building codes, water supply regulations, electrical wiring regulations, with AS/NZS 5601.
2. **Installation and repair should be done ONLY by an authorised person.**
3. **DO NOT CONNECT TO MASONRY FLUE.**
4. **This appliance must be connected to the specified flue and termination cap to the outside of the building envelope. Never flue to another room or inside a building. Make sure that the flue is fitted as per Flueing instructions.**
5. Inspect the flueing system annually for blockage and any signs of deterioration.
6. Flueing terminals shall not be recessed into a wall or siding.
7. Any safety glass removed for servicing must be replaced prior to operating the appliance.
8. To prevent injury, do not allow anyone who is unfamiliar with the operation to use the fireplace.
9. Wear gloves and safety glasses for protection while doing required maintenance.
10. Be aware of electrical wiring locations in walls and ceilings when cutting holes for termination.



# installation

11. Under no circumstances should this appliance be modified. Parts that have to be removed for servicing should be replaced prior to operating this appliance.
12. Installation and any repairs to this appliance should be done by an authorised service person. An authorised service person should be called to inspect this appliance annually. Make it a practice to have all of your gas appliances checked annually.
13. Do not slam shut or strike the glass door.
14. Under no circumstances should any solid fuels (wood, paper, cardboard, coal, etc.) be used in this appliance.
15. The appliance area must be kept clear and free of combustible materials, (gases and other flammable vapours and liquids).

## INSTALLATION CHECKLIST

1. Check Clearances to Combustibles, location of unit and flueing requirements.
2. Install Louvers.
3. Install flueing, either with the DV Stove Horizontal Flue Kit or the Dura-Flue Termination kits. Set Flue Restrictors.
4. Make gas connections. Test the pilot. Must be as per diagram.
5. If necessary, convert to LPG or convert to lower BTU rating.
6. Test Gas Pressure.
7. Install log set.
8. Install Front Door Front.
9. Install optional Remote Control.
10. Final check.

Before leaving this unit with the customer, the installer must ensure that the appliance is firing correctly and **operation fully explained to customer.**

### This includes:

- 1) Clocking the appliance to ensure the correct firing rate (rate noted on label) after burning appliance for 15 minutes.
- 2) If required, adjusting the aeration to ensure that the flame does not carbon. First allow the unit to burn for 15-20 min. to stabilize.

**CAUTION: Any alteration to the product that causes sooting or carboning that results in damage is not the responsibility of the manufacturer.**

## CLEARANCES TO COMBUSTIBLES

The clearances listed are MINIMUM distances. Measure the clearance to both the appliance and the chimney connector. **The farthest distance is correct if the two clearances do not coincide.**

For example, if the appliance is set as indicated in one of the figures but the connector is too close, move the stove until the correct clearance to the connector is obtained.

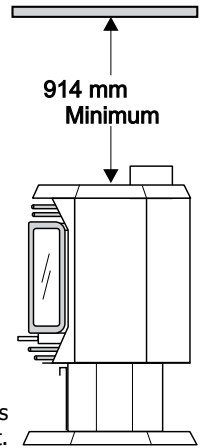
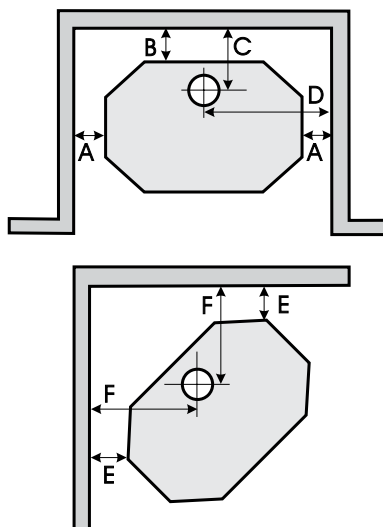
This appliance may be installed only with the clearances as shown in the situations pictured. **Do not combine clearances from one type of installation with another in order to achieve closer clearances.**

This unit can be installed on a solid combustible surface like a wood floor. This unit can also be installed directly on carpeting or vinyl when the bottom pedestal cover plate (provided with unit) is installed.

Use the minimum clearances shown in the diagrams below:

## CLEARANCES

A Side Wall to Unit	190 mm
B Back Wall to Unit	150 mm
E Side Wall to Unit	50 mm
C Back Wall to Flue Centerline	280 mm
D Side Wall to Flue Centerline	521 mm
F Side Wall to Flue Centerline	280 mm



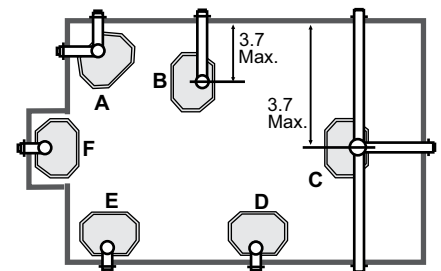
Minimum ceiling height is 914 mm from top of unit.

## LOCATING YOUR REGENCY GAS STOVE

When selecting a location for your stove, ensure that the clearances listed above are met as well as ensuring that there is adequate accessibility for servicing and proper operation.

- A) Cross Corner
- B) Room Divider
- C) Island
- D) Flat on Wall
- E) Flat on Wall Corner
- F) Flush with Wall/ Alcove

For Flue Termination requirements, see page 9.



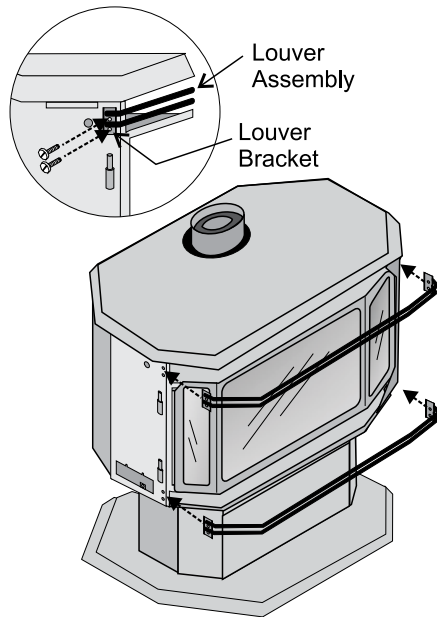
## COMBUSTION AND VENTILATION AIR

The combustion air from this appliance is drawn from outside the building through the outer flue. **Extra provision for combustion air inside the room is not required.**



## LOUVER INSTALLATION

Attach the top & bottom louvers to the side stove panel using 2 screws per side.



## FLUEING INTRODUCTION

The DV Stove Horizontal Flue Kit and the Simpson Dura-Flue Room Sealed System Model DV-GS flueing systems, in combination with the Regency Room Sealed Freestanding Gas Stove, FG39-NG2, and FG39-LPG2, have been tested and listed as direct flue heater systems by AGA.

These units use the "balanced flue" technology Co-Axial system. The inner liner flues products of combustion to the outside while the outer pipe draws outside combustion air into the combustion chamber thereby eliminating the need to use heated room air for combustion and losing warm room air up the chimney.

**Note: These flue pipes must not be connected to any other appliance.**

The gas appliance and flue system must be flued directly to the outside of the building, and never be attached to a chimney serving a separate solid fuel or gas burning appliance. Each direct flue gas appliance must use its own separate flue system. Common flue systems are prohibited.

### IMPORTANT

Read all instructions carefully before starting the installation. Failure to follow these instructions may create a fire or other safety hazard, and will void the warranty. Be sure to check the flueing and clearance to combustible requirements. Consult your local building codes before beginning installation.

The location of the termination cap must conform to the requirements in the Exterior Flue Termination Locations diagram on page 9.

## INSTALLATION PRECAUTIONS

These flueing systems are engineered products that have been designed and tested for use with the FG39-NG2, and FG39-LPG2. The warranty will be voided and serious fire, health or other safety hazards may result from any of the following actions:

1. Installation of any damaged Room Sealed component
2. Unauthorised modification of the Room Sealed System
3. Installation of any component part not manufactured or approved by Simpson Dura-Flue or FPI Fireplace Products International Ltd.
4. Installation other than as instructed by Simpson Dura-Flue and FPI Fireplace Products International Ltd.

**Warning: Always maintain required clearances (air spaces) to nearby combustibles to prevent a fire hazard. Do not fill air spaces with insulation.**

Be sure to check the flue termination clearance requirements from decks, windows, soffits, gas regulators, air supply inlets and public walkways as specified in the Exterior Flue Terminal Locations on page 9 and in your local building codes.

**The gas appliance and flue system must be flued directly to the outside of the building, and never be attached to a chimney serving a separate solid fuel or gas-burning appliance.** Each direct flue gas appliance must use its own separate flue system. Common flue systems are prohibited.

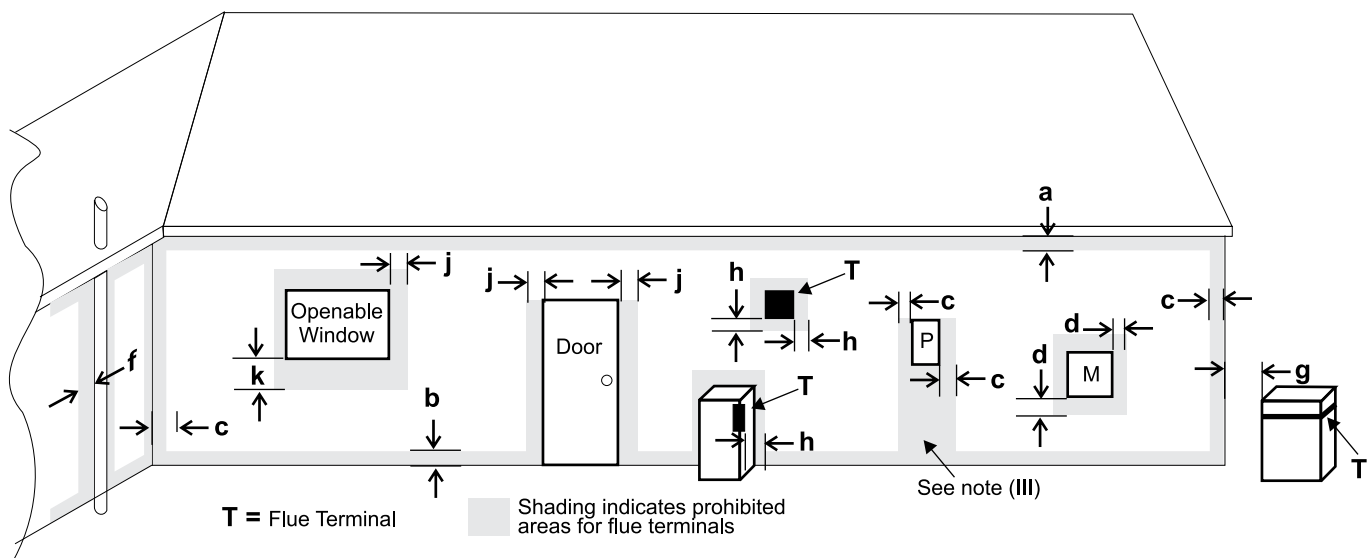
---

## SAFETY PRECAUTIONS FOR THE INSTALLER

1. Wear gloves and safety glasses for protection.
2. Exercise extreme caution when using ladders or on roof tops.
3. Be aware of electrical wiring locations in walls and ceilings.

# installation

## EXTERIOR FLUE TERMINATION LOCATIONS



### Minimum clearances required for balanced flue terminals or the flue terminals of outdoor appliances according to AS/NZS5601

	Minimum Clearance (mm)
a Below eaves, balconies or other projections:	
- Appliances up to 50 MJ/h input	300
- Appliances over 50 MJ/h input	500
b From the ground or above a balcony	300
c From a return wall or external corner	500
d From a gas meter (M)	1000
e From an electricity meter or fuse box (P)	500
f From a drain or soil pipe	150
g Horizontal from any building structure (unless appliance is approved for closer installation) or obstruction facing a terminal	500
h From any other flue terminal, cowl or combustion air intake	500
j Horizontally from an openable window, door, or non-mechanical air inlet, or any other opening into a building, with the exception of sub-floor ventilation (see also Note (I)):	
- Appliances up to 150 MJ/h input	500
- Appliances over 150 MJ/h input	1500
k Vertically below an openable window, door, or non-mechanical air inlet, or any other opening into a building, with the exception of sub-floor ventilation (see also Note (I)): see table below	

### Clearance 'k' in mm

Space Heaters		All Other Appliances	
Up to 50 MJ/h input	Up to 50 MJ/h input	Over 50 MJ/h input to 150 MJ/h input	Over 150 MJ/h input
150	500	1000	1500

#### NOTES:

- (I) For mechanical air inlets, including spa blowers, the clearance 'j' and 'k' shall be 1500 mm in all cases.
- (II) All distances shall be measured vertically or horizontally along the wall to a point in line with the nearest part of the terminal.
- (III) Prohibited area below electricity meter or fuse box extends to ground level.
- (IV) A flue terminal of this type shall not be located under a roofed area unless the roofed area is fully open on at least two sides and a free flow of air at the appliance is achieved.

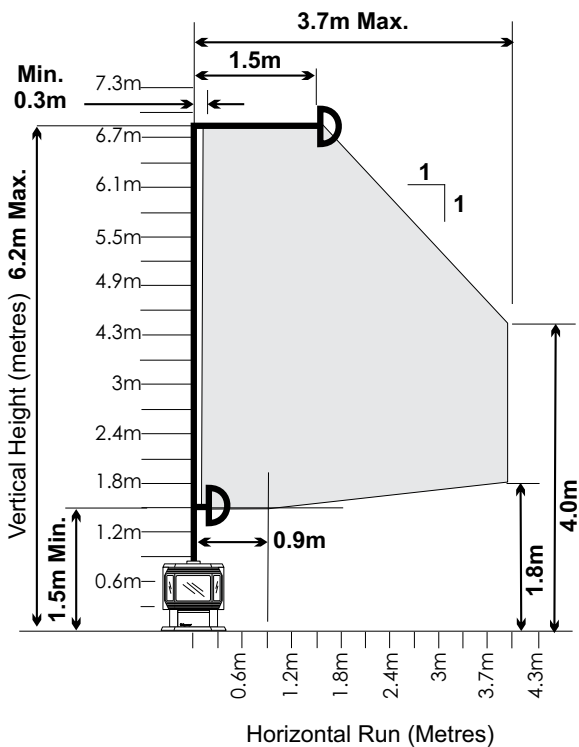
## FLUEING ARRANGEMENTS

### Horizontal Terminations for All Flueing Systems

The shaded areas in the diagram below show all allowable combinations of vertical runs with horizontal terminations. Maximum one 90° elbow (two 45° elbows equal one 90° elbow).

#### LPG and NG:

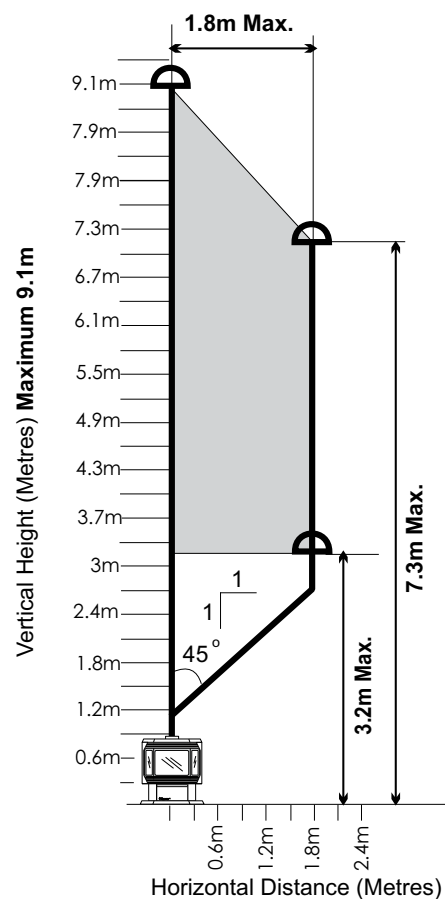
The flueing arrangements diagrammed below, have a minimum of 75% (flue loss) efficiency with Fan Off, as required for manufactured homes. (Actual efficiency may be as high as 85%)



### Vertical Terminations Using Dura-Flue Flueing System

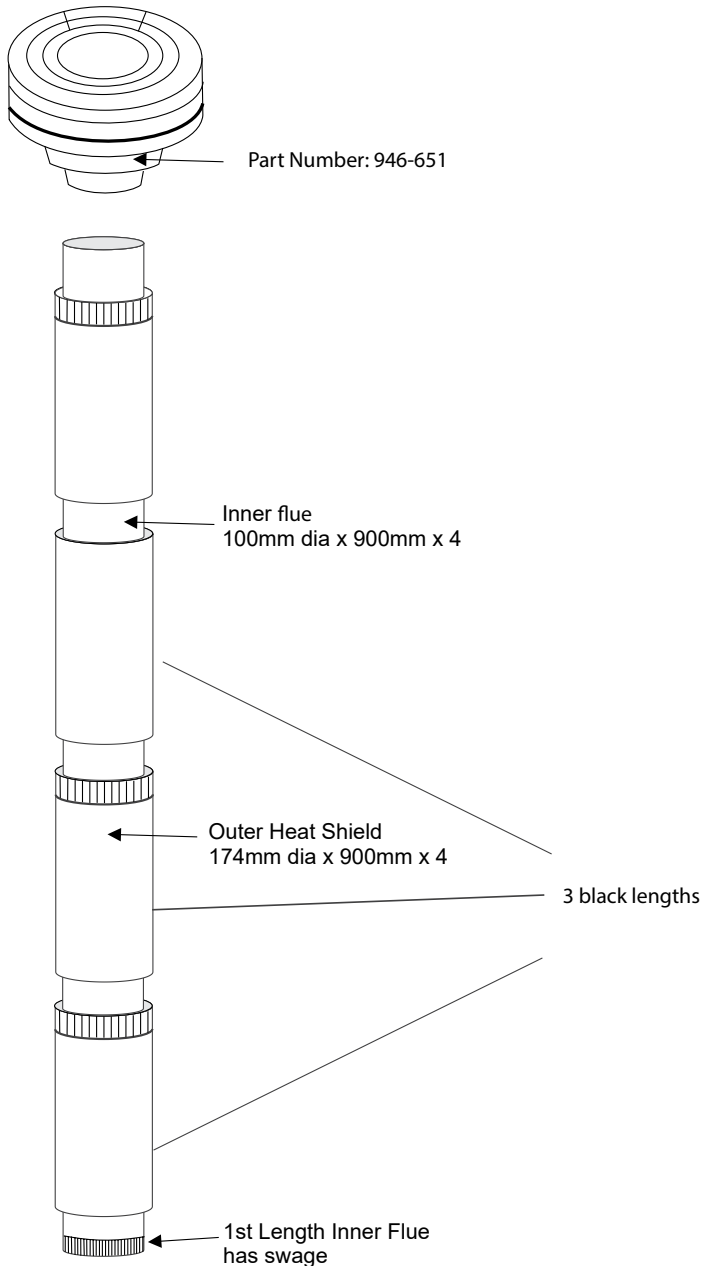
The shaded area in the diagram below shows all allowable combinations of straight vertical and offset to vertical runs with vertical terminations. Maximum two 45° elbows.

If the flue is ENCLOSED in a chase 234 mm x 234 mm maintain a 32mm clearance to combustibles.



# installation

## DIRECT FLUE ZERO CLEARANCE TOP EXIT VERTICAL FLUE KIT INSTALLATION INSTRUCTIONS -946-632



This flue kit has been manufactured for use with FG39 and to be installed in accordance with AS/NZS 5601. To ensure safety and correct unit operation this flue kit must be installed as outlined in these instructions. Heater and flue clearances from combustible materials must be in accordance with these instructions and AS/NZS 5601.

1. Locate the heater in its proposed position and mark the point for penetration directly above the centre of the heater flue outlet. Check the heater location allows the outer flue to clear all structural timber and combustible surfaces as per the manual.
2. If the enclosure consists of a ceiling – cut a 249 mm diameter round (minimum) for the flue to penetrate, cut hole through roofing material and prepare flashing for termination.
3. Starting at the heater, install first length of inner pipe, swage end down, using Mill-Pac sealant and self-tapping screws (or rivets). Inner pipe-continue with crimps up. The last inner flue is a female to female connection. Ensure all joints are sealed and fixed together.
4. Continue assembling flue pipes inner and outer, ensuring each inner joint is sealed using Mill-Pac sealant and self-tapping screws (or rivets). Outer flue pipe is to be installed with crimped end up then sealed and fixed together also. The last black outer section is a female to female connection. Outer galvanized flue sleeves over black flue. Ensure all joints are sealed and fixed together.
5. If required, fix outer flue in the ceiling space using non-combustible bracing to stop movement. On penetration of roof, fit an appropriate flashing or weather seal to suit the roofing material, ensure all joints outside are sealed with appropriate sealer.
6. Fit gas cowl or flomet cap (946-651) ensuring inner and outer flue pipes are sealed.
7. Start heater and run for at least 15 minutes to check flue seal. If operational issues are noted, check flue again to ensure proper seal of inner pipe.

**SUPPLIED Mill-PAC SEALANT MUST BE USED OR WARRANTY WILL BE VOID – IF REQUIRED, MORE SEALANT CAN BE PURCHASED USING PART NUMBER 948-128**

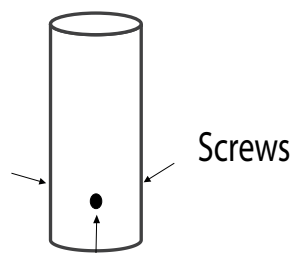
Gas cowl part number 46DVA-VCH or Flomet cap part number (946-651).

45° bends (if required) part number 946-649 – **Note:** Must be sealed with Mill-Pac sealant and self-tapping screws (or rivets).

**Note** – It is the installers responsibility to ensure the installation complies with AS/NZS 5601 and all local and building codes.



**MILL-PAC SEALANT  
INNER FLUE**



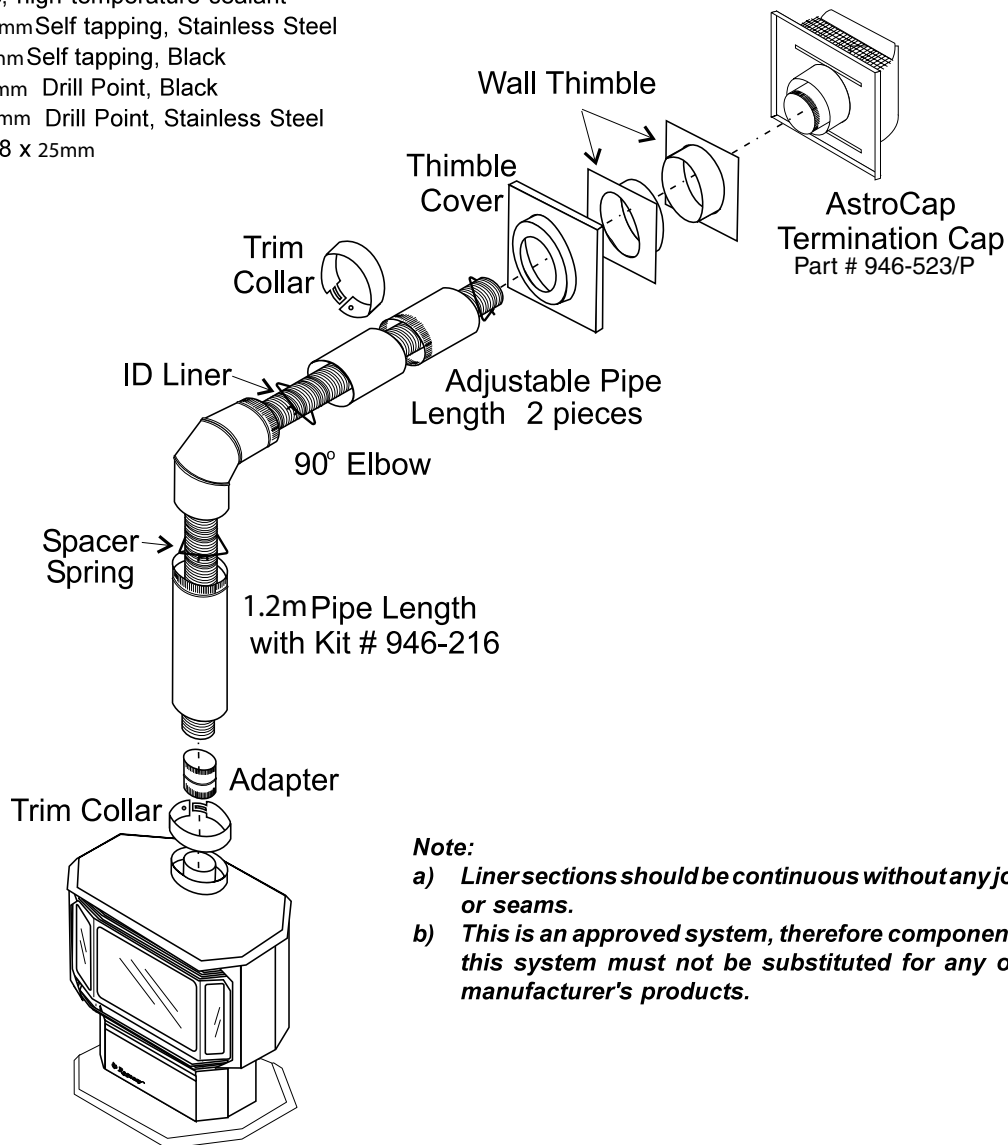
Screws

**NOTE:  
USE A MINIMUM OF 3 SCREWS  
EQUIDISTANT TO SECURE EVERY  
INNER & OUTER FLUE PIPE JOINT  
AS WELL AS MILL-PAC SEALANT**

## DIRECT FLUE (946-216) KIT INSTALLATION

DV 1.2m Flue Kit (946-216) includes parts needed to install the Freestanding Direct Vent unit with minimum horizontal and vertical vent dimensions. For installations that require longer vertical dimensions. For installations that require longer vertical and/or horizontal vents, see the Dura-Vent system as shown in the unit manual.

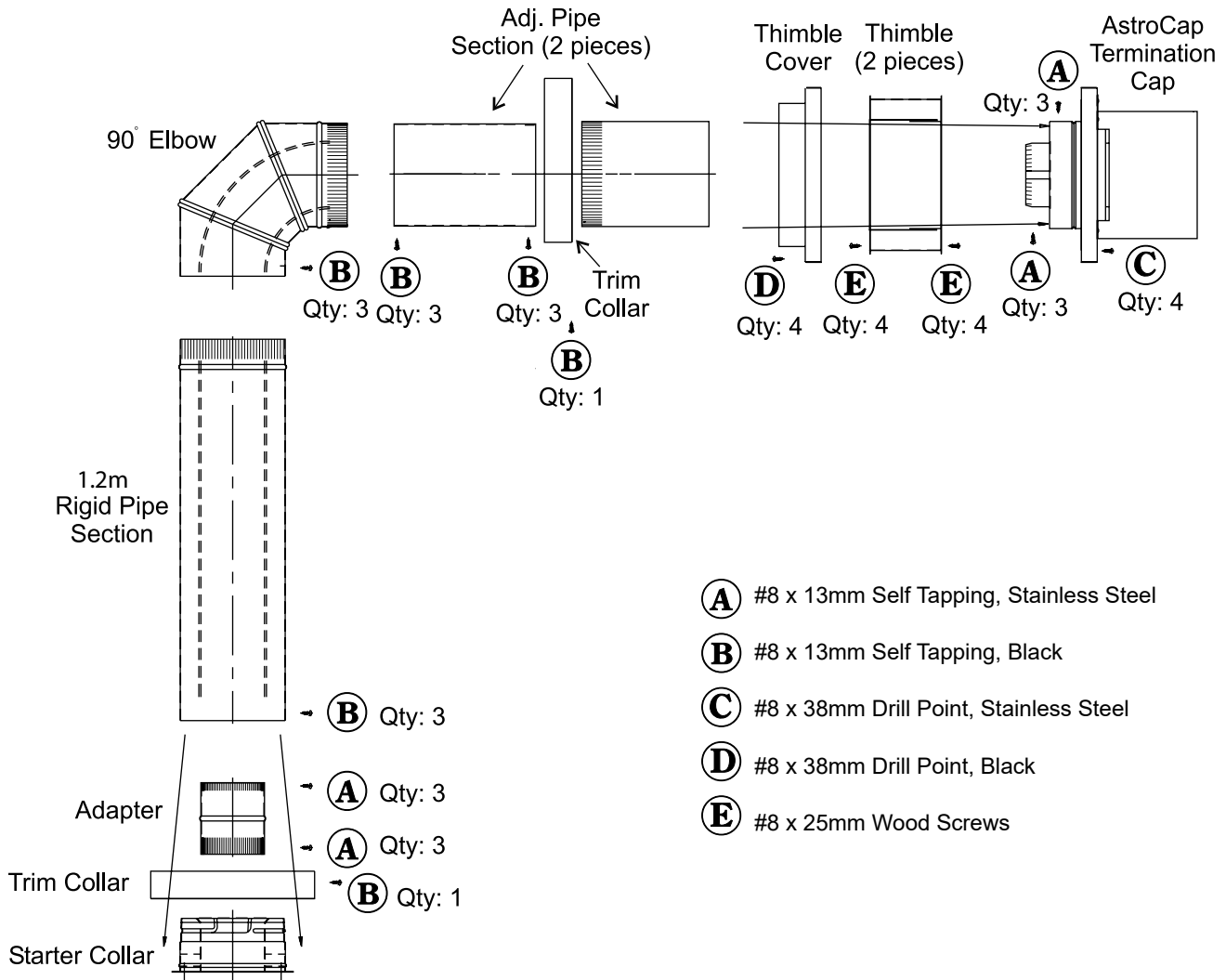
Qty.	Description
1)	1 Rigid Pipe Section
2)	1 Flex Liner, compressed aluminium 2 ply liner, 102mm inside diameter
3)	4 spring spacers
4)	1 90 deg. Elbow
5)	2 Adjustable pipe section 360mm x 610mm
6)	1 Thimble Cover
7)	1 Wall Thimble (2 pcs.)
8)	1 Adapter
9)	1 <b>AstroCap</b> Termination Cap
10)	2 Trim Collar
11)	1 tube of Mill-Pac, high temperature sealant
12)	12 Screws, #8 x 13mm Self tapping, Stainless Steel
13)	14 Screws, #8 x 13mm Self tapping, Black
14)	4 Screws #8 x 38mm Drill Point, Black
15)	4 Screws #8 x 38mm Drill Point, Stainless Steel
16)	8 Wood screws #8 x 25mm



**Note:**

- a) *Liner sections should be continuous without any joints or seams.*
- b) *This is an approved system, therefore components in this system must not be substituted for any other manufacturer's products.*

# installation



## DV STOVE HORIZONTAL VENT KIT INSTALLATION

Review the following sequence of instructions which are typical of most installations. The sequence may vary depending on wall thickness. Refer to your manual for vent location and clearance dimensions. If a Vent Restrictor is required it must be installed BEFORE any venting is attached to the stove.

- 1) Set the unit in its desired location. Check to determine if wall studs will be in the way of the venting system, adjust location until all clearances are met and there are no obstructions.

**Note:** A 38mm clearance around the outer pipe must be maintained except that only a 25mm clearance is needed at the termination end.

### IMPORTANT:

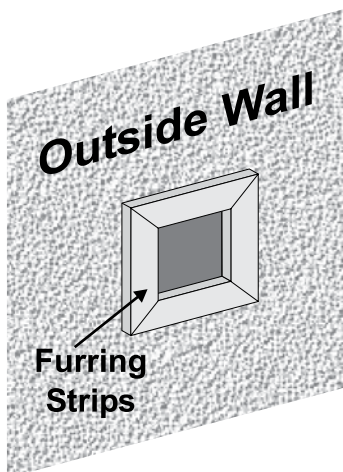
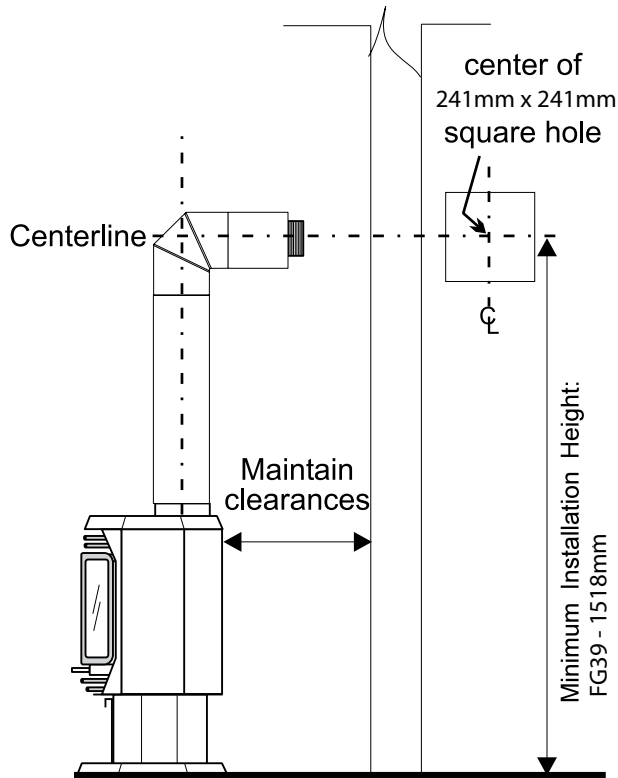
*Do not locate termination hood where excessive snow or ice buildup may occur. Be sure to check vent termination area after snow falls, and clear to prevent accidental blockage of venting system. When using snow blowers, make sure snow is not directed towards vent termination area.*

# installation

- 2) Before you cut your hole in the wall, ensure that the minimum height requirement has been met as per manufacturer's instructions.

NOTE: The minimum height varies by unit.

Cut a 241mm x 241mm square hole both the interior and exterior wall.



**Note:** If installing termination on a siding covered wall, a vinyl siding standoff or furring strips must be used to ensure that the termination is not recessed into the siding.

- 3) Install wall thimbles on both interior and exterior wall with 4 wood screws #8 X 25mm per thimble. Use a level to make sure the thimble is square.



Wall Thimble - level & secure with 4 screws.

- 4) For the Minimum Termination\* a 610mm vertical pipe section is required.
- a) Measure from the edge of the crimped end and make 4 marks on the pipe at the required length. Use the trim collar as a guide to connect up the marks.



Measure from crimped edge.



Use trim collar as a guide to 'connect the dots'.

\*For heights greater than the minimum termination, add the extra height measurement to the minimum (610mm) length. Example: a (76mm) above the minimum centerline means a (76mm) longer vertical pipe (686mm)



# installation

- b) Using tin snips cut the 1.2m section of rigid pipe on the mark. **Only cut the uncrimped end of the pipe.**



- 5) Trial Fit: Using only the outer pipe sections (vertical pipe, 90° elbow, and adjustable pipe section) assemble the pieces to ensure fit and compliance.

Dismantle trial fit assembly.



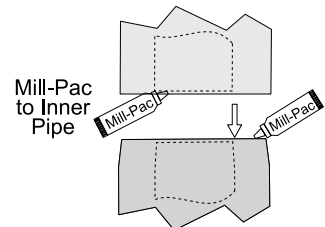
## Working from the Inside:

- 6) Install the 102mm adaptor into the starter collar. The longest crimped end goes down into the starter collar. Use Mill-Pac to seal and secure with 3 of the #8 x 13mm screws (stainless steel).



*Adaptor into Starter Collar:  
longest crimped end into the Starter Collar.*

**NOTE: All joints, inner and outer must be sealed with Mill-Pac.**



- 7) Slide one spring spacer over the flex pipe approx. (300mm) up from the end.



- 8) Slide the vertical pipe over the flex pipe and spacer.
- 9) Slide the flex over the adaptor and use Mill-Pac to seal and secure with 3 of the #8 x 13mm screws (stainless steel).



*Fit flex over adaptor and secure with Mill-Pac and 3 screws.*

- 10) Slide a 2nd spring spacer over the flex approx. 102-152mm above the vertical pipe.



- 11) Slide the 90° elbow over the flex. Secure to the vertical pipe using Mill-Pac to seal and secure with 3 of the #8 x13mm screws (black). Use the pre-drilled holes for the screws.



*Slide 90° elbow over flex*



*Secure 90° elbow to vertical pipe with Mill-pac and 3 screws.*

- 12) Install the 3rd spacer approx. half way between the elbow and the wall.



*Spring Spacer*

- 13) Slide the Thimble Cover over the flex and rest it on the elbow.

*Thimble Cover*



- 14) Slide both pieces of the adjustable pipe over the flex, the smaller dia. (male) section towards the elbow and the larger dia. (female) section towards the vent cap. Slide the flex and adjustable pipe sections through the wall thimble to the outside. **The vertical pipe seams should be turned towards the wall.**



- 15) Slide the trim collar over the adjustable pipe sections to cover the joint of the telescopic section.

- 16) Ensure that the stove is placed in the final position and confirm the rear wall clearance.

**Note: The adjustable sections may have to be cut to achieve the correct close clearance.**

### Working from the Outside:

- 17) Put Mill-pac on the **Astrocap** inner vent pipe.



- 18) Attach the **Astrocap** to the 102mm dia. flex liner ensuring that the flex overlaps the collar of the vent terminal by a minimum of (35mm). Use Mill-Pac to seal and secure with 3 of the #8 x13mm screws (stainless steel).



# installation

- 19) Apply Mill-pac to the exterior of the adjustable pipe section and fit the **Astrocap** over it and attach with 3 of the #8 x 13mm screws (stainless steel).



**Note:** The four screws provided for the vent cap should be replaced with appropriate fasteners for stucco, brick, concrete, or other types of sidings.

- 22) A bead of non-hardening silicon sealant should be run around the **Astrocap** to prevent water from entering and to ensure a tight seal between the cap and the standoff.

### Back Inside:

- 23) Using a level to keep everything level and square, secure all sections of pipe. Use Mill-Pac to seal and secure with 3 of the #8 x 13mm screws (black) per section.



**Note:** the last section of pipe to be secured will be the adjustable pipe section.

- 24) Slide the decorative Thimble Cover over the pipe sections and position on the wall using a level to keep it square and secure to the wall with 4 screws (#8 x 38mm drill point, black).

**Note:** The pipe seam should be facing down.



- 20) Slide the pipe and **Astrocap** assembly through the wall thimbles (from the exterior into the interior).

- 21) Secure the cap to the exterior wall with 4 of the supplied screws (#8 x 38mm drill point, stainless steel). Use a level to ensure that the **Astrocap** is installed square.



- 25) Install the trim collar over the starter collar and secure with a #8 x 13mm screw (black).



If the pipe needs to be touched up, use only Stove Brite High Temperature Metallic Black Stove Paint.

## DURA-FLUE TERMINATION

### Planning Your Dura-Flue Installation

There are two basic types of Dura-Flue Room Sealed System installations: horizontal termination and vertical termination. Confirm the maximum horizontal run and maximum vertical rise from the diagrams on page 10.

When planning your installation, it will be necessary to select the proper length of flue pipe for your particular requirements. For horizontal installations, determine the minimum clearance from the rear of the unit to the wall. It is also important to note the wall thickness. (The wall thimble is suitable for .6m x 1m or .6m x 2m wall construction.) Select the amount of vertical rise desired for "vertical-to-horizontal" type installations.

**Warning: Always maintain required clearances (air spaces) to nearby combustibles to prevent a fire hazard. Do not fill air spaces with insulation.**

The minimum clearance requirements between the outer wall of the flue pipe and nearby combustible surfaces is 32mm. Be sure to check the flue termination clearance requirements from decks, windows, soffits, gas regulators, air supply inlets and public walkways as specified in the Exterior Flue Termination Locations on page 9 and in your local building codes.

To determine the length of flue pipe required for vertical installations, measure the distance from the unit flue outlet to the ceiling, the ceiling thickness, the vertical rise in an attic or second storey, and allow for sufficient vertical height above the roof line.

For multi-storey applications, fire stops are required at each floor level. If an offset is needed, additional pipe, elbows and supports will be required.

Do not exceed the maximum number of elbows. One 90° for horizontal terminations and two 45° for vertical termination.

## DURA-FLUE COMPONENTS

You will require the following components with your new Regency Room Sealed Freestanding Gas Stove. Please review your product to make sure you have everything you need. In the flue that you are missing any part, contact your dealer.

**Note: These are the minimum pieces required. Other parts may be required for your particular installation. See below for a list of flue parts.**

If installing termination on a siding covered wall, a vinyl siding standoff or furring strips can be used in order to ensure that the termination is not recessed into siding.

The vinyl siding standoff is required for walls with vinyl siding.

### Minimum components for a Dura-Flue Horizontal Installation:

- A) Dura-Flue Horizontal Termination Kit
- B) Wall Thimble (required for combustible walls)

### Minimum components for a Dura-Flue Vertical Termination:

- C) Dura-Flue Vertical Termination Kit

The Simpson Dura-Flue Room Sealed System offers a complete line of component parts for installation of both horizontal and vertical installation. Many items are offered in decorative black, as well as galvanized finish. The galvanized pipe and fittings are used for concealed locations such as attics or where corrosion is a factor, such as above the roof line. Decorative brass trim kits are available for both wall thimbles and ceiling

support boxes.

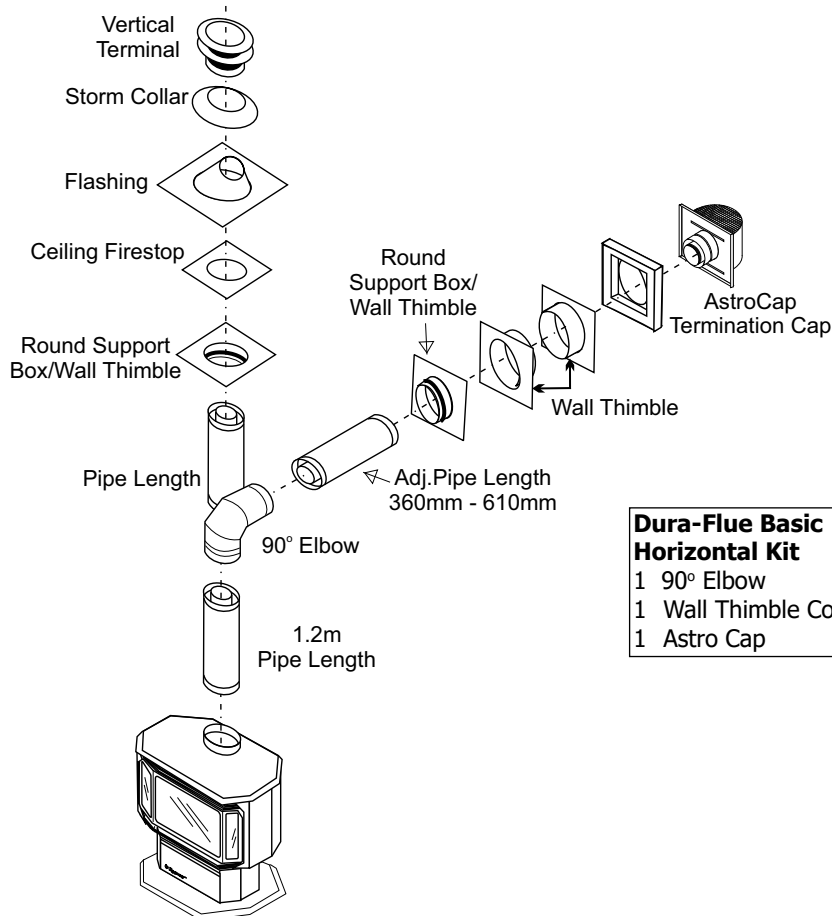
### Description

Horiz. Termination components:  
90° black elbow, wall thimble cover, horiz. square termination cap, 1.2m black pipe, 360mm-610mm adjustable black pipe

Basic Horiz. Termination Kit includes: 90° black elbow, wall thimble cover, horiz. square termination cap

Vert. Termination Kit includes 0/12 - 6/12 pitch adjustable flashing, storm collar, low profile term. cap

- 152mm Pipe Length-Black
- 229mm Pipe Length-Black
- 304mm Pipe Length Galv.
- 304mm Pipe Length-Black
- 610mm Pipe Length Galv.
- 610mm Pipe Length-Black
- 914mm Pipe Length Galv.
- 914mm Pipe Length-Black
- 1219mm Pipe Length Galv.
- 1219mm Pipe Length-Black
- 219mm - 372mm
- Adj. Pipe Length-Black
- 432mm - 610mm
- Adj. Pipe Length Black
- 45° Elbow Galv.
- 45° Elbow-Black
- 45° Elbow-Swivel Galv.



Dura-Flue Basic Horizontal Kit	
1	90° Elbow
1	Wall Thimble Cover
1	Astro Cap



# installation

- 90° Elbow-Swivel Galv.
- 45° Elbow-Swivel-Black
- 90° Elbow Galv.
- 90° Elbow-Black
- 90° Elbow-Swivel Galv.
- 90° Elbow-Swivel-Black
- High Wind Term. Cap (Vertical)
- Vertical Term. Cap
- Snorkel-356mm Rise Term.Cap
- Snorkel-914mm Rise Term.Cap
- Wall Thimble-Support/Box
- Cathedral/Ceiling-Support/Box
- Brass Trim-Wall Thimble/
- Ceiling Support
- Firestop Spacer
- Flashing 0/12-6/12
- Flashing 7/12-12/12
- Storm Collar
- Vinyl Siding Standoff
- Wall Strap
- Wall Thimble
- Flue Guard (Optional)
- Vinyl Siding Shield
- Astro Cap

## DURA-FLUE HORIZONTAL INSTALLATIONS

1. Set the unit in its desired location. Check to determine if wall studs or roof rafters are in the way when the flueing system is attached. If this is the case, you may want to adjust the location of the unit.
2. Room Sealed pipe and fittings are designed with special twist-lock connections to connect the flueing system to the appliance flue outlet. A twist-lock appliance adaptor is installed on the unit at the factory. Assemble the desired combination of pipe and elbows to the appliance adaptor with pipe seams oriented towards the wall or ceiling, as much out of view as possible. The final positioning of the pipe and 90° elbow assembly is determined by the mounting orientation of the adaptor on the stove and twist-locked for a solid connection.

**Note:**

- a) Twist-lock procedure: Four indentations, located on the female ends of pipes and fittings, are designed to slide straight onto the male ends of adjacent pipes and fittings, by orienting the four pipe indentations so they match and slide in to the four entry slots on the male ends (Diagram 1). Push the pipe sections completely together, then twist-lock one section clockwise approximately one-quarter turn, until the two sections are fully locked. The female locking lugs will not be visible from the outside on the Black Pipe or fittings. They may be located

by examining the inside of the female ends. Apply sealant "Mill-Pac" to inner pipe and high temp silicone sealant to outer pipe on every twist-lock joint.

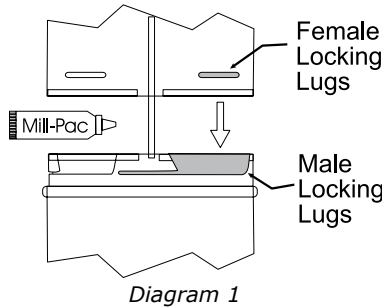


Diagram 1

Hint: Apply silicone to female end.

- b) Horizontal runs of flue must be supported every 0.9 meters. Wall straps are available for this purpose.
3. With the pipe attached to the stove, slide the stove into its correct location, and mark the wall for a 254 mm x 254 mm (inside dimensions) square hole. The center of the square hole should line up with the centerline of the horizontal pipe, as shown in Diagram 2. Cut and frame the 254 mm square hole in the exterior wall where the flue will be terminated. If the wall being penetrated is constructed of non-combustible material, i.e. masonry block or concrete, a (178mm) diameter hole is acceptable.

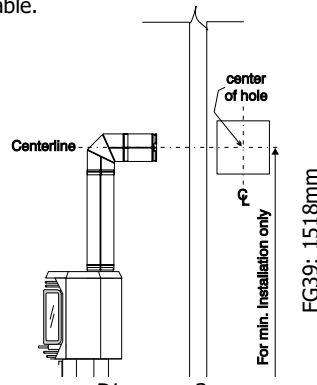


Diagram 2

**Note:**

- a) The horizontal run of flue should have a 6mm rise for every 0.3m of run towards the termination. Never allow the flue to run downward. This could cause high temperatures and may present the possibility of a fire.
- b) The location of the horizontal flue termination on an exterior wall must meet all local and national building codes, and must not be blocked or obstructed.

For External Flue Termination Locations, see Diagram on page 9.

4. If installing the flue termination to a wall with vinyl siding, the Vinyl Siding Standoff must be used. Attach the Vinyl Siding Standoff to the Horizontal Flue Termination, but first run a bead

of non-hardening mastic around its outside edges, so as to make a seal between flue cap and the standoff. Install the Vinyl Siding Standoff between the flue cap and the exterior wall and attach with the four wood screws provided. Seal around the Vinyl Siding Standoff on all four sides. Diagram 5. **The arrow on the flue cap should be pointing up.** Insure that the 32mm clearances to combustible materials are maintained. See Diagram 3.

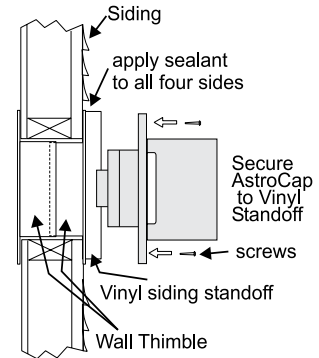


Diagram 3

**Note:** If installing termination on a siding covered wall, a vinyl siding standoff or furring strips must be used to ensure that the termination is not recessed into the siding. The four wood screws provided should be replaced with appropriate fasteners for stucco, brick, concrete, or other types of sidings.

5. Before connecting the horizontal run of flue pipe to the flue termination, slide the black decorative wall thimble cover over the flue pipe, then slide the Wall Thimble (Part # 46DVA-WT) over the flue pipe.
6. Slide the appliance and flue assembly towards the wall carefully inserting the flue pipe into the flue cap assembly. It is important that the flue pipe extends into the flue cap a sufficient distance so as to result in a minimum pipe overlap of 32mm. Secure the connection between the flue pipe and the flue cap using sheet metal screws provided. See Diagram 4. Install the wall thimble in the center of the 254 mm square hole and attach with wood screws.

## DURA-FLUE VERTICAL TERMINATION

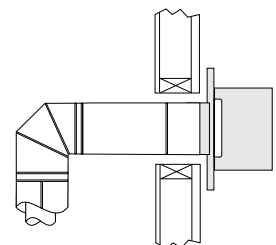


Diagram 4

7. Slide the decorative wall thimble up to the wall surface being careful not to scratch the paint and attach with screws provided. Apply decorative brass or chrome trim if desired. See Diagram 5.

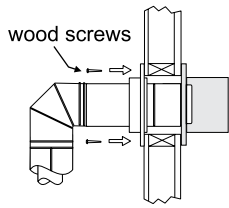


Diagram 5

1. Maintain the 32mm clearances (air spaces) to combustibles when passing through ceilings, walls, roofs, enclosures, attic rafter, or other nearby combustible surfaces. Do not pack air spaces with insulation. Check page 9 for the maximum vertical rise of the flueing system and the maximum horizontal offset limitations.

2. Set the gas appliance in its desired location. Drop a plumb bob from the ceiling to the position of the appliance flue exit, and mark the location where the flue will penetrate the ceiling. Drill a small hole at this point. Next, drop a plumb bob from the roof to the hole previously drilled in the ceiling, and mark the spot where the flue will penetrate the roof. Determine if ceiling joists, roof rafters or other framing will obstruct the flueing system. You may wish to relocate the appliance or to offset, as shown in Diagram 7 to avoid cutting load bearing members.

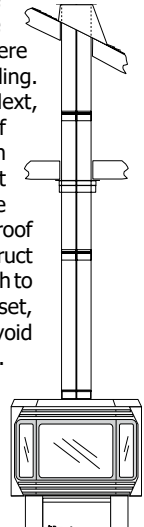


Diagram 6

3. To install the cover plate in a flat ceiling, cut a 234 mm minimum round hole in the ceiling.

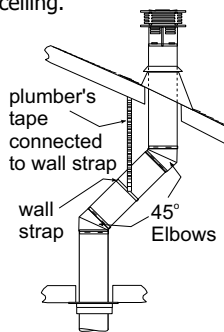


Diagram 7

4. Assemble the desired lengths of black pipe and elbows necessary to reach from the appliance adaptor up through the Round Support Box. Insure that all pipes and elbow connections are in the fully twist-locked position and sealed.

5. Cut a hole in the roof centred on the small drilled hole placed in the roof in Step 2. The hole should be of sufficient size to meet the minimum requirements for clearance to combustibles of (32mm) . Slip the flashing under the shingles (shingles should overlap half the flashing) as per Diagram 8.

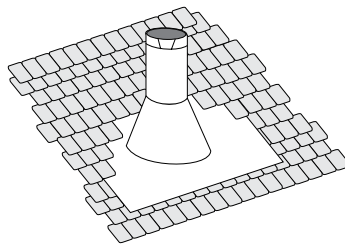


Diagram 8: The upper half of the flashing is installed under the roofing material and not nailed down until the chimney is installed. This allows for small adjustments.

**Note:** If an offset is necessary in the attic to avoid obstructions, it is important to support the flue pipe every 0.9m, to avoid excessive stress on the elbows, and possible separation. Wall straps are available for this purpose. See Diagram 5.

Galvanized pipe and elbows may be utilized in the attic as well as above the roof line. The galvanized finish is desirable above the roof line due to its higher corrosion resistance.

Continue to add pipe sections through the flashing until the height of the flue cap meets the minimum height requirements specified in Diagram 9 or local codes. Note that for steep roof pitches, the vertical height must be increased. A poor draft, or down drafting can result from high wind conditions near big trees or adjoining roof lines, in these cases, increasing the flue height may solve the problem.

7. Ensure flue is vertical and secure the base of the flashing to the roof with roofing nails, slide storm collar over the pipe section and seal with a mastic.
8. Install the vertical termination cap by twist locking it.

**Note:** Any occupied areas above the first floor, including closets and storage spaces, through which the vertical flue passes, must be enclosed.

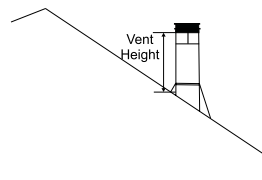


Diagram 9

Roof Pitch	Minimum Flue Height
	Meters
flat to 7/12	0.61
over 7/12 to 8/12	0.61
over 8/12 to 9/12	0.61
over 9/12 to 10/12	0.76
over 10/12 to 11/12	0.99
over 11/12 to 12/12	1.22
over 12/12 to 14/12	1.52
over 14/12 to 16/12	1.83
over 16/12 to 18/12	2.13
over 18/12 to 20/12	2.29
over 20/12 to 21/12	2.44

# installation

## GAS CONNECTION

The gas line should be rigid pipe. Copper may also be used if approved by AS/NZS5601-2013.

The gas connection at the valve is 1/2 male. For minimum and maximum supply pressure see the System Data Table.

## GAS PIPE PRESSURE TESTING

The appliance must be isolated from the gas supply piping system by closing its individual manual shut-off valve during any pressure testing of the gas supply piping system at test pressures equal to or less than 3.45 kPa. Disconnect piping from valve at pressures over 3.45 kPa.

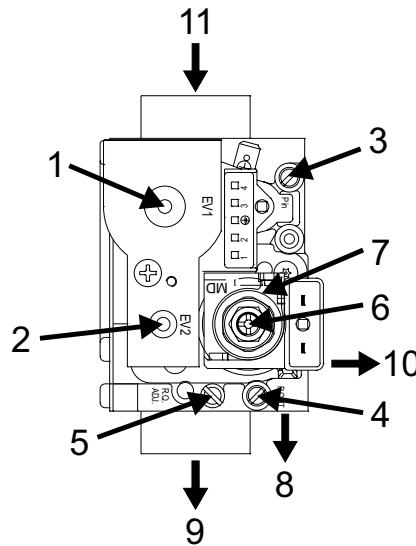
The manifold pressure is controlled by a regulator built into the gas control, and should be checked at the pressure test point.

**Note: To properly check gas pressure, both inlet and manifold pressures should be checked using the valve pressure ports on the valve.**

1. Make sure the valve is in the "OFF" position.
2. Loosen the "IN" (# 3) and/or "OUT" (# 4) pressure tap(s), turning counterclockwise with a 3mm wide flat screwdriver.
3. Attach manometer to "IN" and/or "OUT" pressure tap(s) using a 8mm ID hose.
4. Seal and or check the pilot outlet (# 8)
5. The pressure check should be carried out with the unit burning and the setting should be within the limits specified on the safety label.
6. When finished reading manometer, turn off the gas valve, disconnect the hose and tighten the screw (clockwise) with a 3mm flat screwdriver. Screw should be snug, but do not over tighten.

## SIT 845 VALVE DESCRIPTION

- 1) On-Off Solenoid Valve EV1
- 2) On-Off Solenoid Valve EV2
- 3) Inlet Pressure Test Point
- 4) Outlet Pressure Test Point
- 5) Connection for Pressure Regulator / Combustion Chamber Compensation
- 6) Pressure Regulator for Minimum and Maximum Outlet Pressure
- 7) Gas Outlet Pressure Electric Modulator
- 8) Pilot Outlet
- 9) Main Gas Outlet
- 10) Side Outlet
- 11) Main Gas Inlet



## System Data

### Burner Inlet Orifice Sizes:

Burner	NG #32 2.95mm	LPG #50 1.78mm
--------	---------------------	----------------------

<b>Max. Input</b>	NG LPG	40 Mj/h 38 Mj/h
-------------------	-----------	--------------------

<b>Min. Input</b>	NG LPG	20 Mj/h 19 Mj/h
-------------------	-----------	--------------------

<b>Supply Pressure</b>	NG LPG	min. 1.13 kPa min. 2.75 kPa
------------------------	-----------	--------------------------------

<b>Manifold Pressure</b>	NG LPG	.94 kPa 2.55kPa
--------------------------	-----------	--------------------

## AERATION ADJUSTMENT

The burner aeration is factory set but may need adjusting due to either the local gas supply or altitude.

NG	Fully Open
LPG	Fully Open

**Caution: Carbon will be produced if the air shutter is closed too much.**

**Note: Any damage due to carboning resulting from improperly setting the aeration controls is NOT covered under warranty.**



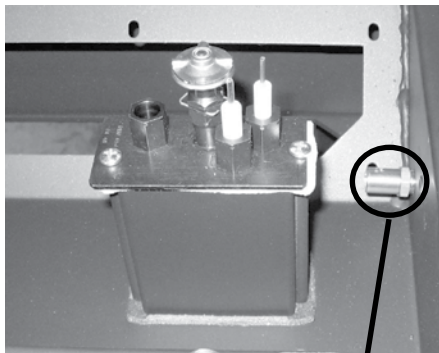
## CONVERSION KIT FOR NG TO LPG PART #360-968

**THIS CONVERSION MUST BE DONE BY A QUALIFIED GAS FITTER IF IN DOUBT DO NOT DO THIS CONVERSION !!**

### Conversion Kit contains:

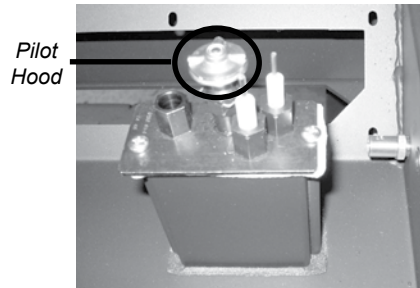
Qty.	Part #	Description
1	904-529	4m Allen Key
1	904-641	Burner Orifice #50
1	918-590	"Converted to LPG" label
1	919-728	Orange "Propane" label
1	910-037	#30 LP Pilot Orifice
1	919-867	Instruction Sheet

1. Shut off the gas supply and unplug the power cord.
2. Open the front door and carefully remove the logs and lava rock.
3. Remove burner.
4. Remove burner orifice with a 13mm wrench and discard. Use a wrench to hold on to the elbow behind the orifice.
5. Reinstall new burner orifice LPG stamped #50 and tighten.



Burner Orifice

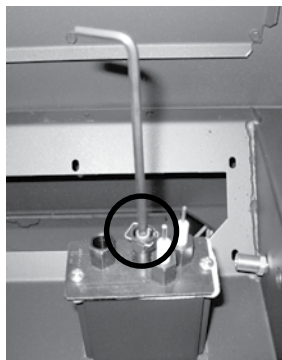
6. Pull out the pilot hood by hand.



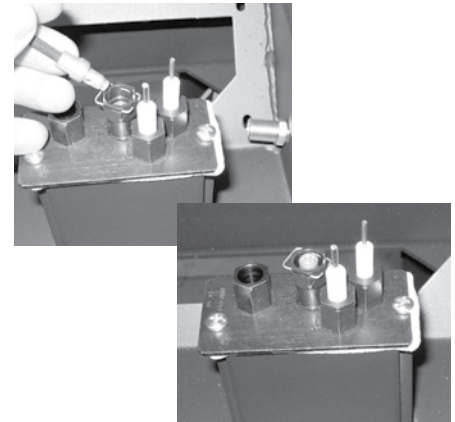
Pilot Hood

Pilot Orifice

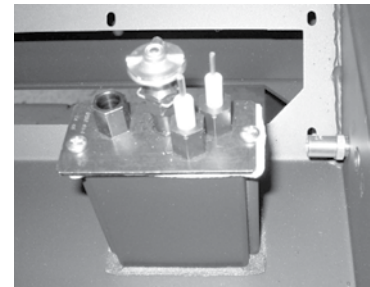
7. Remove the pilot orifice with the Allen key.



8. Put in the new LPG orifice with the Allen key. Then put back the pilot hood.

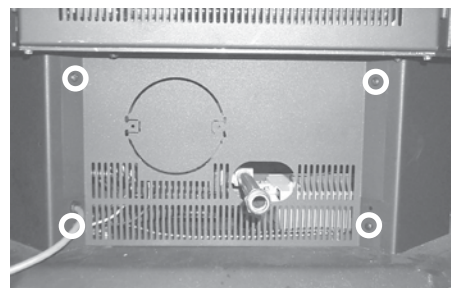


9. Place the pilot hood back on.



10. Adjust the burner aeration setting to **fully open** and install the burner.

11. Remove the pedestal back cover by removing the 4 Phillips screws.

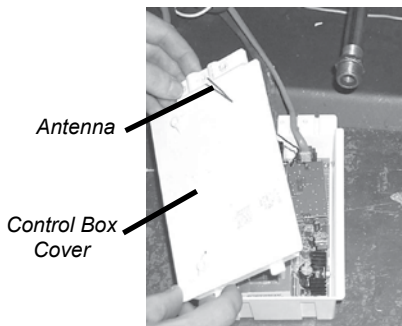


# installation

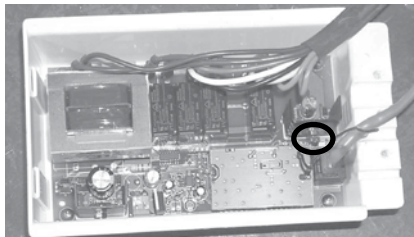
12. Stick the conversion label "This unit has been converted to LPG" over top of the serial number decal.
13. Replace the yellow "NG" label with the red "LPG" label.
14. Carefully pull out the control box.

Note: The control box is held in place by velcro.

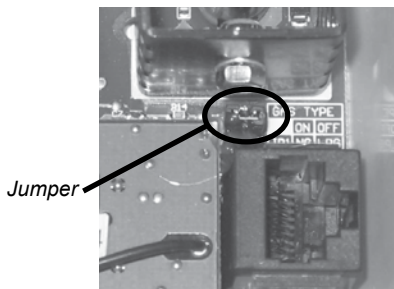
15. Remove the control box cover by undoing the 3 screws. Maneuver through antenna.



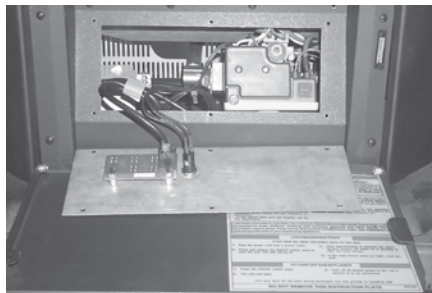
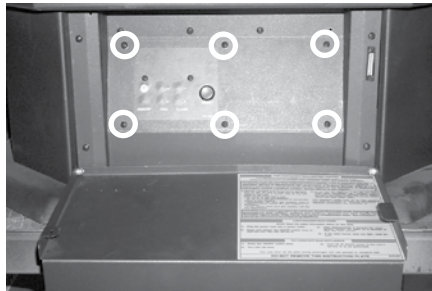
- 16) Remove the jumper using a plier.



Jumper Location



17. Stick the conversion label "This unit has been converted to LPG" on the control box cover.
18. Reverse steps 15, 14 & 11.
19. Open the bottom door and remove the front panel by undoing the 6 screws.



20. Turn on the gas supply and plug in the power cord.

21. **Adjusting the Outlet Pressure**  
All the adjustments must be carried out in the following order:

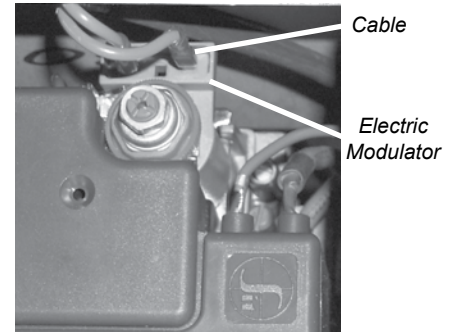
Remove the modulator plastic cap (A) using needle nose pliers.

**Maximum pressure:** Turn the unit ON to its highest input rating. Screw in the nut (B) to increase the outlet pressure and screw it out to decrease it. Use a 10 mm wrench.

**NOTE:** The outlet pressure must be set to maximum 2.55 kPa.

**Minimum pressure:** Remove one of the cables connected to the electric modulator. Keeping the nut (B) blocked, screw in the screw (C) to increase the pressure and screw it out to decrease it. Use a screwdriver 6 x 1 blade.

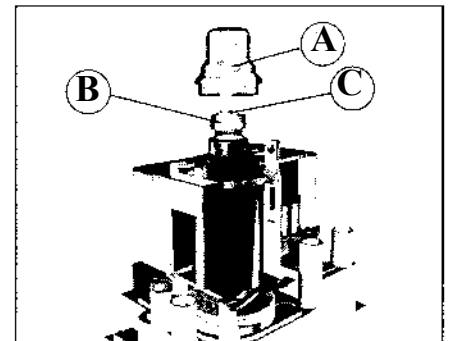
**NOTE:** The outlet pressure must be set to minimum 0.74 kPa.



After carrying out all adjustments, block the setting screws with paint, taking care not to obstruct the breather orifice of the pressure.

Put back the modulator plastic cap.

**WARNING:** To ensure the correct operation of the modulator it is necessary that the plastic cap (A) is returned to its original location.



22. At the end of all setting and adjustment operations, check electrical insulation and gas leaks.

23. Reverse step 19.

24. Check operation of fan and flame control.

25. Check for proper flame appearance and glow on logs.

**Installer Notice:**  
These instructions must be left with the appliance.

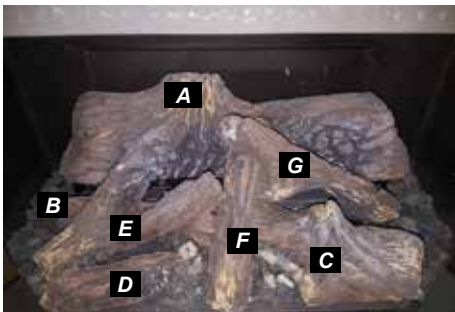
## LOG SET INSTALLATION

Read the instructions below carefully and refer to the diagrams. If logs are broken do not use the unit until they are replaced. Broken logs can interfere with the pilot operation.

The gas log kit contains the following:

- A Rear Log
- B Middle Left Log
- C Front Right Log
- D Front Left Log
- E Middle Left 'Y' Log
- F Center Upright Log
- G Middle Right Log
- Lava Rock,

**Note: Install Optional Brick Panels prior to installing logs.**



Log ID

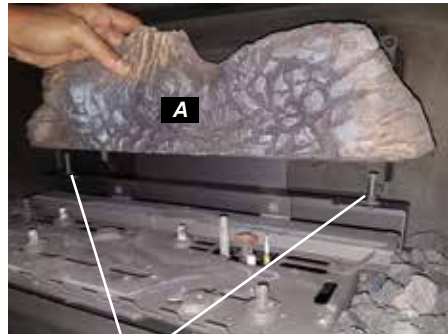
1. Carefully remove the logs from the box and unwrap them. The logs are fragile, handle with care - **do not force into position.**
2. Place the Lava rock on either side of the burner - **DO NOT** place lava rock anywhere on the actual burner.



Lava

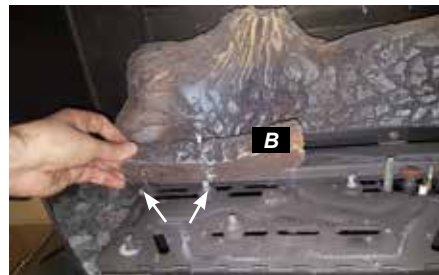
Lava

3. Install Log A onto the 2 pins on the rear log bracket -- in locations shown below.

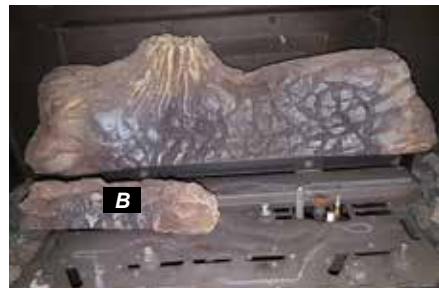


Pins on Rear Log Support

4. Install Log B onto the 2 pins on the burner in locations shown below.



Log B Pins



Log B in position

5. Install Log C onto the 2 pins on the burner in locations shown below.



Log C Pins



# installation



*Log C in position*

6. Install Log D onto the 2 pins on the burner in locations shown below.



*Log D install*

7. Install Log E (Y shaped Log) onto the pin on Log B--set the other end of Log E on the burner.



*Log E install*

8. Install Log F across Log C as shown, Log F will rest in a flat spot on Log C.

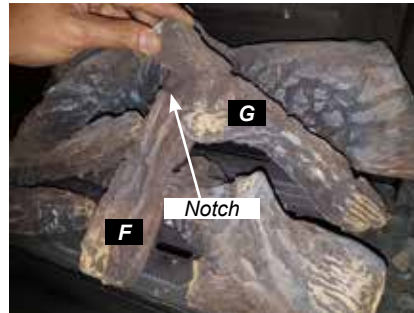


*Log F install*



*Log F in position*

9. Install Log G--top end sits in the notch at the top of Log F and the bottom end of Log G rests against the bracket on the burner as shown.



*Log G install*



*Log G onto bracket*

10. Test fire to ensure proper light off (make sure flame flows smoothly from one end of burner to the other. If there is any flame hesitation, check that area for any blockage of the burner port.



*Completed Install*

## FRONT DOOR INSTALLATION (packaged separately)

1. Open the two side panels.
2. Slide the door onto the two hinge pins making sure the two pieces are flush together. See Diagram 1.

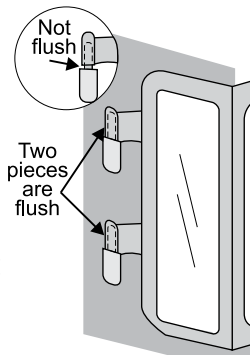


Diagram 1

3. Close the door. The latch plate must be centered around the alignment pin. See Diagram 2. If the latch plate interferes with the corner of the stove you may want to angle the plate slightly so the door closes easier.

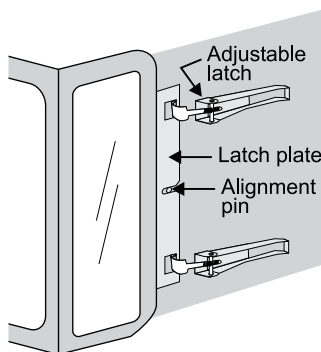


Diagram 2

4. The latches should already be at the proper setting. If they are too hard or too easy to close, you may want to adjust them by loosening the latch catch. See Diagram 3.

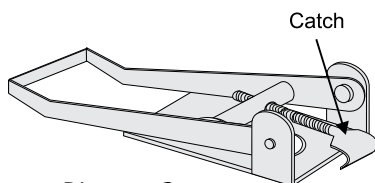


Diagram 3

5. Remove the blue plastic protective coating from the glass.
6. Test the seal around the door by placing a piece of paper between the unit and the door, close the door and try to pull the paper out. If it slips out easily, then the door is not properly sealed. Tighten or loosen the latch. See Diagram 3.

**Note:** *The door latch may require adjustment as the door gasket material compresses after a few fires and after glass replacement. Turn the latch catch inward or outward to loosen or tighten.*

## OPTIONAL REMOTE CONTROL

Use the Regency Remote Control Kit (Part # 910-086) approved for this unit. Use of other systems may void your warranty.

The remote control kit comes with a hand held transmitter and a wall mounting plate.

1. Choose a convenient location to mount the hand held transmitter, protection from extreme heat is very important.

The remote can also be used as a wall thermostat.



## FINAL CHECK

Before leaving this unit with the customer, the installer must ensure that the appliance is firing correctly. This includes:

1. Locking the appliance to ensure the correct firing rate (rate noted on label) at 15 minutes.
2. If required, adjusting the primary air to ensure that the flame does not carbon. First allow the unit to burn for 15 min. to stabilize.
3. Check for proper draft.

## CAUTION

**Any alteration to the product that causes sooting or carboning that results in damage to the exterior facia is not the responsibility of the manufacturer.**

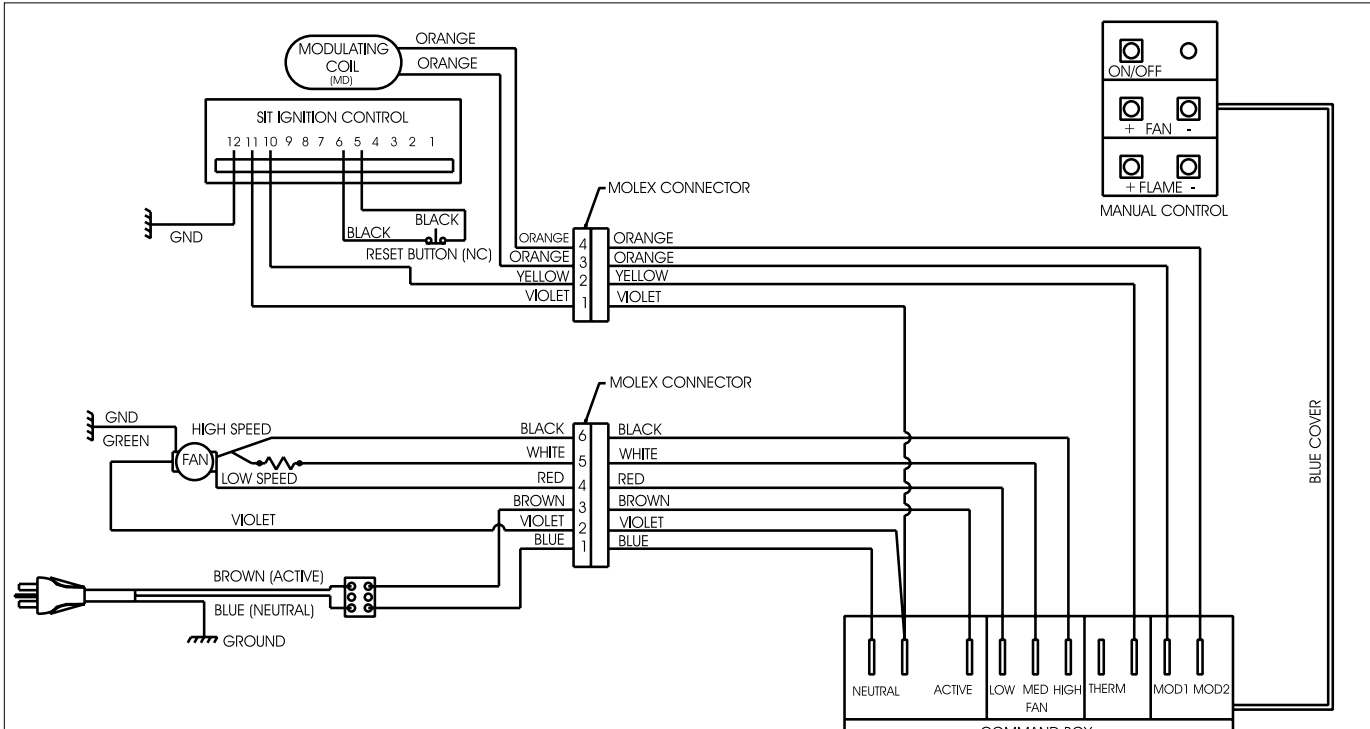
# installation

## WIRING

This heater does not require a 240V A.C. supply for the gas control to operate. A 240V A.C. power supply is needed for the fan/blower operation.

**Caution: Ensure that the wires do not touch any hot surfaces and are away from sharp edges.**

**CAUTION: Label all wires prior to disconnection when servicing controls. Wiring errors can cause improper and dangerous operation.**



**WARNING: Electrical Grounding Instructions**  
This appliance is equipped with a three pronged (grounding) plug for your protection against shock hazard and should be plugged directly into a properly grounded three-prong receptacle. Do not cut or remove the grounding prong from this plug.

## OPERATING INSTRUCTIONS

Before operating this appliance, proceed through the following check list.

- 1) Read and understand these Instructions before operating this appliance.
- 2) Check to see that all wiring is correct and enclosed to prevent possible shock.
- 3) Check to ensure there are no gas leaks.
- 4) Never operate the appliance with the glass removed or with the door open.
- 5) Verify that all flueing and the cap is unobstructed.
- 6) Verify log placement.

## LIGHTING INSTRUCTIONS

- 1) Plug the power cord into a power outlet.
- 2) Press and release the ON/OFF button once to start the unit.
- 3) After approximately 3 seconds the spark ignition system will spark for 40 seconds to light the main burner.
- 4) If the main burner does not light, reset the unit.

## RESETTING THE UNIT

- 1) Open the pedestal door on the unit.
- 2) Press and release the reset button, located on the unit's control panel once.
- 3) Wait for approximately 3 seconds and the pilot sparks can be heard and seen. It would take 2 to 3 seconds for the flame to be lit.

**NOTE:** A period of 30 seconds must pass before another reset is attempted.

## SHUTDOWN INSTRUCTIONS

- 1) Press the ON/OFF button once.
- 2) Turn off all electric power to the appliance if service is to be performed.

## FIRST FIRE

The **FIRST FIRE** in your heater is part of the paint curing process. To ensure that the paint is properly cured, it is recommended that you burn your fireplace for at least four (4) hours the first time you use it with the fan on.

When first operated, the unit will release an odour caused by the curing of the paint and the burning off of any oils remaining from manufacturing. Smoke detectors in the house may go off at this time. Open a few windows to ventilate the room for a couple of hours. The glass may require cleaning.

**NOTE:** The main burner will always start on "HIGH" and resume it's last setting after 20 seconds of operation.

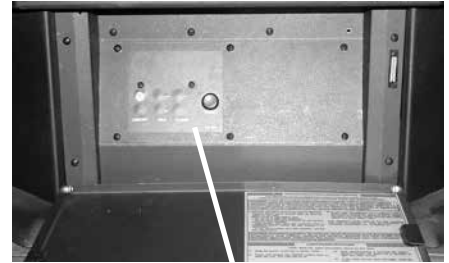
**NOTE:** When the glass is cold and the appliance is lit, it may cause condensation and fog the glass. This condensation is normal and will disappear in a few minutes as the glass heats up.

**DO NOT ATTEMPT TO CLEAN THE GLASS WHILE IT IS STILL *HOT!***

**DO NOT BURN THE APPLIANCE WITHOUT THE GLASS FRONT IN PLACE.**

## FAN OPERATION

Set the fan speed on the control panel located in behind the pedestal door to adjust fan to the desired speed.

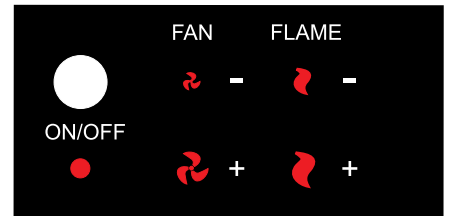


Control Panel

Pressing and releasing the plus (+) FAN button will change the fan speed as follows:

OFF -> LOW -> MEDIUM -> HIGH -> OFF, etc.

Pressing and releasing the minus (-) FAN button will be the reverse of the above.



## ADJUSTING FLAME HEIGHT

There are six flame settings that can be adjusted by pressing and releasing the plus (+) and minus (-) FLAME button.

The FLAME setting button is located on the control panel in behind the pedestal door.



# operating instructions

## SUMMARY OF CONTROLS

### On/Off Button

If the unit is switched off, pressing and releasing this button once will switch the unit on. The unit will resume its last settings.

If the unit is switched on, pressing and releasing this button once will switch the unit off.

### Flame:

**Increase** - If the unit is switched on, pressing and releasing the flame plus (+) button once will increase the flame height to the next available high setting.

**Decrease** - If the unit is switched on, pressing and releasing the flame minus (-) button once will decrease the flame height to the next available low setting.

### Fan:

**Increase** - If the unit is switched on, pressing and releasing the fan plus (+) button once will increase the fan speed to the next available high setting.

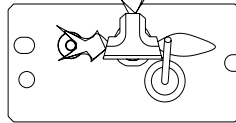
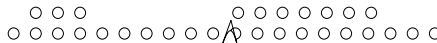
**Decrease** - If the unit is switched on, pressing and releasing the fan minus (-) button once will decrease the fan speed to the next available low setting.

## PILOT ADJUSTMENT

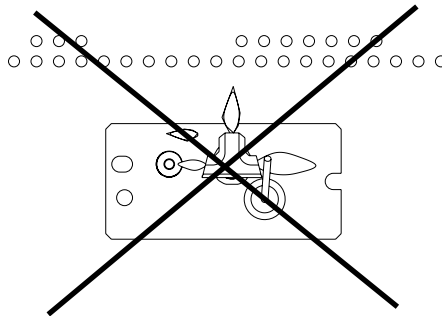
Periodically check the pilot flames. The correct flame pattern has 3 strong blue flames.

One flowing around the Flame Sensor, the second flowing across the burner (it does not have to be touching the burner) and the third flame flowing tangent to the spark ignitor.

**NOTE:** If you have an incorrect flame pattern, contact your Regency dealer for further instructions.



*An incorrect flame pattern will have small, probably yellow flames, not coming into proper contact with the rear of the burner or thermopile.*



## NORMAL OPERATING SOUNDS OF GAS APPLIANCES

It is possible that you will hear some sounds from your gas appliance. This is perfectly normal due to the fact that there are various gauges and types of steel used within your appliance. Listed below are some examples. All are **normal operating sounds** and should not be considered as defects in your appliance.

### Fan:

Regency gas appliances use high tech fans to push heated air farther into the room. It is not unusual for the fan to make a "whirring" sound when ON. This sound will increase or decrease in volume depending on the speed setting of your fan speed control.

### Burner Tray:

The burner tray is positioned directly under the burner tube(s) and logs and is made of a different gauge material from the rest of the firebox and body. Therefore, the varying thicknesses of steel will expand and contract at slightly different rates which can cause "ticking" and "cracking" sounds. You should also be aware that as there are temperature changes within the unit these sounds will likely re-occur. Again, this is normal for steel fireboxes.

### Gas Control Valve:

As the gas control valve turns ON and OFF, a dull clicking sound may be audible, this is normal operation of a gas regulator or valve.

### Unit Body/Firebox:

Different types and thicknesses of steel will expand and contract at different rates resulting in some "cracking" and "ticking" sounds will be heard throughout the cycling process.

## COPY OF THE LIGHTING PLATE INSTRUCTIONS

### FOR YOUR SAFETY READ BEFORE LIGHTING

This appliance must be installed in accordance with local codes, if any; if not, follow the current CAN1-B149/ANSI Z 223.1, AS/NZS 5601

**WARNING:** If you do not follow these instructions exactly, a fire or explosion may result causing property damage, personal injury or loss of life. Improper installation, adjustment, alteration, service or maintenance can cause injury or property damage. Refer to the owner's information manual provided with this appliance. For assistance or additional information consult a qualified installer, service agency or gas supplier.

A) BEFORE LIGHTING smell all around the appliance area for gas. Be sure to smell next to the floor because some gas is heavier than air and will settle on the floor.

#### WHAT TO DO IF YOU SMELL GAS

- Do not try to light any appliance
- Do not touch any electric switch, do not use any phone in your building
- Immediately call your gas supplier from a neighbors phone. Follow the gas supplier's instructions.
- If you cannot reach your gas supplier, call the fire department.

B) Do not use this appliance if any part has been under water. Immediately call a qualified service technician to inspect the appliance and to replace any part of the control system and any gas control which has been under water.

This appliance needs fresh air for safe operation and must be installed so there are provisions for adequate combustion and ventilation air.

**CAUTION:** Hot while in operation. Do not touch. Severe Burns may result. Due to high surface temperatures keep children, clothing and furniture, gasoline and other liquids having flammable vapors away. Keep burner and control compartment clean. See installation and operating instructions accompanying appliance.

### LIGHTING INSTRUCTIONS

STOP! Read the safety information above on this label.

- 1) Plug the power cord into a power outlet.
- 2) Press and release the ON/OFF button once to start the unit.
- 3) After approximately 3 seconds the spark ignition system will spark for 25 seconds to light the main burner.
- 4) If the main burner does not light, check the gas and reset the unit.

### TO TURN OFF GAS APPLIANCE

- 1) Press the ON/OFF button once.
- 2) Turn off all electric power to the unit if service is to be performed.

**DO NOT REMOVE THIS INSTRUCTION PLATE**

918-332a

**WARNING:**  
DO NOT SPRAY AEROSOLS IN THE VICINITY OF THIS APPLIANCE WHILE IN OPERATION.

# maintenance

## MAINTENANCE INSTRUCTIONS

Any maintenance required accessing the glass door of the unit must be performed by an authorised service person.

1. Always unplug the power cord before cleaning. For relighting, refer to lighting instructions. Keep the burner and control compartment clean by brushing and vacuuming at least once a year. When cleaning the logs, use a soft clean brush as the logs are fragile and easily damaged.
2. Clean glass (never when unit is hot), appliance, louvres, and door with a damp cloth. Never use an abrasive cleaner. The gold louvres (and optional gold door) may be scratched if abrasives are used to clean them.

The heater is finished in a heat resistant paint and should only be refinished with heat resistant paint (not with wall paint). Regency uses StoveBright Paint - Metallic Black #6309.

3. Make a periodic check of burner for proper position and condition. Visually check the flame of the burner periodically, making sure the flames are steady; not lifting or floating. If there is a problem, call an authorised service person.
4. The appliance and flueing system must be inspected before use, and at least annually, by an authorised field service person, to ensure that the flow of combustion and ventilation air is not obstructed.

During the annual service call, the burners should be removed from the burner tray and cleaned. Replace the embers - do not block the pilot or burner ports.

5. Keep the area near the appliance clear and free from combustible materials, gasoline and other flammable vapours and liquids.

**WARNING: CHILDREN AND ADULTS SHOULD BE ALERTED TO THE HAZARDS OF HIGH SURFACE TEMPERATURE AND SHOULD STAY AWAY TO AVOID BURNS OR CLOTHING IGNITION. YOUNG CHILDREN SHOULD BE CAREFULLY SUPERVISED WHEN THEY ARE IN THE SAME ROOM AS THE APPLIANCE.**

**CAUTION: ANY SAFETY SCREEN OR GUARD REMOVED FOR SERVICING AN APPLIANCE MUST BE REPLACED PRIOR TO OPERATING THE APPLIANCE.**

**CLOTHING OR OTHER FLAMMABLE MATERIAL SHOULD NOT BE PLACED ON OR NEAR THE APPLIANCE.**

**DO NOT USE THIS APPLIANCE IF ANY PART HAS BEEN UNDER WATER. IMMEDIATELY CALL AN AUTHORIZED SERVICE TECHNICIAN TO INSPECT THE APPLIANCE AND TO REPLACE ANY PART OF CONTROL SYSTEM AND ANY GAS CONTROL WHICH HAS BEEN UNDER WATER.**

6. Verify proper operation after servicing.

## LOG REPLACEMENT

The unit should never be used with broken logs. Turn off the gas valve and allow the unit to cool before opening door to carefully remove the logs. The pilot light generates enough heat to burn someone. If for any reason a log should need replacement, you must use the proper replacement log. The position of these logs must be as shown in the diagram under Log Installation.

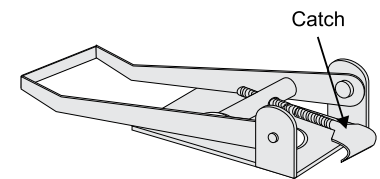
**Note: Improper positioning of logs may create carbon build-up and will alter the unit's performance which is not covered under warranty.**

## DOOR GASKET

If the door gasket requires replacement use 22mm diameter oval door gasket.

## LATCH ADJUSTMENT

The door latch may require adjustment as the door gasket material compresses after a few fires and after glass replacement. Turn the adjustable catch to tighten or loosen the latch.



## Handling of Ceramic fiber log sets and brick panels

When installing or removing ceramic fiber log sets or ceramic brick panels (if installed) from an appliance we recommend that you use latex gloves and a P1 respiratory filter be used.

We also recommend if when servicing the appliance that any items which may be replaced, not be broken up and are sealed within a heavy duty polythene bag and labeled as RCF waste.

A vacuum with a HEPA filter should be used when cleaning up remaining dust or broken bits.

Protective clothing is not required when handling these articles.

RCF waste is classed as stable, nonhazardous waste which may be disposed of at any licensed landfill site.

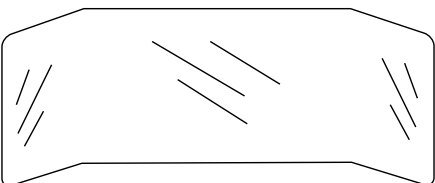
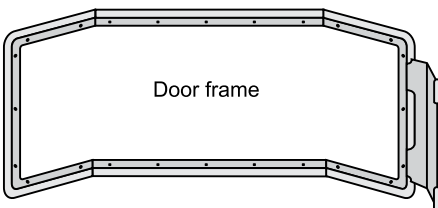
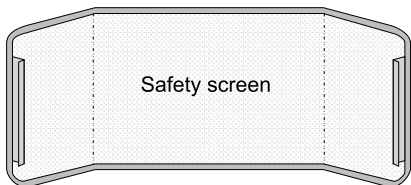
## GLASS REPLACEMENT

Your Regency heater is supplied with high temperature, 5mm Neoceram silica coated ceramic glass that will withstand the highest heat that your unit will produce. In the event that you break your glass, purchase your replacement from an authorised Regency dealer only, and follow the step-by-step instructions for replacement.

### Removing Glass:

**Note:** Wearing gloves will protect your hands while handling glass.

1. Remove the door from the unit and place on a soft surface to prevent scratching.
2. Pull out the door gasket.
3. Remove the 24 nuts holding the glass retainers in place. Do not remove the nuts underneath the retainers.
4. Remove the door catch plate.
5. Remove glass retainers on sides first (3 each side) then remove two center retainers.
6. Remove glass from door assembly. When removing glass, leave white insulation in place.
7. Reverse steps 6 - 2.



## FAN MAINTENANCE

If your fan requires maintenance or replacement, access to the fan is through the plate on the rear wall of the firebox. **NOTE: the unit MUST NOT be operated without the fan access panel securely in place and correctly sealed.**

If the fan is damaged or needs repair, it shall be repaired by the manufacturer or its service agent or similarly qualified person to avoid a hazard.

**IMPORTANT:** These fans collect a lot of dust from within your home. Ensure you maintain these fan motors on a regular basis by vacuuming out the fan squirrel cages, around the motor, and around the grills on the back of the stove.

**IMPORTANT**  
*Disconnect power supply before servicing*

**WARNING:**  
**Electrical Grounding Instructions**

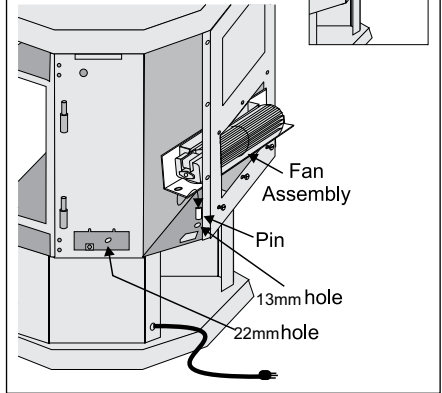
This appliance is equipped with a three pronged (grounding) plug for your protection against shock hazard and should be plugged directly into a properly grounded three-prong receptacle. Do not cut or remove the grounding prong from this plug.

### FAN REMOVAL

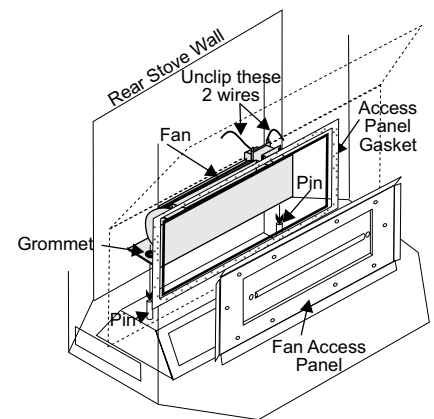
1. Unplug or disconnect power source to stove.
2. Remove all logs and the rear log support, then remove the 10 screws holding the access panel in place.
3. Unclip the black and white wires from the fan motor.
4. Open both side doors and gently pull the flex pipe away from the center, otherwise the fan can catch on the flex pipe during installation and tear the pipe. Do not tear or damage the flex pipe.

### Alternate Fan Access:

If the rear access cover is accessible, it can be removed to provide access to the fan.



5. Lift fan off of the 2 pins, tip back and pull through firebox opening. Disconnect the green ground wire from the right side of the fan as soon as you can reach it.



### FAN REPLACEMENT

Reverse the above steps (1 - 5). If necessary install a new gasket before replacing the fan access panel. Make sure the fan wires and the ground wire are reattached.

*Hint for pushing fan down onto pins - rub a bit of dish soap on the grommet so it will slide more easily onto the pin. Check to make sure the fan is seated properly on the pins - try to move the fan back and forth, there should be no noise, if there is check that the grommets haven't come loose.*

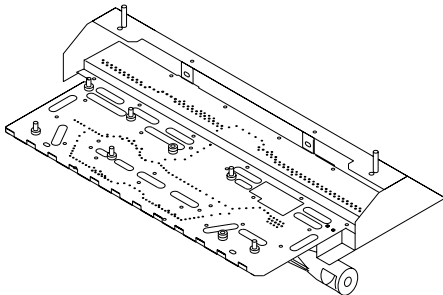
# maintenance

## REMOVING VALVE TRAY

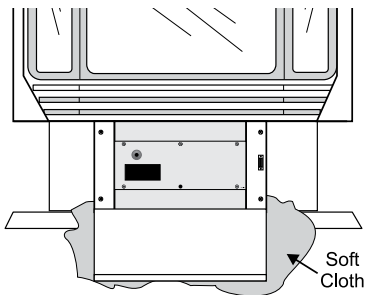
If your valve requires maintenance or replacement, follow these instructions:

**NOTE: Always shut off the gas and disconnect the power supply before removing the valve.**

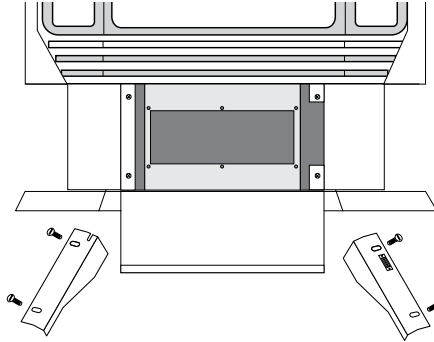
1. Open the front door and carefully remove the logs and lava rock.
2. Remove the burner by removing the two 6mm hex head screws. See diagram below.



3. Open the front pedestal door and unhook chain. You may want to put a soft cloth on the base of the unit so that when the pedestal door is open it doesn't scratch the paint. See diagram below.



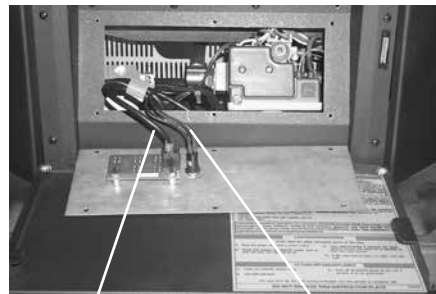
4. Remove the two outside frame pieces by removing two screws per side. See diagram below.



5. Remove the front plate by undoing the 6 screws.



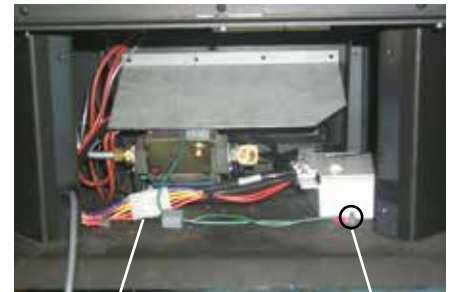
6. Disconnect the manual switch cable and reset cables.



Manual Switch Cable

Reset Cables

7. Disconnect the gas pipe line at the valve.
8. Remove the pedestal back cover by removing the 4 Philips screws.
9. Disconnect the 5 pin molex connector.
10. Disconnect the ground wires.



5 Pin Molex Connector

Ground Wire

11. Remove the 20 x 5 mm hex head screws holding the burner tray assembly in place.
12. Carefully lift the burner tray assembly out.
13. To replace the burner tray assembly, reverse these instructions.



**TROUBLESHOOTING GUIDE**

<b>ALL WORK MUST BE CARRIED OUT BY A LICENSED/QUALIFIED TECHNICIAN</b>		
It is critical that this appliance is earthed and that Active and Neutral are not crossed		
*Pilot light models only		
<b>SYMPTOM</b>	<b>CAUSE</b>	<b>SOLUTION</b>
Unit does not operate (No ignition & No Fan)	No power supply (240V) to unit or control box	Check 240V power supply
	Faulty ECS box	Replace ECS module & Cat 5 Cable
Unit will not operate using remote control, but OK using manual control	Remote control not tuned into unit.	Tune remote control into unit
	Remote is not tuning to the unit	Replace Remote control and or ECS module
*Unit goes through ignition cycle, but pilot light does not ignite  <b><u>Direct Spark units</u></b> Igniter sparks but main burner doesn't light	No gas to unit or fitting line has not been purged	Check gas supply or purge fitting line
	*Blocked pilot	*Clean or replace pilot assembly
	Faulty ignition pack	Replace Ignition pack
	Ignitor earthing or sparking to incorrect location	Ensure sparker is in good condition, replace if necessary
*Pilot light ignites but main burner does not ignite, igniter continues to spark for 10 seconds then goes to lock out  <b><u>Direct Spark units</u></b> Main burner ignites but igniter continues to spark for 10 seconds then goes to lock out	Faulty sensor lead/ circuit	Check flame sensor is connected and not damaged
	Crossed polarity, Faulty extension lead or power board	Check polarity at power point connection into heater and ECS control box
	Faulty Ignition Module	Replace Ignition module
*Pilot light ignites but main burner does not ignite, igniter stop sparking and pilot flame stays on	No Gas to main burner	Check burner injector for blockage
	Pressure switch not activating	Ensure Fan is running
		Clear any blockage in hose from pressure switch to fan.
		Clean the fan
	No power out of ignition module	Replace Pressure switch
	No power out of ignition module	Replace Ignition Module

## parts list

Unit ignites, main burner becomes unstable, flame lifts off burner, unit goes into lockout	Incorrect burner pressure settings	Adjust burner pressure to correct setting (See Data plate)
	Flue blocked, Incorrect flue installation or flue joints not sealed	Clear blocked flue, install flue correctly and seal all flue joints
	Burner aeration not correctly adjusted	Adjust burner aeration (See Unit Manual)
	Log set incorrectly installed	Install log set as per Owner's Manual
	Flue Restrictor not set correctly	Adjust Flue restrictor (See unit manual)
Fan operates but no ignition sequence (no spark)	Unit ignition pack gone into lockout	Reset ignition pack by depressing black reset button while unit controls are in the "ON" position (fan running)
Carbon build up on glass/media/logs	Burner cracked	Replace burner
	Log set / media incorrectly installed	Install log set / media as per owner's manual
	Aeration setting too far closed	Set aeration as per owner's manual
	Aeration blocked	Clean blockage at aeration shutter
	Flue restrictor not set correctly	Adjust flue restrictor as per owner's manual
	Partial blockage in flue	Clear blocked flue



## GAS MAINTENANCE - RECOMMENDED ANNUAL ROUTINE

In order for your Regency appliance to continue to provide comfort to your home periodic maintenance must be performed to ensure it is operating at peak efficiency. The items in the list should be checked by a licensed gas service technician during the annual service check. Your unit may require more frequent maintenance checks if you notice any changes in how it operates. Operational changes to look for can include, but are not limited to, extended start up time, increased fan noise, residue/carbon build up, white build up on the glass/firebox, increased operating noise etc. Should any of these or other conditions arise, discontinue use and schedule a service check with your local licensed gas technician. The list below shows items your licensed service technician will need to check and service at least annually.

### Clean

- Glass
- Interior bricks / panels
- Burner ports & burner air shutter
- Fan blades
- Log set
- Pilot orifices
- Pilot hood (change as needed)
- Flame sensor (electronic ignition models)
- Flame electrode
- Burner orifice
- Thermocouple (millivolt models)
- Thermopile (millivolt models)

### Inspect

- Pilot assembly
- Burner
- Pressure relief gaskets/doors
- Flue connector gasket if present
- Door seal
- Firebox
- Venting
- Batteries (remote handheld, remote receiver, DC sparker, change as needed)
- Burner media (change as needed)
- Air shutter setting
- Wiring

### Check

- Voltage on thermocouple/thermopile (millivolt models)
- Ohms reading on flame sense (electronic ignition models)
- Inlet/outlet fuel pressures as per rating plate
- Voltage/ohms readings on gas valve
- Ohms reading to on/off switch circuit (Millivolt models)

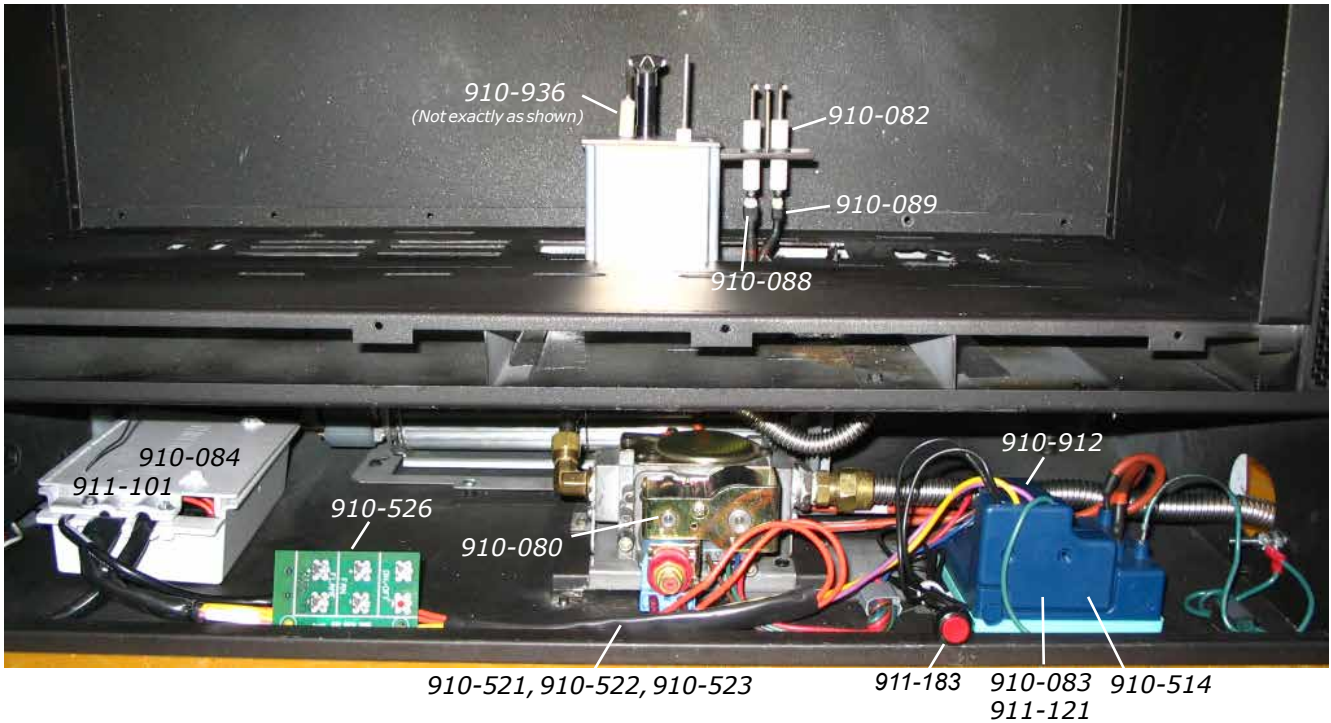
### Gas Leak Tests

- Check main gas line connection to valve
- Check shut off valve connections
- Check connection at gas valve outlet
- Check connection at main burner orifice
- Check pilot fuel line at valve and at pilot assembly

# parts list

## ELECTRONIC COMPONENTS PARTS LIST

**Note:** Depending on the model, the diagram below may not be exactly as shown - for reference purposes only.



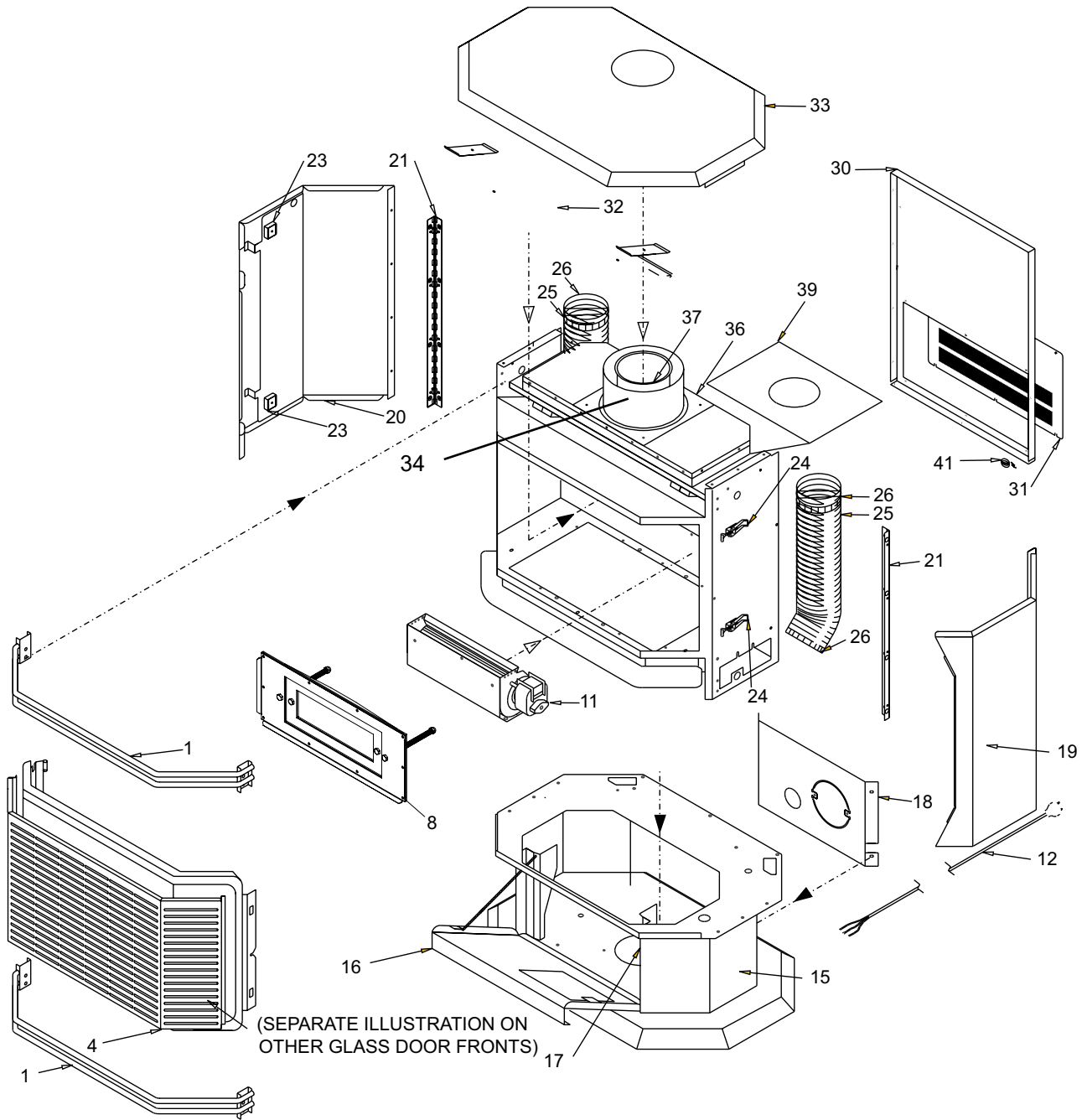
	FG38	FG39	PG33	PG36 / PG36D	PG121/ PG131	GFI300L	IG34	GF900L/C	GF1500L
<b>910-909</b> Fan Resistor	✓	✓	✓	✓	✓	✓	✓	✓	✓
<b>910-936</b> Intermittent Pilot	N/A	N/A	✓	✓	✓	N/A	✓	✓	N/A
<b>911-146</b> Intermittent Pilot	N/A	N/A	N/A	N/A	N/A	✓	N/A	N/A	✓
<b>911-258</b> Intermittent Pilot	N/A	✓	N/A	N/A	N/A	N/A	N/A	N/A	N/A
<b>910-082</b> Direct Spark Ignitor	✓	N/A	N/A	N/A	N/A	N/A	N/A	N/A	N/A
<b>910-089</b> Flame Cable	✓	N/A	N/A	N/A	N/A	N/A	N/A	N/A	N/A
<b>910-088</b> Spark Cable	✓	N/A	N/A	N/A	N/A	N/A	N/A	N/A	N/A
<b>910-084</b> Control Box	✓	✓	✓	✓	✓	N/A	✓	N/A	N/A
<b>911-101</b> Control Box	N/A	N/A	N/A	N/A	N/A	✓	N/A	✓	N/A
<b>910-527</b> Manual Control Switch	✓	✓	N/A	N/A	N/A	N/A	✓	N/A	N/A
<b>910-080</b> Valve	✓	✓	✓	✓	✓	✓	✓	✓	✓
<b>910-521</b> Control Box Cable (1)				(1)					
<b>910-522</b> Control Box Cable (2)	*N/A	(2)	(1)			N/A	(2)	N/A	N/A
<b>910-523</b> Control Box Cable (3)					(3)				
<b>910-525</b> Control Box Cable (4)									
<b>910-912</b> Ignition Module to Valve Cable	N/A	N/A	✓	✓	✓	✓	✓	✓	✓
<b>911-183</b> Reset Switch	N/A	✓	✓	✓	✓	✓	✓	✓	✓
<b>910-083</b> Ignition Module (1)	(1)								
<b>911-121</b> Ignition Module (2)	(2)	(2)	(2)	(2)	(2)	(2)	(2)	(2)	(2)
<b>910-514</b> Jumper Wire	N/A	✓	✓	✓	✓	✓			
<b>910-935</b> Manual Control Switch	N/A	N/A	✓	✓	✓	N/A	✓	N/A	N/A

**\*\*Note:** The Control Box Cable wires for the FG38 come separately: 910-502, 910-505, 910-506, 910-507, 910-509

**MAIN ASSEMBLY**

1)	560-921	Louver Assy - Brushed Nickel (set)
	560-922	Louver Assy - Black (set)
4)	750-532	Door Screen (Australia only)
8)	732-513	Relief Door Assembly (with gasket)
10)	730-022	Mounting Plate Gasket
	910-169/P	Fan Motor (240 Volt)
11)	560-519/P	Fan Assembly (240 Volt)
12)	910-714	Power Cord (240 Volt)
15)	560-525	Pedestal Assembly
16)	730-039	Pedestal Door
17)	904-257	Pedestal Door Magnet
18)	750-084	Pedestal Back
20)	730-531	Side Panel Door Assy
21)	560-031	Side Panel Door Hinge
23)	904-258	Side Panel Door Magnet
24)	948-255	Door Latch
25)	*	Flex Pipe (76 mm ID)
26)	*	Clamp for Flex Pipe
30)	730-019	Rear Panel
31)	630-021F	Fan Access Panel
32)	730-028	Firebox Baffle
33)	630-520	False Top Assembly
34)	923R	Starter Collar
36)	936-194	Gasket - Starter Collar/ Air Passage
37)	936-197	Gasket - Flue Collar/ Air Passage
39)	*	Gasket - Air Passage
41)	904-185	Cable Tie - High Temperature
42)	904-186	Cable Tie Mounting Button
	910-033	Heat Resistant Sleeve
	918-298	Decal Top Rear Control Panel
	360-968	Conversion Kit to LPG
	948-223	Logo Plate
	919-864	Manual
*Not available as a replacement part.		

# parts list



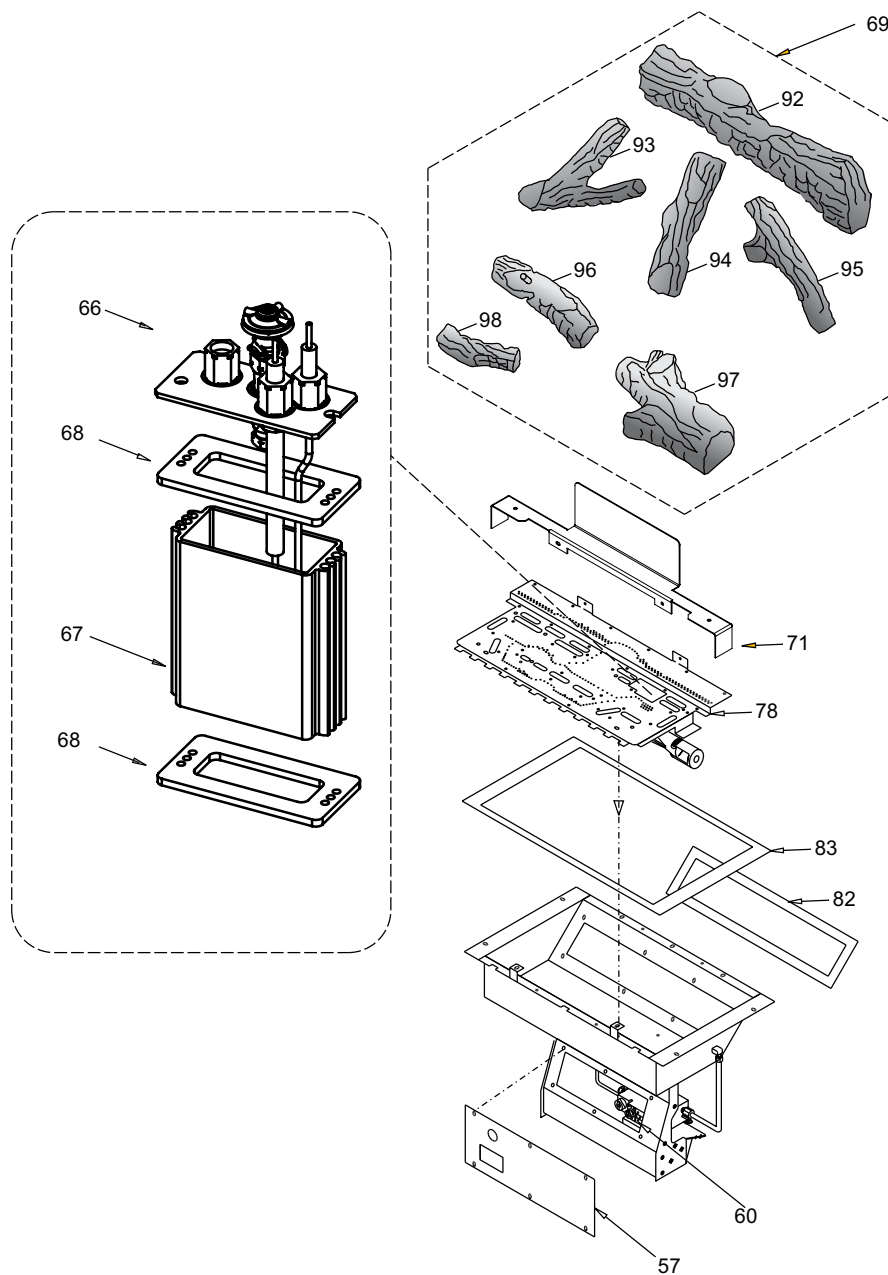
## BURNER & LOG ASSEMBLY

Part #	Description
57)	* Switch Plate
	737-574/P Valve Assembly - NG
	737-576/P Valve Assembly - LPG
60)	910-080 Valve Sigma 845 NG
	910-081 Valve Sigma 845 LP
	904-688 #32 Burner Orifice - N.G.
	936-170 Orifice Gasket
66)	911-258 Pilot Assy - S.I.T. - 3 Flame NG
	910-947 Pilot Assy - S.I.T. - 3 Flame LPG
67)	732-002 Pilot Holder
68)	W840470 Pilot Assembly Gasket
71)	732-514 Log Stand
	904-641 Burner Orifice #50 - LP
78)	737-550 Burner Assembly
82)	630-009 Gasket-Burner Tray/Air Passage
83)	630-008 Gasket - Burner Tray/Firebox
69)	732-930 Log Set
92)	Rear Log
93)	Left Top Log
94)	Center Log
95)	Middle Right Log
96)	Middle Left Log
97)	Front Right Log
98)	Front Left Log

\*Not available as a replacement part.

### Not Shown

910-037	Novasit Pilot Orifice - LP
910-036	Novasit Pilot Orifice - NG
910-432	Pilot Tube
910-096	3 Way Pilot Hood
911-137	Pilot Clip
911-121	Module SIT 230V (DV) 0.579.204
911-002	Flame Electrode
911-037	Flame Sense
910-084	Control Box ECS
910-088	Wire ECS Module Spark (Red)
911-183	Switch Push Button Reset ECS
910-522	Wire Harness ECS
910-506	Wire - Terminal Block To Fan (Red)
910-507	Wire - Terminal Block To Fan (Black)
910-508	Wire - Terminal Block To Fan (Violet)
910-692	Wire - Fan To Power Cord Ground
910-006	Terminal Block
910-909	Resistor Fan Ecs Sqhg-20W

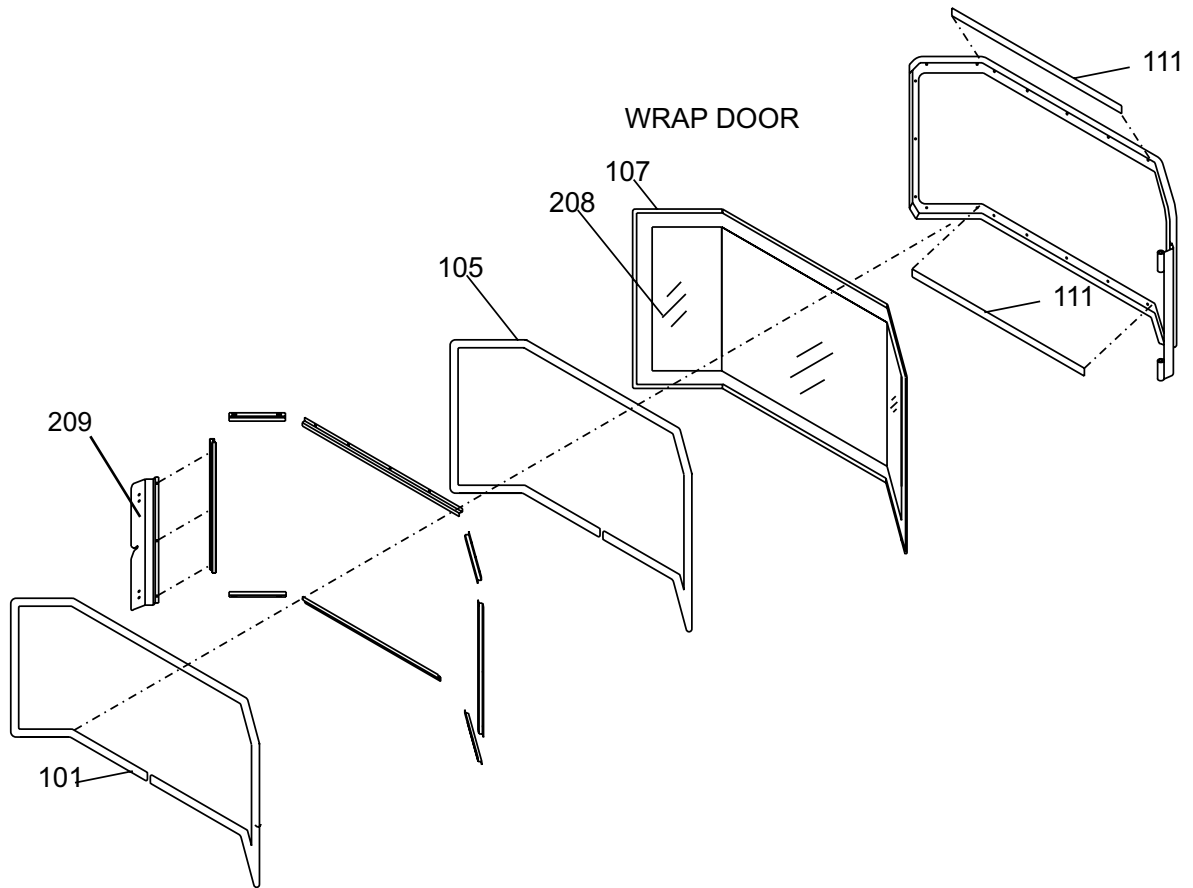


# parts list

## DOOR ASSEMBLY

	<b>Part #</b>	<b>Description</b>
	732-943	Black Wrap Door - Complete
101)	732-570	Door Gasket Kit
105)	*	Ceramic Paper
107)	936-243	Glass Gasket
111)	*	Door Frame Fibre Paper
208)	940-325/P	Wrap Glass
209)	732-020	Door Mounting Bracket
N/S	948-255	Ojop Latch (ea)

\*Not available as a replacement part.







# warranty

## Limited Lifetime Warranty

FPI Fireplace Products International Ltd. ("the manufacturer") through its wholly owned subsidiary, Fireplace Products Australia Pty Ltd (for Australia and New Zealand customers) and sold under the Regency® brand of fireplace products (collectively referred to herein as "FPI"), extends this Limited Lifetime Warranty to the original purchaser of this appliance provided the product remains in the original place of installation. The items covered by this limited warranty and the period of such coverage is set forth in the table below.

Some conditions apply (see below).

The policy is not transferable, amendable or negotiable under any circumstances.

Indoor Gas Products Warranty Coverage Parts and Labor	Part				Supplier Warranty	Labor Coverage (Years)
	Lifetime	5 years	2 years	1 year		
Firebox and Heat Exchanger	✓					3
Steel Burner Tube	✓					3
Glass Thermal breakage only	✓					3
All Surrounds/Inlays Finishes		✓				3
Brick Panels/Log sets/Ceramic Burners		✓				3
All Castings		✓				3
Valve assembly and all gas control components (Pilot assembly, flame sensors, Spark Electrode, Pilot Tubing, Orifices, Thermocouple, Thermopile)			✓			2
All Other Electrical components with the exception of WIFI Dongle (Ignition Control Boards, Wiring, Switches, Fans, Fan Control Module, Battery Pack, Remote Control Systems)			✓			1
Enamel Panels			✓			1
Venting/Venting Components			✓			1
All Stainless steel surrounds				✓		1
All Firebox Media (Crystals, Fire beads, Volcanic, Ceramic & Spa Stones)				✓		1
All hardware				✓		1
Mesh/Glass Safety Barriers				✓		1
Accent Light Bulbs				✓		1
Glass (Crazing)				✓		1
WIFI Dongle (Applicable Models)				✓		1

After the original warranty coverage for any of the parts above have expired, any repair and/or replacement parts purchased by the consumer from FPI or through an accredited distributor or dealer will carry a ninety (90) day warranty (valid only with an original copy of the tax invoice). No labor coverage is included with any repair and/or replacement part.

Replacement parts are limited to one per warranty term.

### Conditions:

Warranty protects against defect in manufacture or FPI factory assembled components only, unless herein specified otherwise. This warranty will only apply to those products which are acquired at the time of this warranty being effective. FPI will not be liable for any damage or loss that falls outside the scope of the warranty.

Any part(s) found to be defective during the warranty period as outlined above will be repaired or replaced at FPI's option through an accredited distributor, dealer or pre-approved and assigned agent provided that the defective part is returned to the distributor, dealer or agent for inspection if requested by FPI. Alternatively, FPI may at its own discretion fully discharge all of its obligations under the warranty by refunding the verified purchase price of the product to the original purchaser. The purchase price must be confirmed by an original copy of the tax invoice.

**The authorised selling dealer, or an alternative authorised FPI dealer if pre-approved by FPI, is responsible for all in-field diagnosis and service work related to all warranty claims. This warranty does not cover dealer travel costs for diagnostic or service work. Dealers may charge homeowner for travel and additional time. Check with your selling dealer in advance for any costs to you when arranging a warranty call. FPI is not responsible for results or costs of workmanship of unauthorised FPI dealers or agents in the negligence of their service work. Additional service fees may apply if you are seeking warranty service from a dealer other than the dealer from whom you originally purchased the product.**

At all times FPI reserves the right to inspect reported complaints on location in the field claimed to be defective and determine whether the warranty will apply prior to processing or authorising of any claim. Failure to allow this upon request will void the warranty.

All warranty claims must be submitted by the dealer servicing the claim, including an original copy of the tax invoice (proof of purchase by you). All claims must be complete and provide full details as requested by FPI to receive consideration for evaluation, including proof of maintenance records. Incomplete claims may be rejected. FPI has absolute discretion to assess and determine any warranty claim and may accept or reject a claim as it considers appropriate. Any part or parts of the unit found to be defective will be repaired or replaced at FPI's option, through an accredited distributor or service agent provided that the defective part be returned to the distributor or agent, **Transportation Prepaid**, if requested. **It is the general practice of FPI to charge for larger, higher priced replacement parts and issue credit once the replaced component has been returned to FPI and evaluated for manufacturer defect.**

**If a consumer has a unit installed outside an accredited distributor, dealer or pre-approved service agent's service area, or the closest approved service agent is situated more than thirty (30) kilometres from the installation, FPI is not obliged to arrange warranty repairs or shipping/transportation costs. In these cases, the consumer must arrange warranty service with its selling dealer, and shipping, travel and/or additional labor charges will apply.**

Unit must be installed according to all manufacturers' instructions as per the manual.

All Local and National required codes must be met.

The installer is responsible to ensure the unit is operating as designed at the time of installation.

The original purchaser is responsible for annual maintenance of the unit, as outlined in the owner's manual. As outlined below, the warranty may be voided due to problems caused by lack of maintenance. Annual maintenance records should be retained.

Repair/replacement parts purchased by the consumer from FPI after the original coverage has expired on the unit will carry a 90 day warranty, valid with a receipt only. Any item shown to be defective will be repaired or replaced at our discretion. No labor coverage is included with these parts.

#### **Exclusions:**

This Limited Lifetime Warranty does not extend to paint, rust or corrosion of any kind due to a lack of maintenance or improper venting, combustion air provision, corrosive chemicals (i.e. chlorine, salt, air, etc.), door or glass gasket.

Malfunction, damage or performance based issues as a result of environmental conditions, location, chemical damages, downdrafts, installation error, installation by an unqualified installer, incorrect chimney components (including but not limited to cap size or type), operator error, abuse, misuse, use of improper fuels, accidents, lack of regular maintenance and upkeep, acts of God, weather related problems from hurricanes, tornados,

# warranty

earthquakes, floods, lightning strikes/bolts or acts of terrorism or war, which result in malfunction of the appliance are not covered under the terms of this Limited Lifetime Warranty.

FPI has no obligation to enhance or modify any unit once manufactured (i.e. as products evolve, field modifications or upgrades will not be performed on existing appliances).

Any unit showing signs of neglect or misuse will not be covered under the terms of this warranty policy and may void this warranty. This includes units with rusted or corroded fireboxes which have not been reported as rusted or corroded within three (3) months of installation/purchase. Any alteration to the unit which causes sooting or carboning that results in damage to the exterior fascia or over firing that can cause component or firebox/heat exchanger failure will not be covered by this warranty.

Units which show evidence of being operated while damaged, or with problems known to the purchaser and causing further damages will void this warranty.

Units where the serial no. has been altered, deleted, removed or made illegible will void this warranty.

Minor movement, expansion and contraction of the steel is normal and is not covered under the terms of this warranty.

Freight damages for products or parts are not covered under the terms of the warranty.

Porcelain/Enamel: Absolute perfection is neither guaranteed nor commercially possible. Any chips must be reported and inspected by the authorised selling dealer within three (3) days of installation. Any damage of this type not reported after this time period will be subject to rejection and any related warranty will not apply.

Special Finishes: Expect some changes in color as the product "ages" with constant heating and cooling. The manufacturer warranty does not cover tarnishing, changing colors and/or marks (i.e. finger prints, etc.) after the purchase of the product. Damage from the use of abrasive cleaners is not covered by warranty.

Products made or provided by other manufacturers and used in conjunction with the FPI appliance without prior authorisation from FPI may void this warranty.

**INCORRECT INSTALLATION OR GAS PRESSURE SETTINGS ARE NOT COVERED BY WARRANTY. A SERVICE OR CALLOUT FEE WILL BE CHARGED IN THESE CIRCUMSTANCES.**

## **Limitations of Liability:**

### 1. Exclusion of implied terms

The customer may have the benefit of consumer guarantees under the Australian Consumer Law. To the maximum extent permitted by law, all terms, conditions or warranties that would be implied into this Warranty or in connection with the supply of any goods or services by the supplier under law or statute or custom or international conventions are excluded.

### 2. Limitation of liability

(a) To the maximum extent permitted by law and subject to clauses 1 and 3, the supplier's total liability arising out of or in connection with its performance or its obligations pursuant to this Warranty, or arising out of or in connection with the supply of specific goods or services (including pursuant to or for breach of this Warranty, under statute, in equity or for tort, including negligent acts or omissions) is limited as follows: (i) the supplier shall have no liability to the customer for any Consequential Loss; (ii) without limiting the effect of clause 2(a)(i), the supplier's total aggregate liability for Loss, however arising, shall not exceed the GST exclusive aggregate price paid by the customer to the supplier for the specific goods or services that gave rise to the Loss in question.

(b) The limitations and exclusions in this sub-clause do not apply to the extent that any Loss is directly attributable to: (i) the personal injury or death caused by the supplier's default, breach of this Warranty or negligence; or (ii) fraud by the supplier.

(c) Each party must take reasonable steps to mitigate any Loss it suffers or incurs.

### 3. Limitation of liability under Australian Consumer Law Guarantees

(a) To the extent that goods supplied by the supplier are not goods of a kind ordinarily acquired for personal, domestic or household use and the customer is deemed to be a consumer for the purposes of section 64A of the Australian Consumer Law, the customer agrees that the supplier's liability for a failure to comply with a consumer guarantee that the customer may have a benefit under the Australian Consumer Law (other than a guarantee under sections 51 (title), 52 (undisturbed possession) and 53 (undisclosed securities)), is limited to, at the option of the supplier, one or more of the following: (i) replacement of the goods or the supply of equivalent goods; (ii) the repair of the goods; (iii) the payment of the cost of replacing the goods or of acquiring equivalent goods; or (iv) equivalent goods; or (v) the payment of the cost of having the goods repaired.

(b) To the extent that services supplied by the supplier are services other than services of a kind ordinarily acquired for personal, domestic or household use or consumption, the supplier's liability for failure to comply with a consumer guarantee that the customer may have the benefit of is limited to, at the option of the supplier: (i) the supply of the services again; or (ii) the payment of the cost of having the services supplied again.

### 4. Subject to Change

This Limited Warranty is given at the time of sale and purchase of the relevant fireplace product. The terms of this Limited Warranty may be amended from time to time by FPI in accordance with changes to business practices, consumer laws or other legal requirements. The rights and protections granted under the Limited Warranty are those in force in relation to a fireplace product at the time and in the place of sale of that product, and only those terms will be applicable in respect of that product.

### 5. Severability

Any term of this Limited Warranty that is invalid or unenforceable in any jurisdiction is to be read down for the purposes of that jurisdiction, if possible, so as to be valid and enforceable, and is otherwise capable of being severed to the extent of the invalidity or unenforceability, without affecting the remaining provisions of this Limited Warranty or affecting the validity or enforceability of that provision in any other jurisdiction.

### 6. Definitions

For purposes of clauses 1, 2 and 3:

(a) Consequential Loss means loss of expected savings, loss of use, loss of opportunity, loss of profit, loss of revenue, increased financing costs, loss arising from delay, or any consequential, special or indirect loss or damage, whether or not the possibility or potential extent of the loss or damage was known or foreseeable, and whether arising from a claim under indemnity, contract, tort (including negligence), statute or otherwise.

(b) Loss means any expense, cost or damage of any kind and includes Consequential Loss and a fine or penalty imposed by a statutory or other authority.

# warranty

## **How to Obtain Warranty Service:**

Customers should contact the authorised selling dealer to obtain warranty service. In the event the authorised selling dealer is unable to provide warranty service, please contact FPI by mail at the address listed below. Please include your name, address, purchase date, selling dealer, serial #, type of unit, a brief description of the problem, email and telephone contact information, and a copy of your original tax invoice. A representative will contact you to make arrangements for an inspection and/or warranty service. (See below for Western Australia and/or New Zealand)

Please note Fireplace Products Australia Pty Ltd does not provide installation services.

### **Fireplace Products Australia Pty Ltd**

99 Colemans Road  
Dandenong, VIC  
Australia, 3175  
Phone: +61 3 9799 7277  
Fax: +61 3 9799 7822

To obtain warranty service in Western Australia and/or New Zealand, please contact one of our authorised distributors in those areas:

#### Western Australia:

**Air Group Australia**  
28-30 Division St.  
Welshpool, WA  
Australia, 6106  
Phone: (08) 9350 2200  
Fax: (08) 9353 4225

#### New Zealand:

**Aber Holdings Ltd**  
PO Box 10095  
Te Rapa, Hamilton  
New Zealand, 3241  
Freephone: 0800 161 161

## **Product Registration and Customer Support:**

Thank you for choosing a Regency Fireplace. Regency strives to be a world leader in the design, manufacture, and marketing of hearth products. To provide the best support for your product, we request that you complete a product registration form at <http://www.regency-fire.com.au/Customer-Care/Warranty-Registration.aspx> within ninety (90) days of purchase.



**Product Registration and Customer Support:**

Thank you for choosing a Regency Fireplace. Regency strives to be a world leader in the design, manufacture, and marketing of hearth products. To provide the best support for your product, we request that you complete a product registration form found on our Web Site under Customer Care within ninety (90) days of purchase.

For purchases made in **CANADA or the UNITED STATES:**

<http://www.regency-fire.com/Customer-Care/Warranty-Registration.aspx>

For purchases made in **AUSTRALIA:**

<http://www.regency-fire.com.au/Customer-Care/Warranty-Registration.aspx>

You may also complete the warranty registration form below to register your Regency Fireplace Product and mail and/or fax it back to us, and we will register the warranty for you. It is important you provide us with all the information below in order for us to serve you better.

**Warranty Registration Form (or Register online immediately at the above Web Site):**

<b>Warranty Details</b>	
Serial Number (required):	
Purchase Date (required) (mm/dd/yyyy):	
<b>Product Details</b>	
Product Model (required):	
<b>Dealer Details</b>	
Dealer Name (required):	
Dealer Address:	
Dealer Phone #:	
Installer:	
Date Installed (mm/dd/yyyy):	
<b>Your Contact Details (required)</b>	
Name:	
Address:	
Phone:	
Email:	

For purchases made in **CANADA:**

**FPI Fireplace Products International Ltd.**  
6988 Venture St.  
Delta, British Columbia  
Canada, V4G 1H4

Phone: 604-946-5155  
Fax: 1-866-393-2806

For purchases made in the **UNITED STATES:**

**Fireplace Products US, Inc.**  
PO Box 2189 PMB 125  
Blaine, WA  
United States, 98231

Phone: 604-946-5155  
Fax: 1-866-393-2806

For purchases made in **AUSTRALIA:**

**Fireplace Products Australia Pty Ltd**  
99 Colemans Road  
Dandenong South, Vic. 3175  
Australia

Phone: +61 3 9799 7277  
Fax: +61 3 9799 7822

For fireplace care and tips and answers to most common questions please visit our Customer Care section on our Web Site. Please feel free to contact your selling dealer if you have any questions about your Regency product.







**IMPORTANT:** A certificate of compliance or equivalent by an authorised installer must be obtained on commissioning of appliance to obtain warranty.

***Installer: Please complete the following information***

**Dealer Name & Address:** \_\_\_\_\_  
\_\_\_\_\_

**Installer:** \_\_\_\_\_

**Phone #:** \_\_\_\_\_

**Date Installed:** \_\_\_\_\_

**Serial #:** \_\_\_\_\_