

Pre-Installation Checklist

PRE-INSTALLATION CHECKLIST

FOR PLATINUM AND TUNGSTEN SMART-HEAT GAS RADIANT HEATERS PLEASE
 PHOTOCOPY, COMPLETE, & SEND THIS CHECKLIST BY:
 FAX TO (858) 346-1388 or
 BY MAIL TO Bromic Heating, 18 Technology Dr, #143 Irvine, CA 92618
 or SCAN AND SEND BY EMAIL TO info@bromic.com

Business Name:

Date: / / (dd / mm / yyyy)

Site Address:

Suburb:

State: Zip:

Contact Name:

Position:

Ph: () Fax: ()

Cell:

How did you hear about our heaters?

- Magazine Name:
- Internet Website:
- Word of Mouth
- Newspaper Name:
- Directory Name:
- Salesperson
- Purchased from us before
- Seen on location Where:
- Other (please specify):

Gas Type (please tick): NG LPG
 (i.e. does the gas come to the premises via
 bottles [LPG] or pipes [NG])

Application (please tick):

Commercial Domestic

Description (eg. hotel):

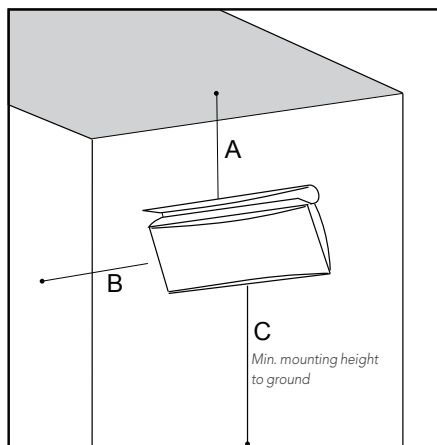
Area dimensions (feet):

Length: Width:

Ceiling Height:

CLEARANCES:

Clearance requirements for Platinum and Tungsten Smart-Heat heaters are as follows:
 (Note: adequate clearance must be directly above the heater)



A) WALL MOUNT NO DEFLECTOR:

Minimum distance to combustible materials:

	A	B	C
Platinum and Tungsten Smart-Heat			
300	3.6' / 110cm	3.6' / 110cm	8' / 244cm*
500	3.6' / 110cm	3.6' / 110cm	8' / 244cm*

*Please refer to local authorities for any additional mounting guidelines

B) WALL MOUNT WITH DEFLECTOR:

Minimum distance to combustible materials:

	A	B	C
Platinum and Tungsten Smart-Heat			
300	1.15' / 35cm	3.6' / 110cm	8' / 244cm*
500	1.15' / 35cm	3.6' / 110cm	8' / 244cm*

*Please refer to local authorities for any additional mounting guidelines

C) CEILING MOUNT NO DEFLECTOR:

Minimum distance to combustible materials:

	A	B	C
Platinum and Tungsten Smart-Heat			
300	3.6' / 110cm	3.6' / 110cm	8' / 244cm*
500	3.6' / 110cm	3.6' / 110cm	8' / 244cm*

*Please refer to local authorities for any additional mounting guidelines

D) CEILING MOUNT WITH DEFLECTOR:

Minimum distance to combustible materials:

	A	B	C
Platinum and Tungsten Smart-Heat			
300	1.15' / 35cm	3.6' / 110cm	8' / 244cm*
500	1.15' / 35cm	3.6' / 110cm	8' / 244cm*

*Please refer to local authorities for any additional mounting guidelines

Is the heater adequately covered? Y N
 (i.e. shielded from rain)

Is a protective cover required? Y N
 (cover may be required for environmental
 protection OR because of lower ceiling height)

Have site plans & digital photos been
 provided? Y N
 (NOTE: in order to more accurately review your heating
 requirements and provide a valid recommendation,
 a dimensioned plan and elevation views are required.
 Please also provide digital photos of the area).
 If site plans not available, draw a sketch of the area
 showing all elevation views and open areas. Please
 include an appropriate scale.

Do you require a:
 Ceiling Mount OR Wall Mount

IF CEILING MOUNT:

Pole length required:

Ceiling material type:

IF WALL MOUNT:

Wall construction (wall material type)

Are there any wall obstructions? Y N
 (eg. speakers, TV, camera, lighting etc...)
 Please describe briefly:

Will the bracket be mounted directly
 on the wall? Y N
 (any additional mountings [eg. angle mount
 bracket / pole] are the responsibility of the
 installer)

Is adequate power available? Y N
 (each heater requires 110V power and draws no more
 than 1A).

Does the site have existing plumbing
 for LPG or Natural Gas? Y N

Distributors Name:

Person performing Survey:

Position:

Date: / / (dd / mm / yyyy)