

BROMIC SMART-HEAT™ WIRELESS DIMMER CONTROLLER



7-CHANNEL WIRELESS REMOTE*

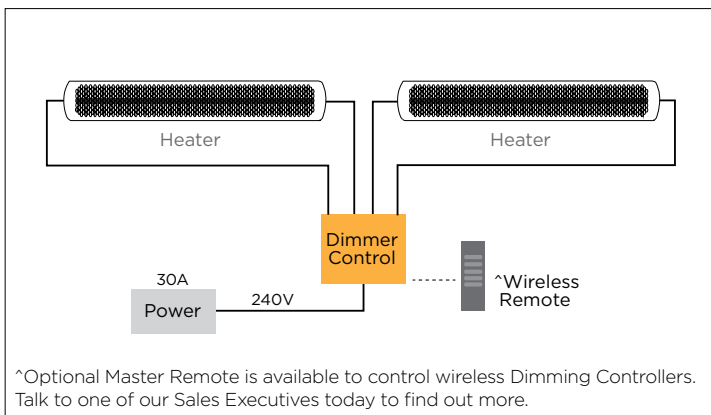
Adding maximum control and convenience to your Smart-Heat™ Electric Range

Bromic Heating's new Wireless Dimmer Control giving customers unprecedented control over heating output.

This unit allows the power output of an electric heater to be adjusted for perfect comfort, with the ability to adjust multiple units in unison with a single remote.

Each Smart-Heat™ Wireless Dimmer Control can manage up to 6000W of heating and can be used in 120VAC, 208VAC and 240VAC applications. Enclosed within an IP54-rated protective casing, our 7-channel transmitter allows users to dim or brighten their heaters at the touch of a button, offering customizable comfort and exceptional reliability.

*All Bromic Heating remotes are able to control an infinite number of heaters within a 30m range.



SPECIFICATIONS

Part Number	2620276-1
Power Supply	110/277VAC 50/60Hz (29A. max)
Max Output Power	6800W @ 277VAC (25A.) 6800W @ 240VAC (28.5A.) 3080W @ 110VAC (28A.)
Fuse Protection	32A (FWC high speed, 10 X 38mm)
Reception Frequency	916MHZ
Operating Temperature Range	-20/+30°C
Maximum Transmitters Memorized	42 (84 heaters per controller)
Dimensions	195 x 200 x 75mm
Protection Class	IP54

DIMMER CONTROL DIMENSIONS

