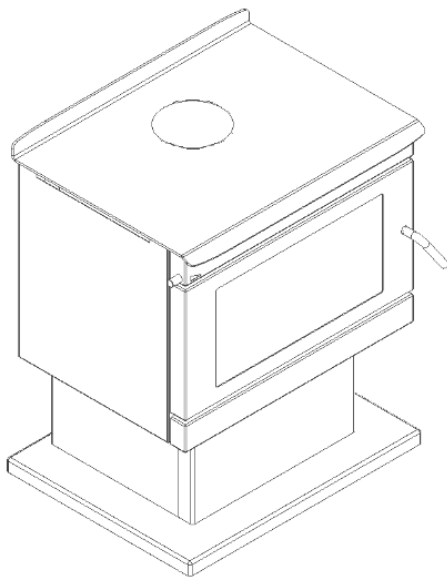




Installation Instructions

Contemporary and Stylish



B500

B800

Keep instructions for future reference



Glen Dimplex Australia proudly supports the activities of Landcare Australia through its membership of the AHHA

CONTENTS

1.	INSTALLATION	1
1.1.	IMPORTANT INFORMATION	1
1.2.	INSTALLING THE HEATER	2
1.2.1.	Positioning the Heater	2
1.2.2.	Standard Installation	2
1.2.3.	Corner Installation	2
1.2.4.	Floor Protector	2
1.3.	REDUCING CLEARANCES TO COMBUSTIBLES	3
1.4.	INSTALLING THE FLUE	3
1.5.	INSTALLING THE BAFFLE PLATE	4
1.6.	INSTALLING THE FIRE BRICKS	5
1.7.	TECHNICAL DRAWINGS	6

1. INSTALLATION

THE INSTALLATION INSTRUCTIONS IN THIS MANUAL APPLY TO THE BLAZE B500 AND B800 FREE-STANDING WOOD HEATER MODELS.

THEY HAVE BEEN TESTED FOR EMISSIONS AND EFFICIENCY AND COMPLY ACCORDING TO AS/NZS 4012 & AS/NZS 4013.

1.1. IMPORTANT INFORMATION

The unit must be installed according to all manufacturers' instructions included in this manual. The manufacturer is not liable for installations that do not meet the requirements outlined in this manual.

Most building regulatory authorities in Australia require any wood heater installation to comply with Installation Standard AS/NZS 2918. Different states and councils may have varying regulations. Check local building regulations before installing the appliance.

All Blaze wood heaters have been tested to ensure they will meet the appropriate safety standard requirements if the instructions in this manual are followed. As the safety and emissions performance can be affected by altering the appliance, no modifications are allowed without written permission from the manufacturer.

WE RECOMMEND THAT THE INSTALLATION OF YOUR BLAZE WOOD HEATER BE CARRIED OUT BY A QUALIFIED INSTALLER.

WARNING: THE APPLIANCE AND FLUE SYSTEM SHALL BE INSTALLED IN ACCORDANCE WITH AS/NZS 2918 AND THE APPROPRIATE REQUIREMENTS OF THE RELEVANT BUILDING CODE OR CODES.

WARNING: APPLIANCES INSTALLED IN ACCORDANCE WITH THIS STANDARD SHALL COMPLY WITH THE REQUIREMENTS OF AS/NZS 4012 & AS/NZS 4013 WHERE REQUIRED BY THE REGULATORY AUTHORITY, I.E. THE APPLIANCE SHALL BE IDENTIFIABLE BY A COMPLIANCE PLATE WITH THE MARKING 'TESTED TO AS/NZS 4012 & AS/NZS 4013'.

ANY MODIFICATION OF THE APPLIANCE THAT HAS NOT BEEN APPROVED IN WRITING BY THE TESTING AUTHORITY IS CONSIDERED TO BE IN BREACH OF THE APPROVAL GRANTED FOR COMPLIANCE WITH AS/NZS 4012 & AS/NZS 4013.

CAUTION: MIXING OF APPLIANCE OR FLUE-SYSTEM COMPONENTS FROM DIFFERENT SOURCES OR MODIFYING THE DIMENSIONAL SPECIFICATION OF COMPONENTS MAY RESULT IN HAZARDOUS CONDITIONS. WHERE SUCH ACTION IS CONSIDERED, THE MANUFACTURER SHOULD BE CONSULTED IN THE FIRST INSTANCE.

CAUTION: CRACKED AND BROKEN COMPONENTS, EG. GLASS PANELS OR CERAMIC TILES, MAY RENDER THE INSTALLATION UNSAFE.

1.2. INSTALLING THE HEATER

1.2.1. Positioning the Heater

Review the necessary clearances specified in this section before considering where to position the heater.

Also check the practicability of installing the flue system in relation to any obstructing roof beams before positioning the heater.

The clearance distances can only be reduced if the surrounding walls are made of non-combustible material such as stone, brick or concrete. If non-combustible material, distance can be reduced to 100 mm. Alternatively, shielding of the wall(s) can reduce clearances (refer to next section for more detail).

Clearances to combustible surfaces vary depending on the type of flue shielding used, and if optional side shields have been added to the heater.

1.2.2. Standard Installation

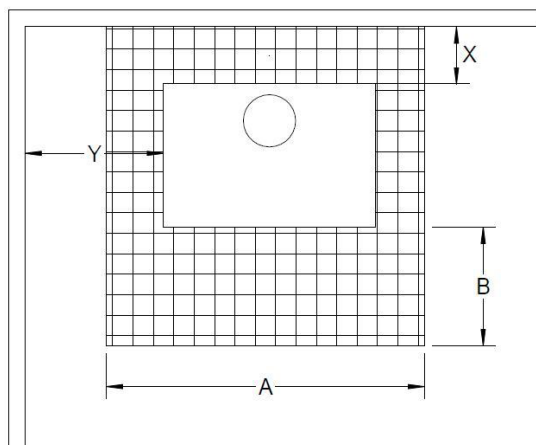
Dimensions given in the table and image below represent the minimum clearance (in millimetres) to combustible materials.

A = Minimum floor protector width

B = Minimum floor protector depth from door opening

X = Rear clearance

Y = Side clearance



Model	Dimensions (mm)			
	X	Y	A	B
B500	125	350	900	300
B800	125	300	1000	400

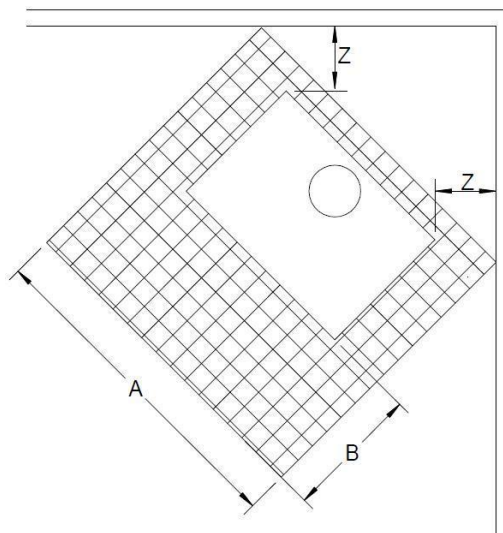
1.2.3. Corner Installation

Dimensions given in the table and image below represent the minimum clearance (in millimetres) to combustible materials.

A = Minimum floor protector width

B = Minimum floor protector depth from door opening

Z = Corner clearance



Model	Dimensions (mm)		
	Z	A	B
B500	100	900	300
B800	100	1000	400

1.2.4. Floor Protector

Unless the heater will be standing on a heat resistant floor such as concrete slab with slate or tiles, it will be necessary to provide a floor protector.

The minimum required dimensions for the floor protector are shown in the previous sections. It may be desirable, for example aesthetic reasons, for the floor protector to be larger than these minimum dimensions.

The floor protector shall be constructed of non-combustible material no less than 15mm thick and with a thermal conductivity not greater than 0.33W/m °K, eg. compressed cement sheet.

The floor protector may be laid directly on the combustible floor.

For more details and variations on floor protectors refer to AS/NZS 2918 Clause 2.2, 3.3.1, & 3.3.2.

1.3. REDUCING CLEARANCES TO COMBUSTIBLES

If it is necessary to install a heater closer to a combustible surface than the stated requirements in this installation manual, it must be done in accordance with Australian Standard AS/NZS 2918:2018 Section 3, Tables 3.1 & 3.2.

Shield Construction: The shield shall be constructed from a heat resistant material. The shield must be fixed to the surface that requires protection and NOT the heater.

The Standard allows three options to reduce stated clearances.

Single layer of continuous material with Minimum Air Gap of 12mm—Clearance Factor = 0.40

Single layer of continuous material with Minimum Air Gap of 25mm—Clearance Factor = 0.30

Two spaced layers of continuous material with Minimum Air Gaps of 12mm + 12mm—Clearance Factor = 0.20

The shielding must be open at the top and bottom (vented) to allow a continuous air flow. It is this air flow that keeps the surface requiring protection cool. Fixings should not impede this air flow.

The shielding needs to go far enough along and up the wall so that the original side and rear required clearances are not compromised. As the flue is now closer to the wall the shielding should also protect the wall from the flue pipe.

Example:

The side wall clearance for a heater is 425mm.

A 12mm gapped shield on the wall with a factor of 0.40.

Calculate: $425\text{mm} \times 0.40 = 170\text{mm}$. This is the new side wall minimum clearance.

The shielding needs to be large enough so that none of the original clearances of 425mm are compromised.

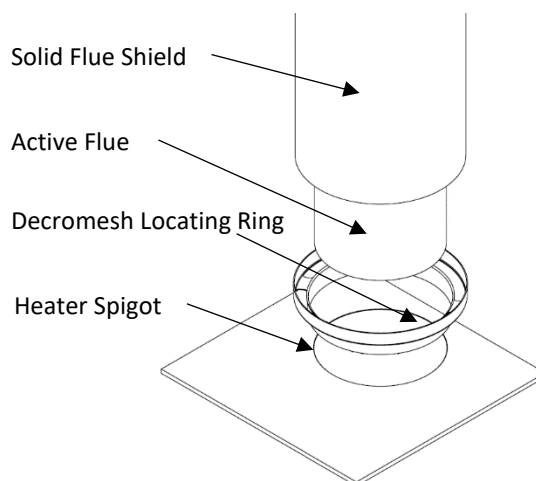
1.4. INSTALLING THE FLUE

The flue system used when installing the heater MUST comply with the current installation standard AS/NZS 2918.

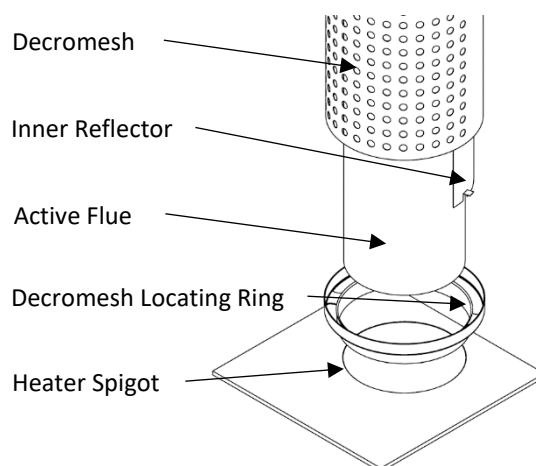
Full instructions on the installation of the flue will be supplied with the flue kit. These MUST be adhered to, including the minimum exit height from the top of the floor protector being not less than 4.6m, and the minimum exit height above the roof line of roof ridge as detailed in the instructions.

The flue must be fitted with one of the following:

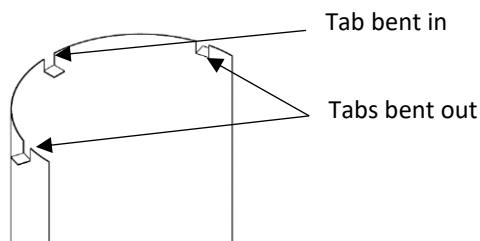
- 1) **Rear Flue Shield** – 900mm long, minimum 160° arc, stainless steel rear flue shield painted black.
- 2) **Solid Flue Shield** – a full length, solid outer flue shield (7.75" – 8" diameter) extending from the heater through into the drop box penetrating the ceiling. The base of the solid outer shield must be fitted with the Decromesh Locating Ring supplied with in the heater.



- 3) **Decromesh** – a full length, half radius perforated Decromesh flue shield (7.75" – 8" diameter) extending from the heater through into the drop box penetrating the ceiling. The base of the decromesh must be fitted with the Decromesh Locating Ring supplied with in the heater.

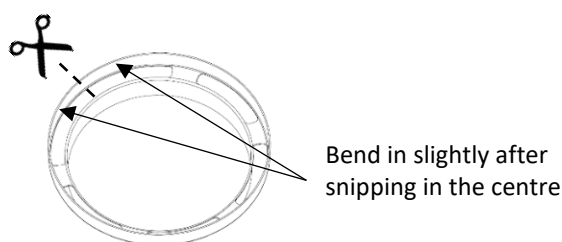


The 490mm half round inner reflector supplied with the heater must be fitted inside the rear of the Decromesh. Using tin-snips, cut 10mm tabs into the top and bottom of the inner reflector and bend out to create an air gap between it and the outer Decromesh.



Important: The base of the Decromesh or Solid Flue Shield must be fitted with the vented Decromesh Locating Ring supplied with the heater.

Depending on the supplier, Decromesh or Solid Flue Shield can be one of three sizes – 200 mm, 7 ¾ inch, or 8 inch diameter. The Decromesh Locating Ring will fit the two smaller diameters but not the 8 inch. In this scenario, snip through the outer ring with tin-snips, as shown in the diagram below. Bend the two “arms” in slightly so their ends do not protrude out when fitted. Ensure the snipped section is at the rear of the flue, out of sight.



Fitting Flue Seal

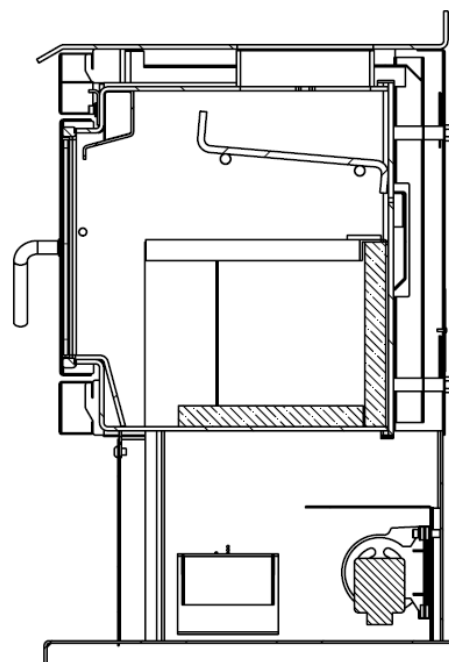
Any gaps between the inside of the flue spigot and the 6 inch active flue should be sealed. This can be done by wrapping the bottom of the flue with the piece of adhesive backed high temperature cloth tape supplied. Alternatively, stove cement designed for this purpose can also be used.

1.5. INSTALLING THE BAFFLE PLATE

The baffle plate should be installed before installing the fire bricks.

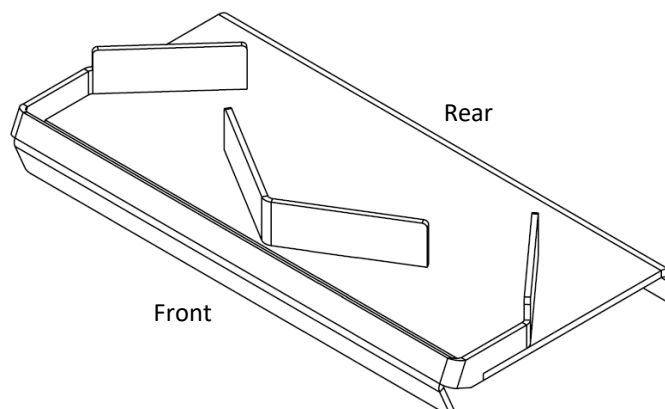
B500

- 1) Place the baffle plate inside the firebox with the larger of the folds at the front directed upward
- 2) Raise the front of the baffle and place it above the front pins from behind.
- 3) Raise the rear of the baffle, sliding it forward enough to clear the pins at the rear. Lift the rear of the baffle plate up and over the rear pins. (see image below for correct baffle placement).
- 4) Push baffle hard up against rear of firebox

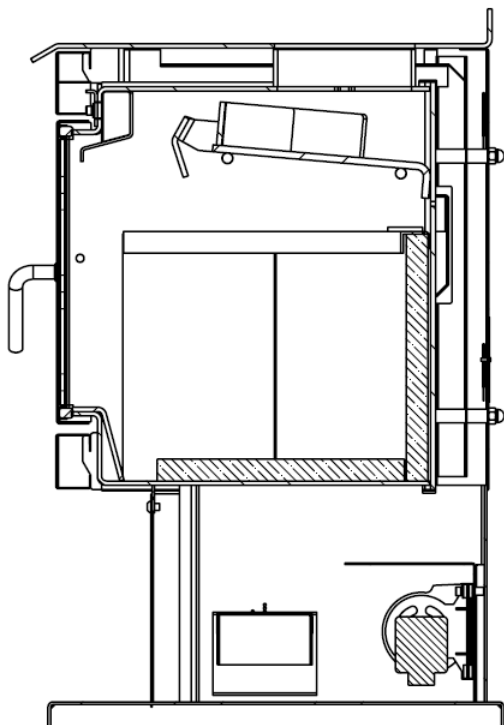


B800

The B800 baffle has vertical steel plates welded to the top for diverting the flames to maximise heating efficiency before exiting up the flue.



Installed the B800 baffle in the same method as described for the B500 on the previous page. Refer to image below for orientation of baffle plate within the firebox).



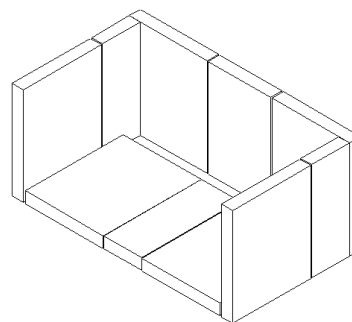
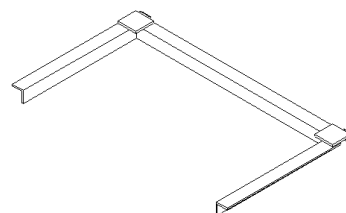
1.6. INSTALLING THE FIRE BRICKS

Place the bricks into the firebox as shown in the diagrams below for the B500 and B800.

Once bricks are in, fit the retainer over the top to hold them in place.

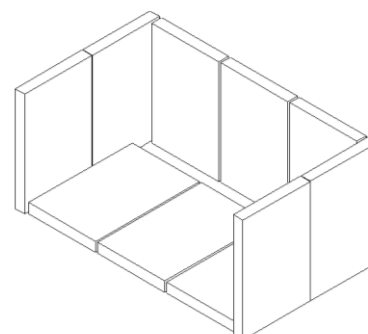
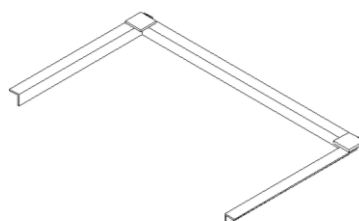
B500

- Two full size (220 x 175 x 25) and one (220 x 140 x 25) along the back.
- One full size and one half size (220 x 85 x 25) along each side.
- Two full size and one half size in the base.



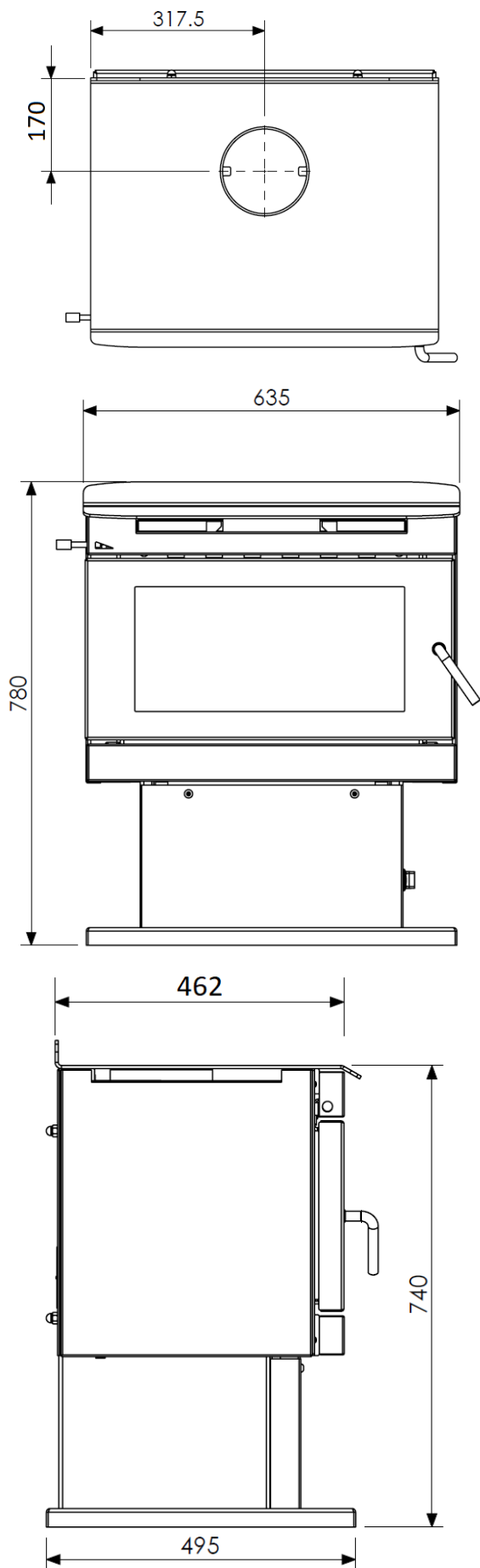
B800

- Three full size (270 x 175 x 25) along the back.
- Two full size along each side.
- Three full size in the base.

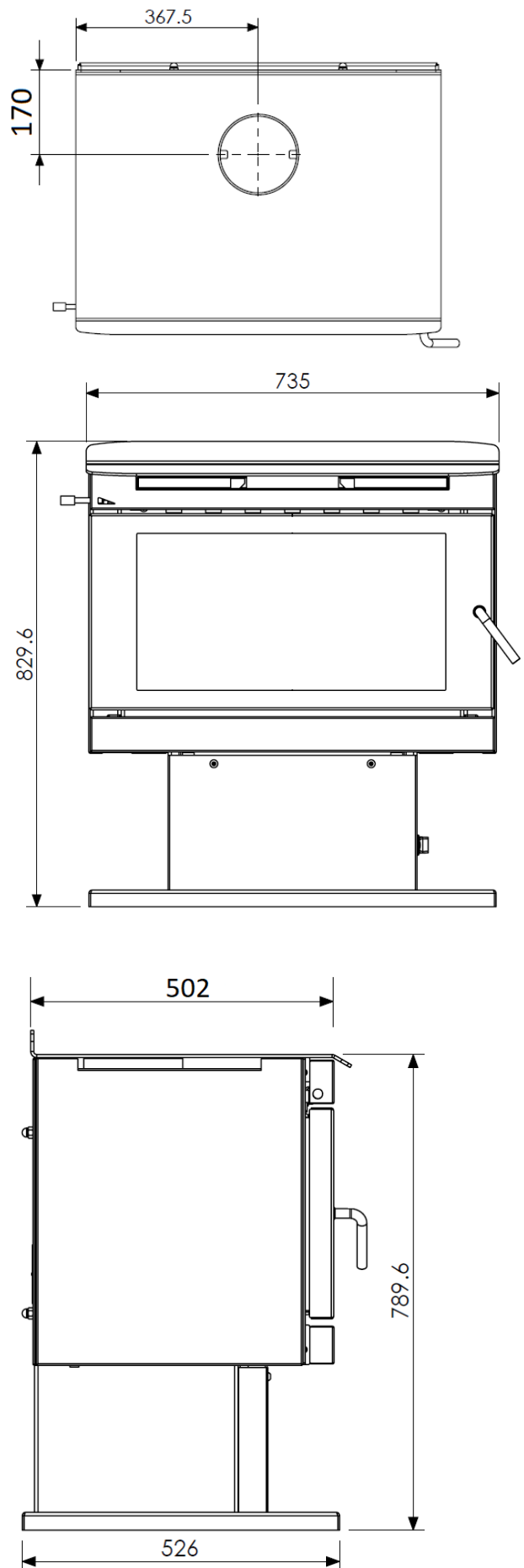


1.7. TECHNICAL DRAWINGS

B500



B800





Glen Dimplex Australia Pty Ltd

8 Lakeview Drive,
Scoresby Victoria 3179
Australia

T: 1300 556 816 | F: 1800 058 900

Email: sales@glendimplex.com.au