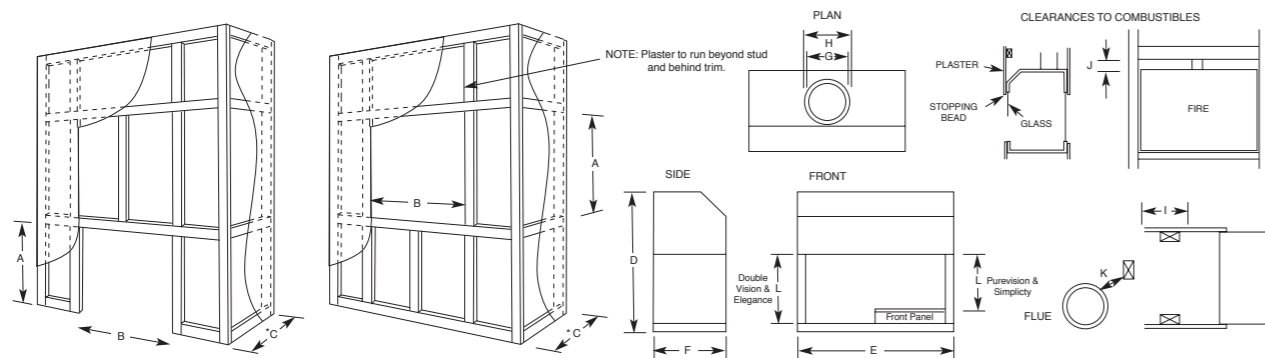


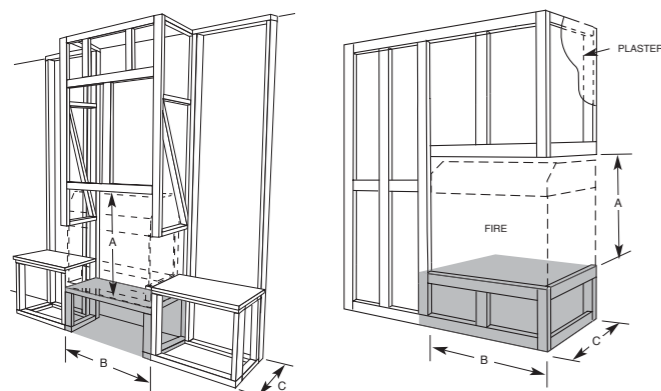
SIGNATURE

Note: The Signature range are delivered fully assembled. Always check that unit is square before fixing.



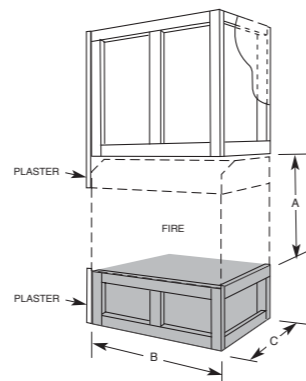
NOTES:
* C Dimension is finished depth including cladding.

| | A | | | B | C | D | | | E | F | G | H | I | J | K | L | | | M/hr | GPO | VENTILATION | |
|-----------------|------|------|------|------|-----|------|------|------|------|-----|-----|-----|----|-----|----|-----|-----|------|------|-----|-------------|-------|
| | SS | SM | SL | | | SS | SM | SL | | | | | | | | SS | SM | SL | | | | NG |
| DOUBLEVISION | 1130 | 1330 | 1530 | 1000 | 600 | 1030 | 1230 | 1430 | 950 | 600 | 225 | 275 | 25 | 100 | 25 | 600 | 800 | 1000 | 54 | 43 | NO | 40000 |
| ELEGANCE 850 | 1220 | 1420 | 1620 | 1000 | 475 | 1120 | 1320 | 1520 | 950 | 450 | 200 | 250 | 25 | 100 | 25 | 720 | 920 | 1120 | 37 | 33 | YES | 32000 |
| ELEGANCE 1000 | 1220 | 1420 | 1620 | 1150 | 475 | 1120 | 1320 | 1520 | 1100 | 450 | 250 | 300 | 25 | 100 | 25 | 720 | 920 | 1120 | 39 | 34 | YES | 50000 |
| ELEGANCE 1500 | 1270 | 1470 | 1670 | 1650 | 475 | 1170 | 1370 | 1570 | 1600 | 450 | 300 | 350 | 25 | 100 | 25 | 620 | 820 | 1020 | 55 | 48 | YES | 72000 |
| ELEGANCE 1800 | 1410 | 1610 | 1810 | 1950 | 475 | 1310 | 1510 | 1710 | 1900 | 450 | 300 | 350 | 25 | 100 | 25 | 620 | 820 | 1020 | 60 | 48 | YES | 72000 |
| PUREVISION 850 | 1220 | 1420 | 1620 | 1000 | 475 | 1120 | 1320 | 1520 | 950 | 450 | 200 | 250 | 25 | 100 | 25 | 600 | 800 | 1000 | 37 | 33 | YES | 32000 |
| PUREVISION 1000 | 1220 | 1420 | 1620 | 1150 | 475 | 1120 | 1320 | 1520 | 1100 | 450 | 250 | 300 | 25 | 100 | 25 | 600 | 800 | 1000 | 39 | 34 | YES | 50000 |
| PUREVISION 1500 | 1270 | 1470 | 1670 | 1650 | 475 | 1170 | 1370 | 1570 | 1600 | 450 | 300 | 350 | 25 | 100 | 25 | 500 | 700 | 900 | 55 | 48 | YES | 72000 |
| PUREVISION 1800 | 1410 | 1610 | 1810 | 1950 | 475 | 1310 | 1510 | 1710 | 1900 | 450 | 300 | 350 | 25 | 100 | 25 | 500 | 700 | 900 | 60 | 48 | YES | 72000 |
| SIMPLICITY 850 | 1220 | 1420 | 1620 | 1000 | 475 | 1120 | 1320 | 1520 | 950 | 450 | 200 | 250 | 25 | 100 | 25 | 600 | 800 | 1000 | 37 | 33 | YES | 32000 |
| SIMPLICITY 1000 | 1220 | 1420 | 1620 | 1150 | 475 | 1120 | 1320 | 1520 | 1100 | 450 | 250 | 300 | 25 | 100 | 25 | 600 | 800 | 1000 | 39 | 34 | YES | 50000 |
| SIMPLICITY 1500 | 1270 | 1470 | 1670 | 1650 | 475 | 1170 | 1370 | 1570 | 1600 | 450 | 300 | 350 | 25 | 100 | 25 | 500 | 700 | 900 | 55 | 48 | YES | 72000 |
| SIMPLICITY 1800 | 1410 | 1610 | 1810 | 1950 | 475 | 1310 | 1510 | 1710 | 1900 | 450 | 300 | 350 | 25 | 100 | 25 | 500 | 700 | 900 | 60 | 48 | YES | 72000 |



HYBRID

| | A | | | B | C |
|------------------------------|------|------|------|------|-----|
| | SS | SM | SL | | |
| DOUBLEVISION | 1130 | 1330 | 1530 | 975 | 600 |
| PUREVISION / SIMPLICITY 850 | 1220 | 1420 | 1620 | 975 | 475 |
| PUREVISION / SIMPLICITY 1000 | 1220 | 1420 | 1620 | 1125 | 475 |
| PUREVISION / SIMPLICITY 1500 | 1270 | 1470 | 1670 | 1625 | 475 |
| PUREVISION / SIMPLICITY 1800 | 1410 | 1610 | 1810 | 1925 | 475 |



ISLAND

| | A | | | B | C |
|-----------------|------|------|------|------|-----|
| | SS | SM | SL | | |
| DOUBLEVISION | 1130 | 1330 | 1530 | 950 | 600 |
| PUREVISION 850 | 1220 | 1420 | 1620 | 950 | 450 |
| PUREVISION 1000 | 1220 | 1420 | 1620 | 1100 | 450 |
| PUREVISION 1500 | 1270 | 1470 | 1670 | 1600 | 450 |
| PUREVISION 1800 | 1410 | 1610 | 1810 | 1900 | 450 |



Head Office, Factory and Showroom:

Scoresby VIC
1340 Ferntree Gully Road
T 03 8706 2000
F 03 8706 2001

Free on site advisory service
www.realflame.com.au

Richmond VIC
300 Swan Street
T 03 9428 4443

Norwood SA
173 Magill Road
T 08 8132 0371

Dandenong Sth VIC
3/328 Sth Gippsland Hwy
T 03 9702 7853

Osborne Park WA
47-53 McDonald Street
T 08 9444 9900

Geelong VIC
2a Gordon Avenue
T 03 5229 0844

Milton QLD
46 Douglas Street
T 07 3368 2011

Chatswood NSW
546 Pacific Highway
T 02 8905 0189

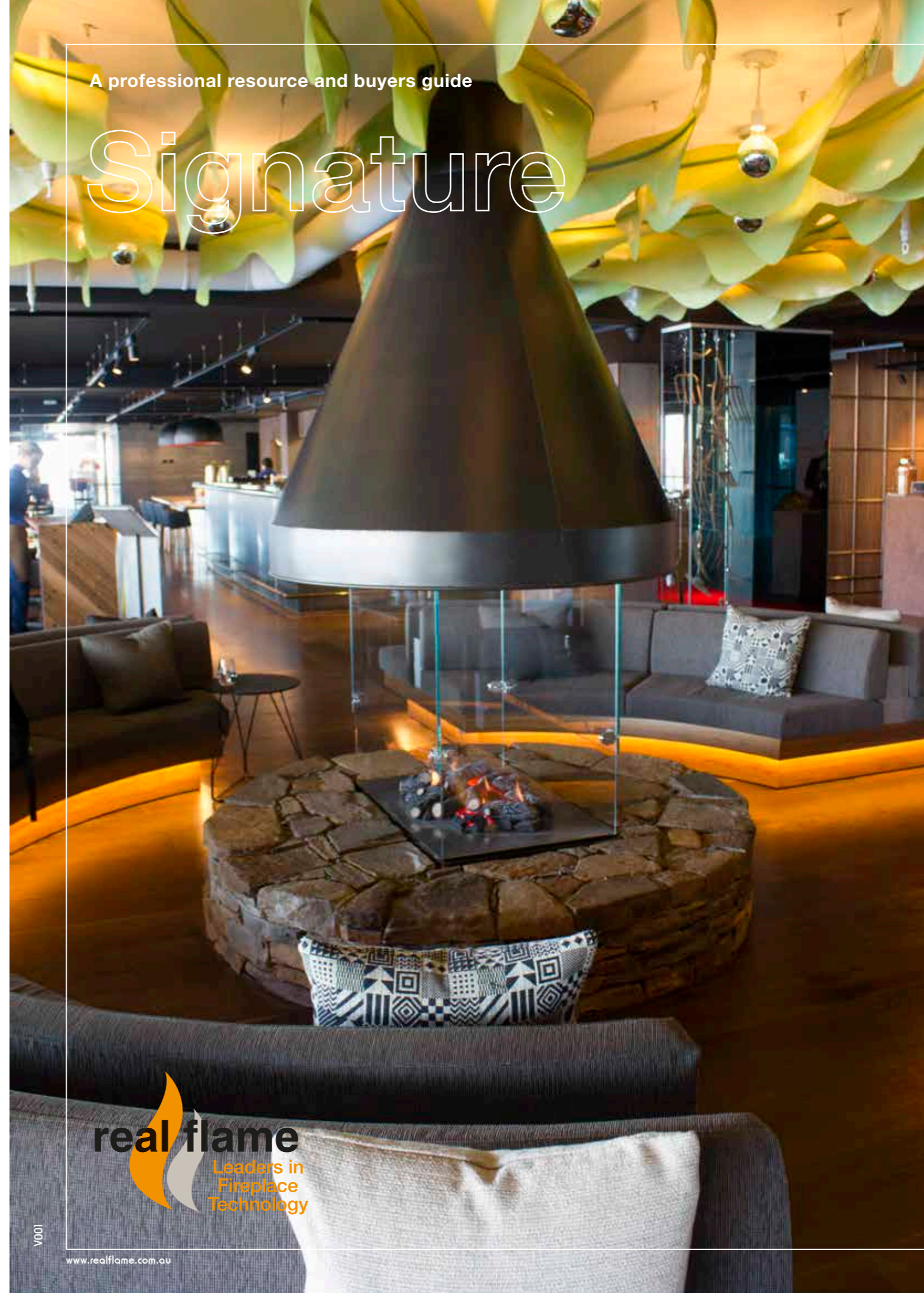
Fyshwick ACT
88 Wollongong Street
T 02 6280 5522

Miranda NSW
36 Kareena Road
T 02 8513 6202

Ulverstone TAS
31a Victoria Street
T 03 6425 4440

Warranty: Provided your Real Flame Gas Fire is installed by a licensed Gas Fitter in accordance with our installation instructions and any other relevant codes and operated in accordance with our operating manual, your firebox is warranted for a period of 15 years and all other parts for 2 years from date of purchase. Refer to our web site or our IOM's for a comprehensive warranty.

Available from:



A professional resource and buyers guide

Signature

V001

www.realflame.com.au





SIGNATURE

SS | SM | SL

TRULY CUTTING EDGE DESIGN

The Signature range is truly cutting edge design. With the ability to add glass to one, two, three or four sides of the Double Vision, Elegance, Simplicity or Pure Vision models, it allows the designer total flexibility. Once the decision has been made on which sides will have glass, the designer then has the option to extend the glass up to 1600mm, creating an incredible design centrepiece for the modern home or commercial space.



- Decorative
- Contemporary
- Electronic ignition
- New application
- Natural gas or LPG
- Pebble or coals and logs
- Conventional or Power Flue
- Glass options on all sides up to 1600mm
- Conceived, designed, researched, developed and built in Australia

