

SEGUIN TOPAZE



*International Installation Pictured



The Seguin Topaze, landing in Australia from Randan, France, is the largest of the wood stoves collection. The Topaze also offers a traditional looking design ready to become a feature in any home.

The Seguin Topaze is fully equipped with an ash pan & ash grate, Double Air Flow System (DAFS) and dual fuel loading door, so now reloading your fire will be easier than ever. Offering the highest kW output in the range, it will surely keep you warm and toasty during the cold winter nights.



100% Pure Cast Iron Firebox



Dual fuel loading system



Includes fire grate & ash pan

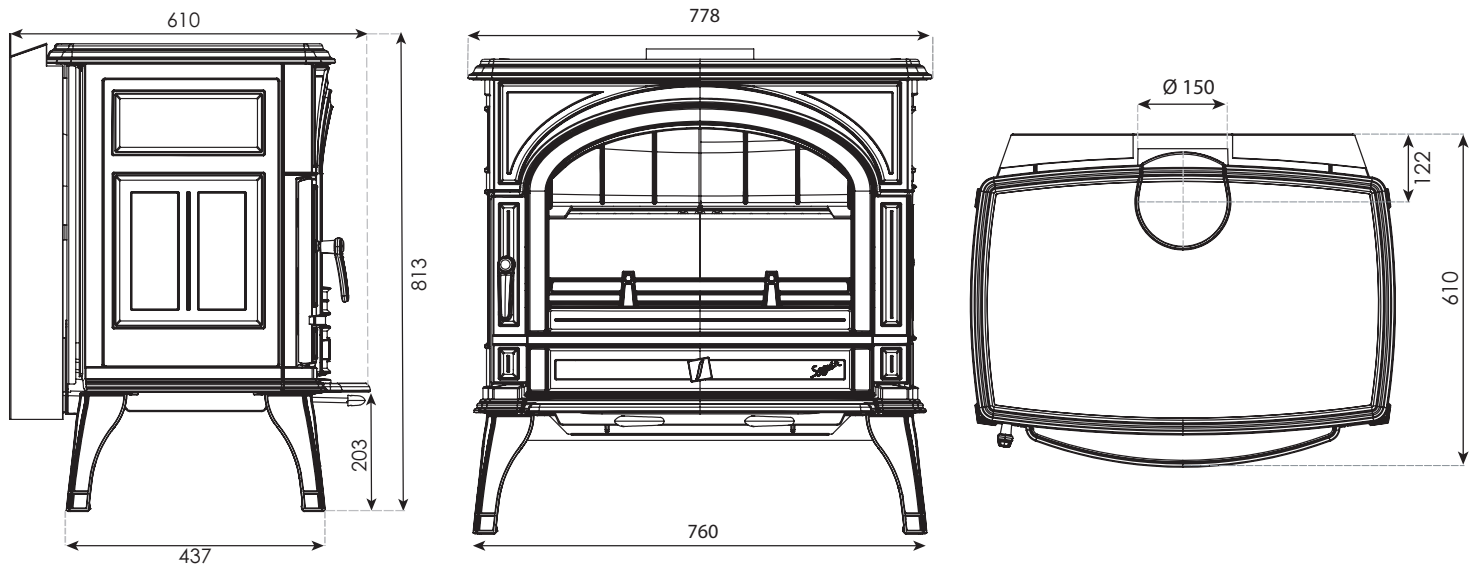


Hand crafted in France



DAFS (Double Air Flow System)

SEGUIN TOPAZE Specifications

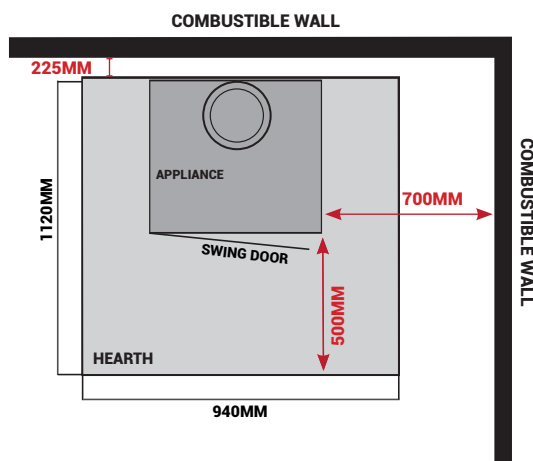


Material
Available Colours
Dual Damper Control
KW Output
Avg Emissions
Avg Efficiency
Door operation
Minimum Flue Height
Flue Dimensions
Warranty
Weight
Minimum Hearth Dimensions
Optional Outdoor Air Kit Available

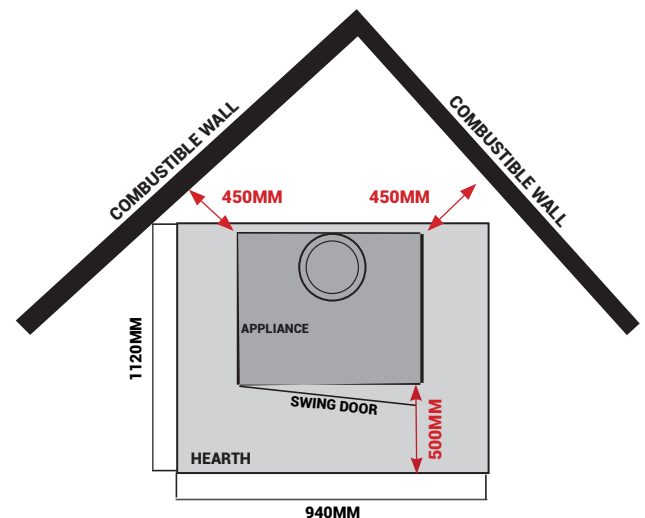
8-12mm Cast iron firebox with vermiculite lining
 Cast Iron Grey & Enamel Cream or Brown
 Combustion air & glass air wash control
 10.8kW
 1.3g/kg
 64%
 Two secure swing door opening system
 4.6m from the hearth
 150mm, 200mm, 250mm
 10 year firebox warranty**
 215 kg
 Width: 940mm Depth: 1120mm Thickness: 18mm***

Clearances & Hearth

All clearances shown are for appliance installed with a heat shield.



POSITION A PARALLEL POSITION



POSITION B CORNER POSITION

* Heating capacity of the following appliances are a guide only and refers to areas with 2.4m ceilings and 6 or more star rated buildings. Heating output may vary depending on factors such as building characteristics, quality of insulation, type of firewood used and climate zone.

** See warranty section in the installation manual for further details.

*** Refer to Installation Manual for full hearth dimensions and clearances.

All images & diagrams in this brochure are for illustration purposes only and are not drawn to scale.

E&OE. This unit and diagrams are in accordance with the requirements of AS/NZS 4012/4013 (2014) & 2918 (2018). All wood fires must be installed as per AUS & NZ standards AS/NZS 2918:2018.

© Copyright 2021 Sculpt Fireplaces Collection