



SCULPT™

FIREPLACE
COLLECTION





Intent on providing Australian's with a dynamic collection of designer fires, Sculpt Fireplace Collection has gathered not only Europe's best fireplace designs, but also fireplaces that have been manufactured with high quality materials that are built to last. We introduce to you our prestigious French fireplace manufacturers, Axis and Seguin. Both integrate innovation, technology, environmental impact, operational expertise and quality, whilst holding design at the forefront. Proudly hand crafted in France, these fireplaces add a new dimension to your home by creating the maximum of comfort whilst capturing the perfect place for social gatherings and special moments.

From the choice of cast-iron and steel, to the meticulous hand assembly of each firebox, Seguin Duteriez artisans perpetuate the "Duty of Quality" with a simple objective: *"Make the fireplace the heart of your home"*.

Advantages of Axis & Seguin



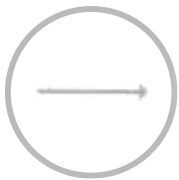
Handmade in France

Our exclusive Axis & Seguin fireplaces are hand made and crafted by artisan engineers in France, with Axis being ranked as the number one specialist for steel fireboxes in Europe. The traditional hand made methods provide the highest quality finish, using the most advanced technology and purest materials.



Use as a slow combustion or open fireplace

When selecting the lift door option, Seguin wood fireplaces can be used as either a slow combustion heater for practical purposes, with a longer fire term or an open fireplace for that ambient open fire experience.



Outdoor Air Intakes

An optional extra outside air connection is recommended for 6 + star rated or tightly sealed homes, where oxygen is drawn from outside and through the DAFS for combustion. This provides better efficiency and more effective combustion, thus not effecting the air quality in your home. (Excludes Seguin Multivision models).



DAFS (Double Airflow System)

Our Axis and Seguin fireplaces are equipped with patented DAFS technology which aims to inject oxygen at a determined level inside of the combustion chamber. The supply of new oxygen will burn gases and smoke not yet burnt, preventing them from being released into the flue system. The outcome is a longer fire term, cleaner glass, and effective combustion of fire wood. (Excludes Seguin Multivision models).



The Axis Difference

Axis fireboxes are made up of 60mm interlocking kiln bricks that are manually assembled and have been baked at 1350°. The patented refractory bricks ensure the accumulation, transmission and continuous release of heat over a superior period of time even after the fire has dissipated. (Excludes Axis I1000 models).



The Seguin Difference

To reach outstanding performance, Seguin fireplaces are manufactured with 100% pure cast iron only (excluding Hydro80 model). By using the highest quality raw materials, no warping of the firebox will ever occur and the retention of heat is also maximised due to the large fins on the outside of the firebox. It is this type of artisan engineering that allows Seguin to guarantee their fireboxes for ten years.

SEGUIN
DUTERIEZ

AXIS
POÊLES FOYERS CHEMINÉES





AXIS H1200



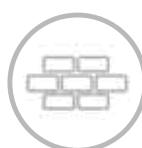
The artisan engineered Axis H1200 is a French panoramic steel firebox with breathtaking sentiments and an unbelievable heating performance. With its manually assembled interlocking refractory fire bricks and DAFS (Double Air Flow System) technology, the Axis H1200 inbuilt wood fireplace has been mastered to perfection. The large glass viewing area also gives this French made wood heater a luxurious contemporary feel that is much sought-after.



DAFS
(Double Air Flow System)



Includes
Fire Grate
& Ash Pan



Phenomenal
Fire Brick
Heat Retention



Dual Opening
System



Optional
Outdoor Air Kit



The hand-crafted Axis H1400 is a French engineered steel firebox that is sure to add a grand statement in any home. An incredible heating performance ensures your home is kept toasty in the colder months. With it's manually assembled interlocking refractory fire bricks and DAFS (Double Air Flow System) technology, the Axis H1400 inbuilt wood fireplace encompasses engineering excellence. The generous glass viewing area also gives this French made wood heater an opulent quality that is highly prized.



DAFS
(Double Air Flow
System)



Includes
Fire Grate
& Ash Pan



Phenomenal
Fire Brick
Heat Retention



Dual Opening
System



Optional
Outdoor Air Kit

AXIS H1600



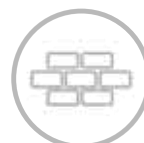
The handmade excellence of the Axis H1600 wood fireplace is much desired to those who seek the elegance of a panoramic wood heater combined with an unbelievable heating performance. This French made wood heater with manually assembled interlocking fire bricks will retain and radiate heat into the room even when the fire has recently dissipated. With its long glass viewing area, you'll be able to watch a dazzling performance of dancing flames.



DAFS
(Double Air Flow
System)



Includes
Fire Grate
& Ash Pan



Phenomenal
Fire Brick
Heat Retention



Dual Opening
System



Optional
Outdoor Air Kit



Australia's Largest Wood Heater

The large panoramic H1600XXL takes the title for being Australia's largest inbuilt wood fireplace, with an unbelievable 1.7m glass viewing area. With flexibility to be used as an open fireplace or slow combustion wood heater, this designer statement is sure to be a focal point in any grand space. Featuring an exceptional, hand-made French panoramic steel firebox with manually assembled interlocking heavy duty fire bricks that retain the heat well after the fire has dissipated.



DAFS
(Double Air Flow
System)



Includes
Fire Grate
& Ash Pan



Phenomenal
Fire Brick
Heat Retention



Dual Opening
System



Optional
Outdoor Air Kit

AXIS H1200DS



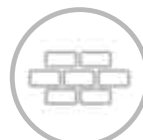
The artisan engineered Axis H1200DS double sided inbuilt wood fireplace is the perfect divider between two living spaces. View a spirited display of ambient flames that dance continuously from this double sided masterpiece all winter long. A personal gallery awaits from any point in the room with the Axis H1200DS double sided inbuilt wood fireplace. The large glass viewing area also gives this French hand made wood heater a luxurious contemporary feel that is much sought-after.



DAFS
(Double Air Flow
System)



Includes
Fire Grate
& Ash Pan



Phenomenal
Fire Brick
Heat Retention



Dual Opening
System



Optional
Outdoor Air Kit



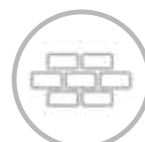
Let the Axis H1600DS double sided wood heater make an elegant statement in any open plan space. This slow combustion wood heater discreetly emphasises the art of perfect design and mastered engineering. With its long glass viewing area, you'll be able to watch the dancing flames all winter long. A panoramic wood heater combined with an excellent performance and double sided viewing area.



DAFS
(Double Air Flow
System)



Includes
Fire Grate
& Ash Pan



Phenomenal
Fire Brick
Heat Retention



Dual Opening
System



Optional
Outdoor Air Kit

AXIS H1600XXL DS



Australia's Largest Double Sided Wood Heater

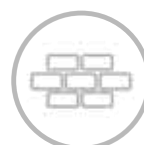
Being the largest double sided fireplace available in Australia, the Axis H1600XXL DS, has an unbelievable see-through 1.7m glass viewing area. With flexibility to be used as an open fireplace or slow combustion wood heater, this is true opulence with a contemporary edge all in a timeless design. The Axis H1600XXL DS features an exceptional panoramic steel firebox with manually assembled interlocking heavy duty fire bricks that retain the heat well after the fire has dissipated.



DAFS
(Double Air Flow
System)



Includes
Fire Grate
& Ash Pan



Phenomenal
Fire Brick
Heat Retention



Dual Opening
System



Optional
Outdoor Air Kit



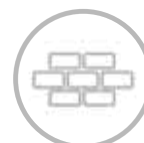
Spectacular from any angle the Axis H1200 3V three sided wood fireplace will create an unsurpassed ambience with its unique characteristics of being either an open fireplace or slow combustion heater with its unconventional glass viewing area. It's high quality three sided panoramic steel firebox and elegant glass door makes the aesthetics of the luxurious Axis H1200 3V three sided wood fireplace a real show stopper in any designer space.



DAFS
(Double Air Flow System)



Includes
Fire Grate
& Ash Pan



Phenomenal
Fire Brick
Heat Retention



Dual Opening
System



Optional
Outdoor Air Kit

AXIS H1200VLG



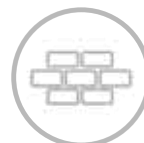
The Axis H1200 VLG two sided wood fireplace, with left hand side glass viewing area, is a display of geometric versatility and artisan engineered construction and will exude mesmerizing comfort and unsurpassed design excellence from any angle. With it's playful design the Axis H1200VLG will bring a polished urban design to any space. The large glass viewing area also offers a highly sought-after luxurious contemporary feel.



DAFS
(Double Air Flow
System)



Includes
Fire Grate
& Ash Pan



Phenomenal
Fire Brick
Heat Retention



Dual Opening
System



Optional
Outdoor Air Kit



The Axis H1200 VLD showcases a right hand side corner glass viewing area option. Displaying a geometric versatility and artisan engineered construction that will exude mesmerizing comfort and unsurpassed design excellence from any angle. With it's playful design the Axis H1200VLD will bring a polished urban design to any space. The large glass viewing area also offers a highly sought-after luxurious contemporary feel.



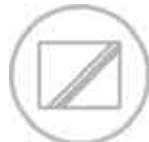
DAFS
(Double Air Flow System)



Includes
Fire Grate
& Ash Pan



Phenomenal
Fire Brick
Heat Retention



Dual Opening
System



Optional
Outdoor Air Kit

AXIS EPI950



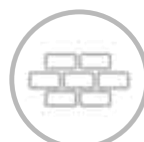
Making a distinct impression, the Axis EPI950 is a smart beauty that will appeal to any interior living space. Humbly sophisticated, the high quality three sided glass viewing area achieves to not only heat a home but also create an astute impression upon entry. All of this combined with the high end, luxury designer style and the latest efficiencies from Europe, expertly offered by the Axis range.



DAFS
(Double Air Flow
System)



Includes
Fire Grate
& Ash Pan



Phenomenal
Fire Brick
Heat Retention



Dual Opening
System



Optional
Outdoor Air Kit

SEGUIN EUROPA 7 SERIES



Seguin Europa 7



Seguin Europa 7 Black Line



Seguin Europa 7 Lift



Contemporary meets classic with the Seguin Europa 7 series. These beautifully crafted pure cast iron wood fires are sure to add breath taking ambiance in any stylish home whether installed as a built-in or free standing fireplace. Hand made in France, the undeniable quality of the Seguin Europa 7 series will also aim to please aesthetically and burn effectively. The Europa 7 series comes with options of a swing door or swing & lift door mechanism.



100% Pure Cast Iron Firebox



DAFS (Double Air Flow System)



Includes Fire Grate & Ash Pan



10 Year Firebrick Warranty



Install Freestanding OR Inbuilt



Optional Outdoor Air Kit

SEGUIN EUROPA 7 VL SERIES



Seguin Europa 7 VL
Left Black Line



Seguin Europa 7 VL
Right Black Line



Seguin Europa 7
VL Black Line Lift
(Left or Right)



The Seguin Europa 7 VL series, comes with black line glass, swing and lift door mechanism and corner glass side viewing area options. These beautifully crafted pure cast iron wood fires are sure to add breath taking ambiance in any stylish home whether installed as a built-in or free standing fireplace. The undeniable quality of the Seguin Europa 7 VL series will not only burn effectively but also aim to please aesthetically regardless of its location.



100% Pure Cast
Iron Firebox



DAFS
(Double Air Flow
System)



Includes
Fire Grate
& Ash Pan



10 Year
Firebrick
Warranty



Install
Freestanding
OR Inbuilt



Optional
Outdoor Air Kit

SEGUIN MULTIVISION 8000 SERIES



Seguin Multivision 8000
Two Sided



Seguin Multivision 8000
3V Three Sided



Seguin Multivision 8000
Four Sided



Seguin Multivision 8000 EPI Three Sided

The Seguin Multivision 8000 pure cast iron series comes with options like two, three and Australia's first four sided wood heater. With the various glass viewing options, it's suitable for any contemporary living space. These beautifully crafted, pure cast iron wood fires are sure to add breath taking ambiance in any stylish home whether installed as a built-in or free standing fireplace.



100% Pure Cast Iron Firebox



DAFS (Double Air Flow System)



Includes Fire Grate & Ash Pan



10 Year Firebrick Warranty



Install Freestanding OR Inbuilt



Available in multiple viewing areas

SEGUIN SUPER 9 SERIES



Seguin Super 9



Seguin Super 9 Black Line Lift



Seguin Super 9 Lift



Pioneering a cast iron slow combustion wood fire to look like a modern minimalist wood heater that blends into any interior is no lack of achievement – The Seguin Super 9 series is a humble element that achieves this in any living space. Together with its patented DAFS (Double Air Flow System) and pure cast iron firebox, this series is the largest in our cast iron firebox range and accomplishes designer fireplace excellence. Available in swing door mechanism, swing & lift door mechanism, and swing & lift door mechanism with black silk screen printed glass.



100% Pure Cast Iron Firebox



DAFS (Double Air Flow System)



Includes Fire Grate & Ash Pan



10 Year Firebrick Warranty



Install Freestanding OR Inbuilt



Optional Outdoor Air Kit

SEGUIN VISIO 8 PLUS SERIES



Seguin Visio 8 Black Line



Seguin Visio 8 Black Line Lift



You'll never yearn again for complete harmony in your interior space once attaining one of the Seguin Visio 8 Plus fireplaces. Made in Randan, France, and constructed with pure cast iron, these classic fire boxes come equipped with the Seguin air wash system that keeps the glass clean, you'll be wanting to stay next to your new Seguin Visio 8 all winter long. You can attain this heater in options with swing door mechanism & black line glass or with swing & lift door mechanics and black line glass.



100% Pure Cast Iron Firebox



DAFS (Double Air Flow System)



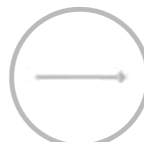
Includes Fire Grate & Ash Pan



10 Year Firebrick Warranty

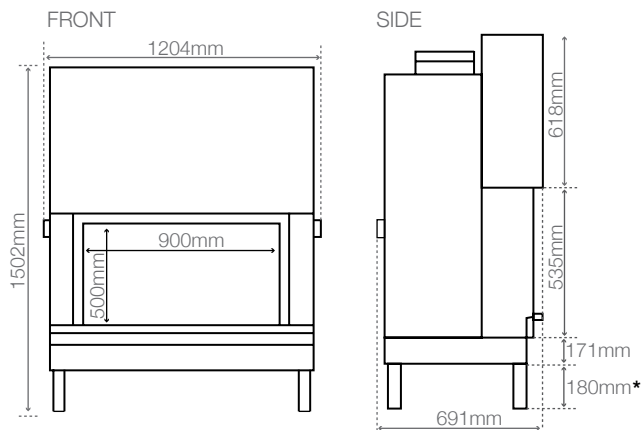


Install Freestanding OR Inbuilt



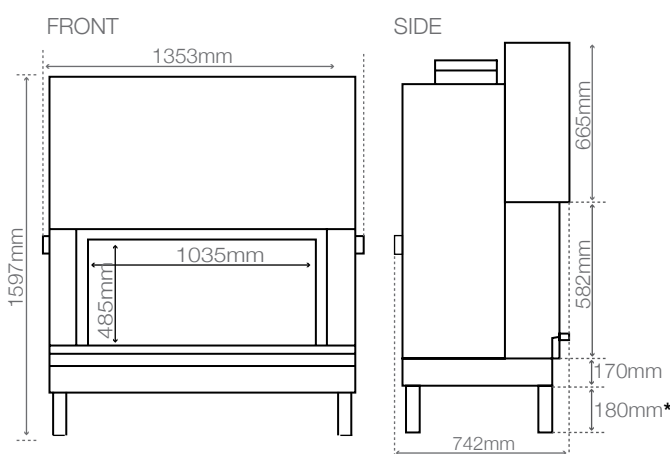
Optional Outdoor Air Kit

AXIS Specifications



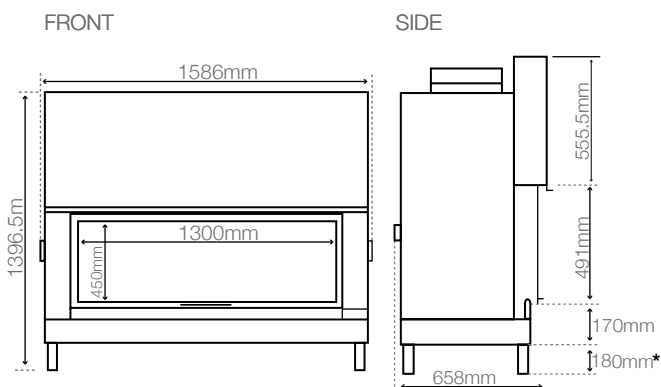
Axis H1200

Material	Solid steel firebox with 60mm thick firebricks
KW output	30kw
Heating capacity	Up to 150m ² -300m ² *
Facade	Clean frame-less design (trim options available)
Glass door	Secure lift up and swing door
Minimum flue height	5.4m
Flue sizes	250mm, 300mm, 350mm
Includes hot air transfer kit	Two ducts and two registers
Outside air kit	Recommended for well insulated homes
Warranty	10 year firebrick & 5 year firebox warranty**
Weight	380kg
Legs*	Adjustable 180mm-600mm
Hearth dimensions	min 500mm in front of any part of the fireplace, 250mm on either side & 75mm thick



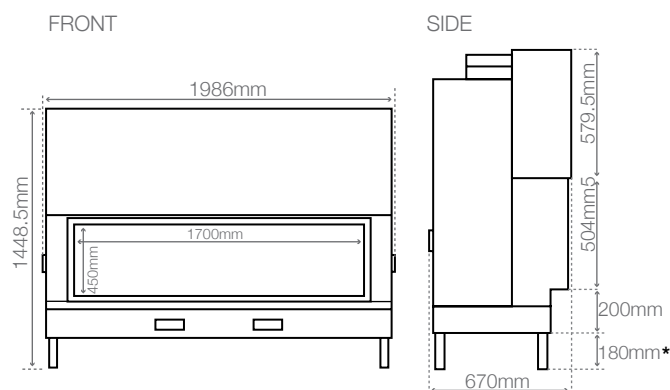
Axis H1400

Material	Solid steel firebox with 60mm thick firebricks
KW output	32.5kw
Heating capacity	Up to 180m ² -320m ² *
Facade	Clean frame-less design (trim options available)
Glass door	Secure lift up and swing door
Minimum flue height	5.4m
Flue sizes	300mm, 350mm, 400mm
Includes hot air transfer kit	Two ducts and two registers
Outside air kit	Recommended for well insulated homes
Warranty	10 year firebrick & 5 year firebox warranty**
Weight	400kg
Legs*	Adjustable 180mm-600mm
Hearth dimensions	min 500mm in front of any part of the fireplace, 250mm on either side & 75mm thick



Axis H1600

Material	Solid steel firebox with 60mm thick firebricks
KW output	35kw
Heating capacity	Up to 200m ² -350m ² *
Facade	Clean frame-less design (trim options available)
Glass door	Secure lift up and swing door
Minimum flue height	5.4m
Flue sizes	300mm, 350mm, 400mm
Includes hot air transfer kit	Two ducts and two registers
Outside air kit	Recommended for well insulated homes
Warranty	10 year firebrick & 5 year firebox warranty**
Weight	460kg
Legs*	180mm-600mm
Hearth dimensions	min 500mm in front of any part of the fireplace, 250mm on either side & 75mm thick

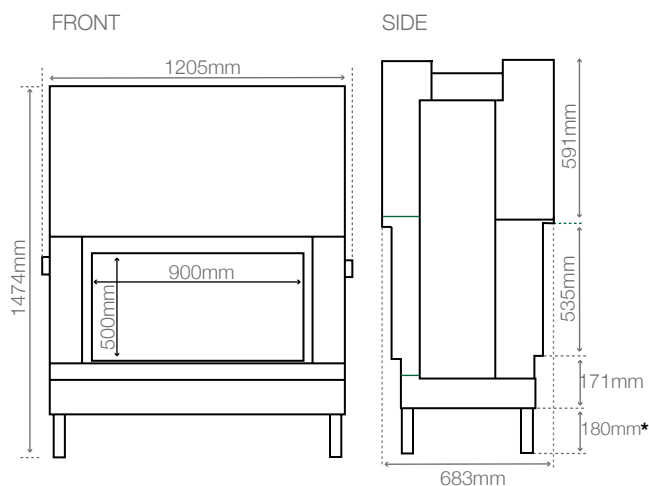


Axis H1600XXL

Material	Solid steel firebox with 60mm thick firebricks
KW output	40kw+
Heating capacity	Up to 250m ² -400m ² *
Facade	Clean frame-less design (trim options available)
Glass door	Secure lift up and swing door
Minimum flue height	5.4m
Flue sizes	300mm, 350mm, 400mm
Includes hot air transfer kit	Two ducts and two registers
Outside air kit	Recommended for well insulated homes
Warranty	10 year firebrick & 5 year firebox warranty**
Weight	530kg
Legs*	Adjustable 180mm-600mm
Hearth dimensions	min 500mm in front of any part of the fireplace, 250mm on either side & 75mm thick

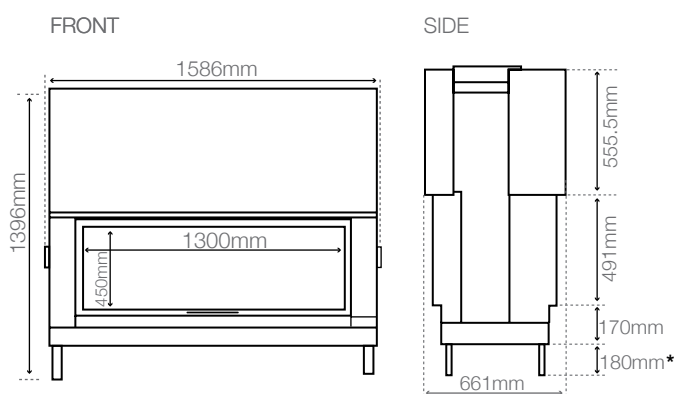
* Heating capacity of the following appliances are a guide only and refers to areas with 2.4m ceilings and 6 or more star rated buildings. Heating output may vary depending on factors such as building characteristics, quality of insulation, type of firewood used and climate zone.

** See warranty section in the installation manual for further details.



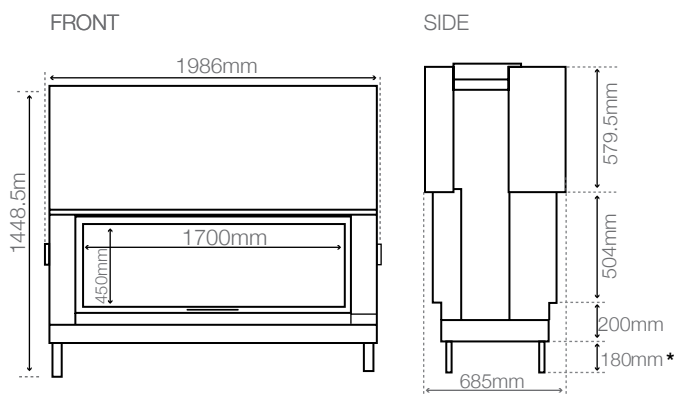
Axis H1200DS

Material	Solid steel firebox with 60mm thick firebricks
KW output	20kw
Heating capacity	Up to 200m ² *
Facade	Clean frame-less design (trim options available)
Glass door	Secure lift up and swing door
Minimum flue height	5.4m
Flue sizes	250mm, 300mm, 350mm
Includes hot air transfer kit	Two ducts and two registers
Outside air kit	Recommended for well insulated homes
Warranty	10 year firebrick & 5 year firebox warranty**
Weight	380kg
Legs*	Adjustable 180mm-600mm
Hearth dimensions	min 500mm in front of any part of the fireplace, 250mm on either side & 75mm thick



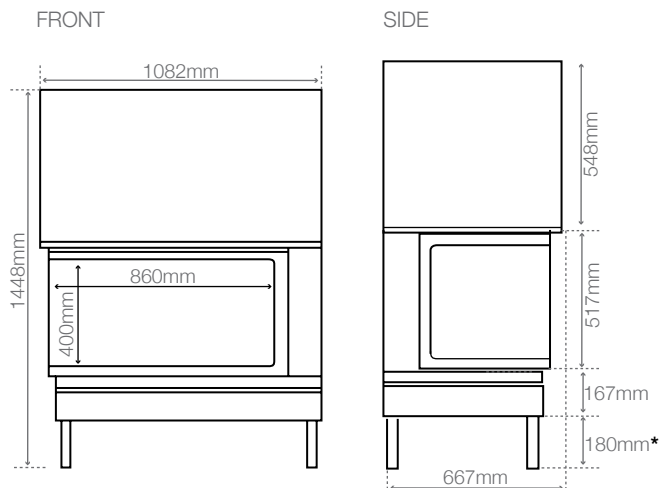
Axis H1600DS

Material	Solid steel firebox with 60mm thick firebricks
KW output	25kw
Heating capacity	Up to 250m ² *
Facade	Clean frame-less design (trim options available)
Glass door	Secure lift up and swing door
Minimum flue height	5.4m
Flue sizes	300mm, 350mm, 400mm
Includes hot air transfer kit	Two ducts and two registers
Outside air kit	Recommended for well insulated homes
Warranty	10 year firebrick & 5 year firebox warranty**
Weight	460kg
Legs*	Adjustable 180mm-600mm
Hearth dimensions	min 500mm in front of any part of the fireplace, 250mm on either side & 75mm thick



Axis H1600XXLDS

Material	Solid steel firebox with 60mm thick firebricks
KW output	30kw
Heating capacity	Up to 300m ² *
Facade	Clean frame-less design (trim options available)
Glass door	Secure lift up and swing door
Minimum flue height	5.4m
Flue sizes	300mm, 350mm, 400mm
Includes hot air transfer kit	Two ducts and two registers
Outside air kit	Recommended for well insulated homes
Warranty	10 year firebrick & 5 year firebox warranty**
Weight	530kg
Legs*	Adjustable 180mm-600mm
Hearth dimensions	min 500mm in front of any part of the fireplace, 250mm on either side & 75mm thick



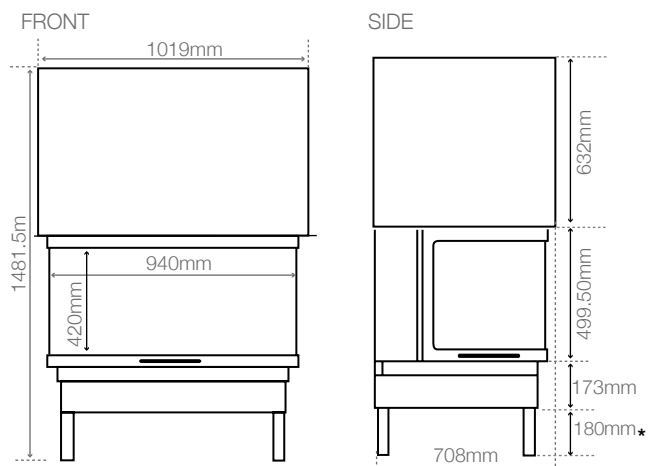
Axis H1200VLD/MLG

Material	Solid steel firebox with 60mm thick firebricks
KW output	20kw
Heating capacity	Up to 200m ² *
Facade	Clean frame-less design (trim options available)
Glass door	Secure lift up and swing door
Minimum flue height	5.4m
Flue sizes	250mm, 300mm, 350mm
Includes hot air transfer kit	Two ducts and two registers
Outside air kit	Recommended for well insulated homes
Warranty	10 year firebrick & 5 year firebox warranty**
Weight	380kg
Legs*	Adjustable 180mm-600mm
Hearth dimensions	min 500mm in front of any part of the fireplace, 250mm on either side & 75mm thick

* Heating capacity of the following appliances are a guide only and refers to areas with 2.4m ceilings and 6 or more star rated buildings. Heating output may vary depending on factors such as building characteristics, quality of insulation, type of firewood used and climate zone.

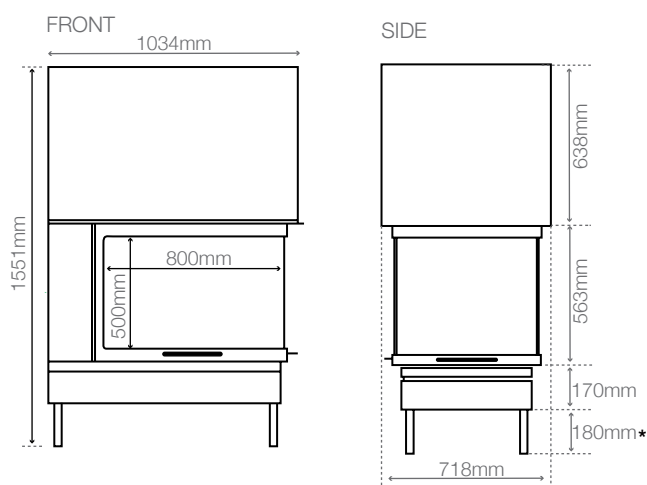
** See warranty section in the installation manual for further details.

AXIS Specifications



Axis H12003V

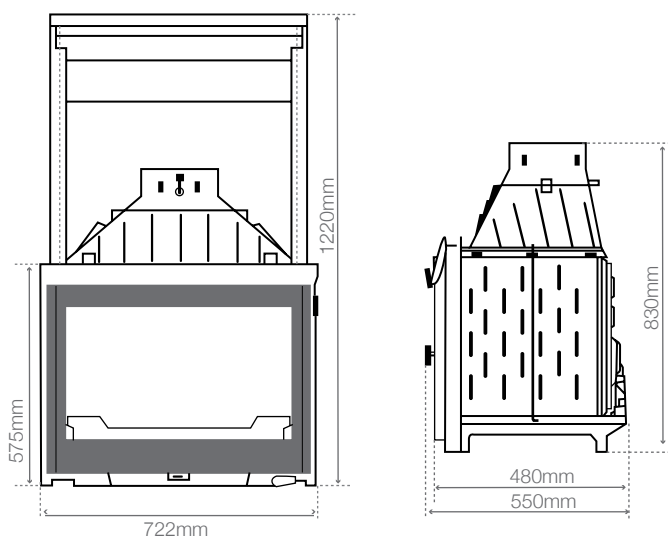
Material	Solid steel firebox with 60mm thick firebricks
KW output	20kw
Heating capacity	Up to 200m ² *
Facade	Clean frame-less design (trim options available)
Glass door	Secure lift up and swing door
Minimum flue height	5.4m
Flue sizes	250mm, 300mm, 350mm
Includes hot air transfer kit	Two ducts and two registers
Outside air kit	Recommended for well insulated homes
Warranty	10 year firebrick & 5 year firebox warranty**
Weight	380kg
Legs*	Adjustable 180mm-600mm
Hearth dimensions	min 500mm in front of any part of the fireplace, 250mm on either side & 75mm thick



Axis EPI950

Material	Solid steel firebox with 60mm thick firebricks
KW output	20kw
Heating capacity	Up to 50m ² -200m ² *
Facade	Clean frame-less design (trim options available)
Glass door	Secure lift up and swing door
Minimum flue height	5.4m
Flue sizes	280mm, 330mm, 380mm
Includes hot air transfer kit	Two ducts and two registers
Outside air kit	Recommended for well insulated homes
Warranty	10 year firebrick & 5 year firebox warranty**
Weight	330kg
Legs*	Adjustable 180mm-600mm
Hearth dimensions	min 500mm in front of any part of the fireplace, 250mm on either side & 75mm thick

SEGUIN specifications



Europa 7 Evolution Series

Material	100% pure cast iron, 8-12mm thickness
KW output	17.9kw
Heating capacity	Up to 150m ² -250m ² *
Facade	Clean frame-less design (trim options available)
Glass door	Secure lift up and swing door
Minimum flue height	4.6m
Flue sizes	200mm, 250mm, 300mm
Includes hot air transfer kit	A duct and a register
Outside air kit	Recommended for well insulated homes
Warranty	10 year firebox warranty**
Weight	170kg
Hearth dimensions*	min 500mm in front of any part of the fireplace, 250mm on either side & 75mm thick

*Dimensions shown include the lift up door option, exclude these dimensions for swing door version. Hearth dimensions are for inbuilt models only. Depth of unit subject to DAFS adaptation, see installation manual for more information.

* Heating capacity of the following appliances are a guide only and refers to areas with 2.4m ceilings and 6 or more star rated buildings. Heating output may vary depending on factors such as building characteristics, quality of insulation, type of firewood used and climate zone.

** See warranty section in the installation manual for further details.

DISCLAIMER: *All heating capacities listed in this brochure are a guide only and refers to areas with 2.4m ceilings and 6 or more star rated buildings. Heating output may vary depending on factors such as building characteristics, quality of insulation, type of firewood used and climate zone. All dimensions shown are approximate. Check all dimensions accurately prior to installation. In line with our policy of continuous improvement, we reserve the right to alter specifications without notice.

E.&E.O Images and diagrams are for illustration purposes only. Sculpt reserves the right to change these specifications without prior notice. This information does not replace the installation manual which provides more in depth information. Must be installed in a full masonry enclosure as per Australian & New Zealand standards AS/NZS 2918:2001.

Seguin Europa 7 Evolution VL Series

Material	100% pure cast iron, 8-12mm thickness
KW output	17.9kw
Heating capacity	Up to 50m ² -200m ² *
Facade	Clean frame-less design (trim options available)
Glass door	Secure lift up and swing door
Minimum flue height	4.6m
Flue sizes	200mm, 250mm, 300mm
Includes hot air transfer kit	A duct and a register
Outside air kit	Recommended for well insulated homes
Warranty	10 year firebox warranty**
Weight	170kg
Hearth dimensions*	min 500mm in front of any part of the fireplace, 250mm on either side & 75mm thick

*Dimensions shown include the lift up door option, exclude these dimensions for swing door version. Hearth dimensions are for inbuilt models only. Depth of unit subject to DAFS adaptation, see installation manual for more information.

Seguin Multivision 8000 Series

Material	100% pure cast iron, 8-12mm thickness
KW output	16.5kW (4 Sidede Model)
Heating capacity	Up to 50m ² -250m ² *
Facade	Clean frame-less design (no trim)
Glass door	Secure lift up and swing door
Minimum flue height	4.6m
Flue sizes	250mm, 300mm, 350mm
Includes hot air transfer kit	A duct and a register
Outside air kit	Recommended for well insulated homes
Warranty	10 year firebox warranty**
Weight	230kg
Hearth dimensions*	min 500mm in front of any part of the fireplace, 250mm on either side & 75mm thick

*Dimensions shown include the lift up door option, exclude these dimensions for swing door version. Hearth dimensions are for inbuilt models only. Depth of unit subject to DAFS adaptation, see installation manual for more information.

Seguin Super 9 Series

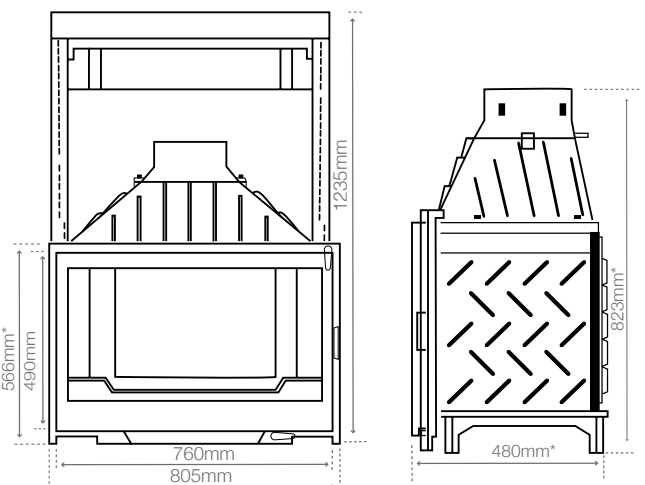
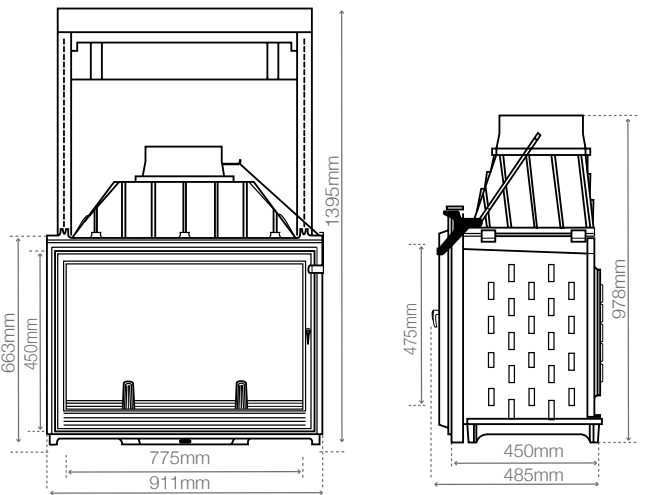
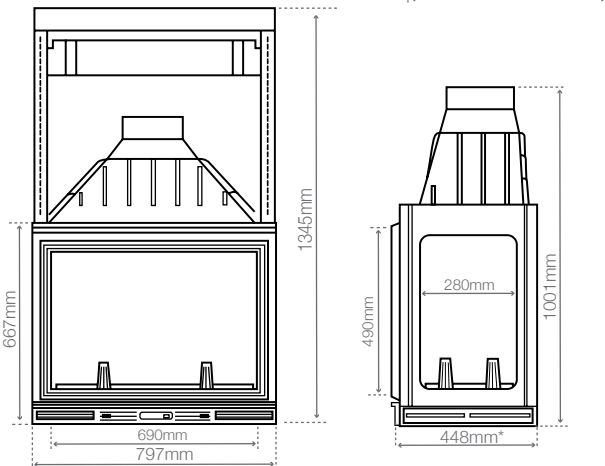
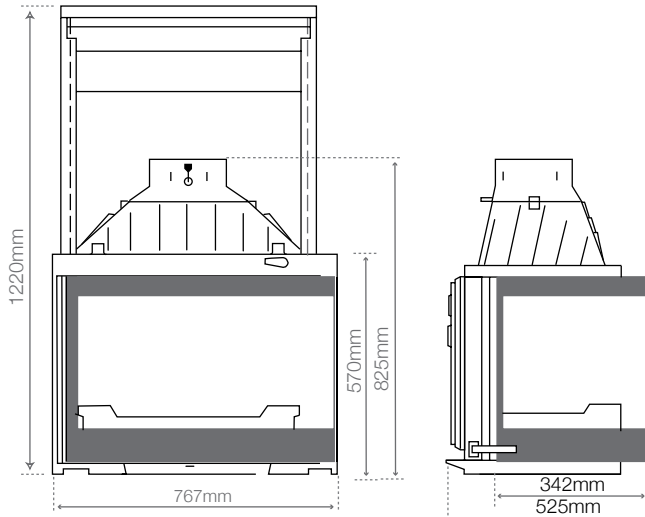
Material	100% pure cast iron, 8-12mm thickness
KW output	26kw
Heating capacity	Up to 100m ² -300m ² *
Facade	Clean frame-less design (trim options available)
Glass door	Secure lift up and swing door
Minimum flue height	4.6m
Flue sizes	250mm, 300mm, 350mm
Includes hot air transfer kit	A duct and a register
Outside air kit	Recommended for well insulated homes
Warranty	10 year firebox warranty**
Weight	250kg
Hearth dimensions*	min 500mm in front of any part of the fireplace, 250mm on either side & 75mm thick

*Dimensions shown include the lift up door option, exclude these dimensions for swing door version. Hearth dimensions are for inbuilt models only. Depth of unit subject to DAFS adaptation, see installation manual for more information.

Seguin Visio 8 Plus Series

Material	100% pure cast iron, 8-12mm thickness
KW output	27.8kw
Heating capacity	Up to 140m ² -340m ² *
Facade	Clean frame-less design (trim options available)
Glass door	Secure lift up and swing door
Minimum flue height	4.6m
Flue sizes	200mm, 250mm, 300mm
Includes hot air transfer kit	A duct and a register
Outside air kit	Recommended for well insulated homes
Warranty	10 year firebox warranty**
Weight	190kg
Hearth dimensions*	min 500mm in front of any part of the fireplace, 250mm on either side & 75mm thick

*Dimensions shown include the lift up door option, exclude these dimensions for swing door version. Hearth dimensions are for inbuilt models only. Depth of unit subject to DAFS adaptation, see installation manual for more information.



“Igniting inspiration with a new dimension in fireplace design is now an easy choice”

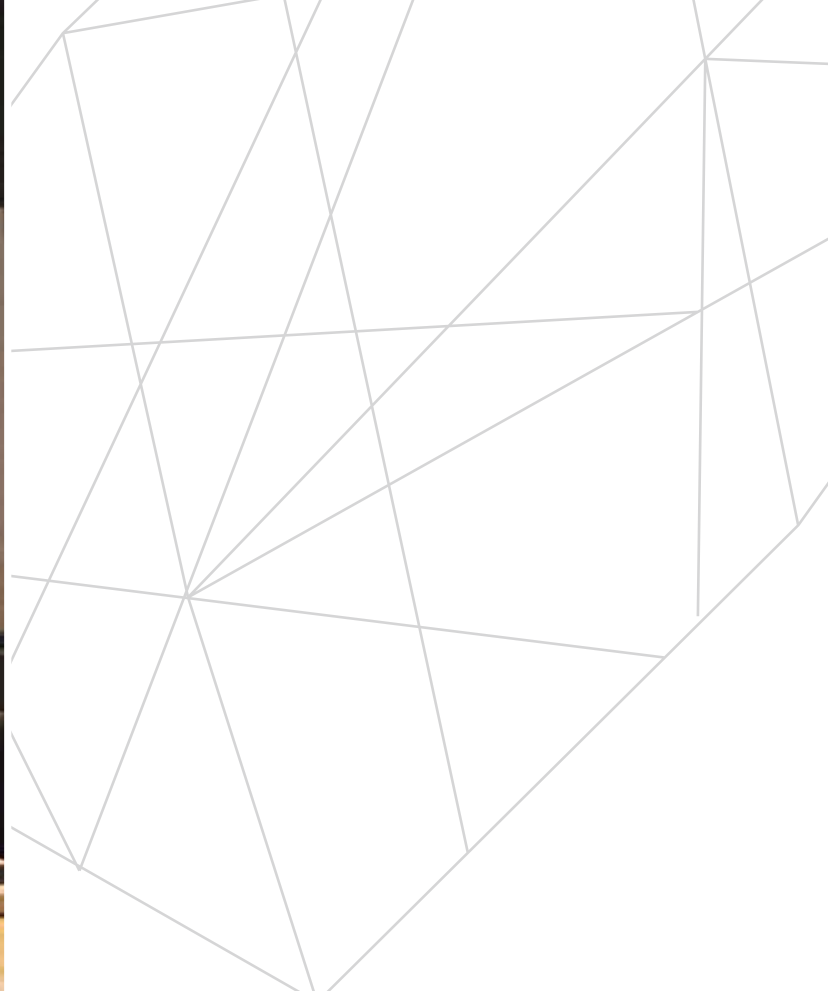


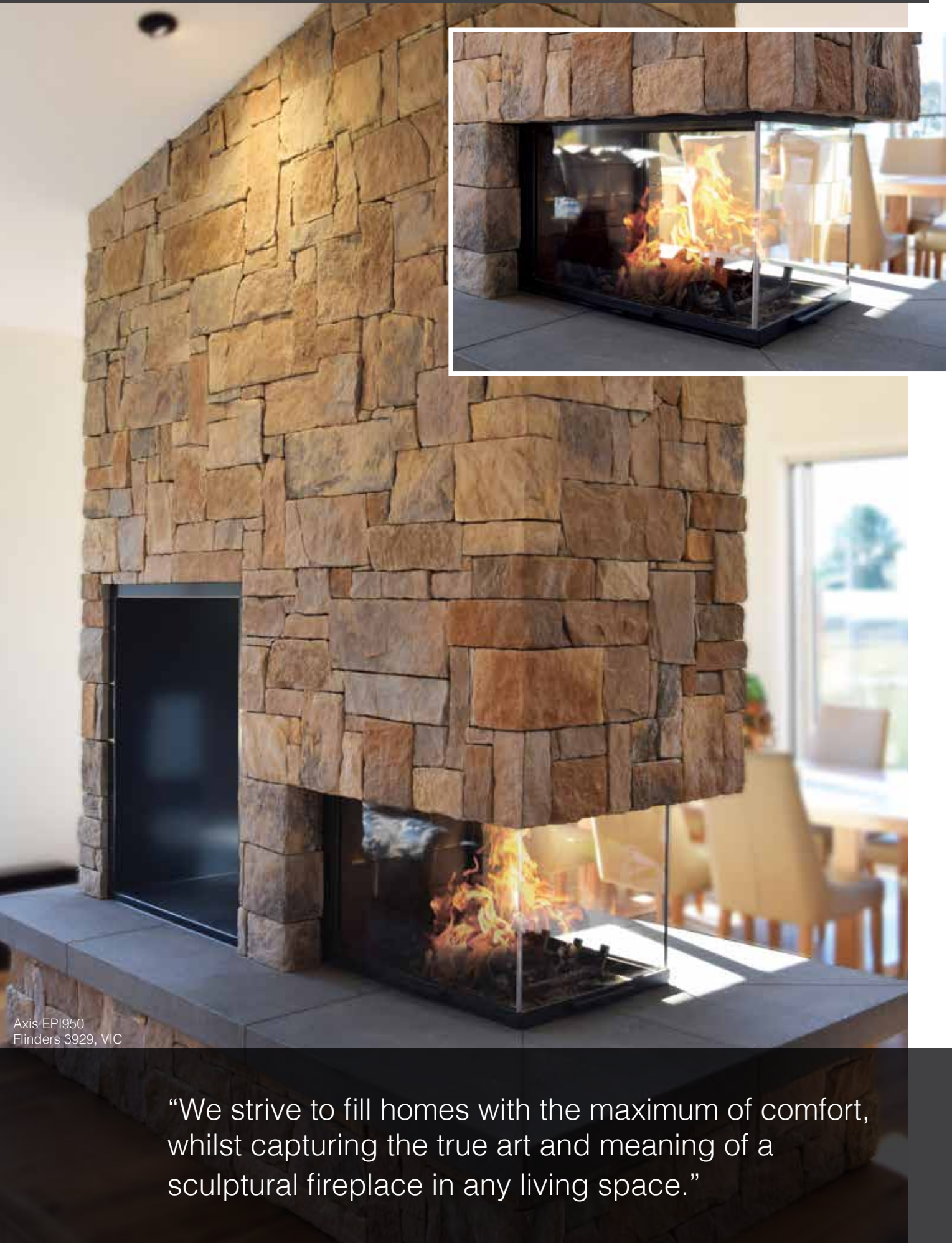
Seguin Multivision 8000 (4 Sided)
Wollongong 2500, NSW

SEGUIN & AXIS Projects



Axis H1400
Melbourne 3000, VIC





Axis EP1950
Flinders 3929, VIC

“We strive to fill homes with the maximum of comfort, whilst capturing the true art and meaning of a sculptural fireplace in any living space.”

SEGUIN & AXIS Projects



Fire has captivated the human imagination for eons, as it maintains its significance as the heart of many homes and commercial buildings across the globe.

Exceptional design coupled with refined materials, our fireplace collection showcases the perfect merging of style and function, hand-made in the heart of France for the heart of your home.



Seguin Multivision 8000 4 Sided
Mount Martha 3934, VIC.





Combining quality craftsmanship
with exquisite design at the forefront

SCULPTTM

FIREPLACE
COLLECTION

1300 851 304
info@sculptfireplaces.com.au
www.sculptfireplaces.com.au

