

KlevaKlipKSL137N Snap-Loc Clips Install Instructions

Play Installation DVD at www.klevaklip.com.au



For ModWood 137mm Natural Grain Collection Decking

Please Read These Important Notes

- Thought should be given to finishing the last board option at the front of your deck before actual commencement of your deck.
- The KSL137N Snap-Loc clips are designed to fit only the 137mm x 23mm and 137mm x 32mm ModWood Natural Grain Collection (NGC) decking with Grooved edges.
- Never fix boards relying on adhesive only. If fixing boards in areas without KlevaKlip make sure you use some type of mechanical fix. (eg screw)
- KlevaKlip is not suitable for non-square decks or irregular joist heights. Whilst the fixing of the boards into the KlevaKlip is fast and will save time over conventional hand fixing, it is important that extreme care is taken in installing your first row of KlevaKlips. This will govern the straightness of your deck.

ADHESIVES GUIDE FOR KLEVAKLIP KSL137N SNAP-LOC CLIPS

Board Type	Approved Adhesives	Coverage
ModWood 137mm Natural Grain Collection Decking	Any Polyurethane-based MS-type outdoor adhesive is acceptable	Approx 1 Cartridge 12 sqm

FASTENERS GUIDE FOR KLEVAKLIP KSL137N SNAP-LOC CLIPS

Joist Type	Fastener	Type & Size	Fasteners per clip
			KSL137N
Timber (Hardwood or Softwood)	Screw	* Galvanised 8 gauge 20-25mm Button Head screw (head size less than 2mm)	2 per board space (8 per clip)
	Connector Nail	Galvanised Connector Nail 32mm x 3.2	2 per board space (8 per clip)
	Coil Nail	Duo-fast Coil Nail 2.75 x 32mm	2 per board space (8 per clip)
Metal	Screw (self drilling)	Galvanised 10gauge 16mm Wafer Head screw (head size less than 2mm)	2 per board space (8 per clip)

Note: In high corrosion areas you should use stainless steel fixings.

* Use counter-sunk head screws if button heads are not available. When using counter-sunk head screws make sure the screw head is sitting below the 2mm rib on the clip.

Step-1 Positioning the Front KlevaKlips to the Outer Side Joists

Starting from the outside front edge of your deck place a KlevaKlip on each one of your outer side Joists of your decking substructure.

Full deck board widths are recommended at the front of your deck, so at this point you need to consider the set-out of the deck:

- In order to address the fascia you are going to use (see Step 9), you need to make the decision on whether you wish to have an "overhang" finish, or a "flush" finish.

For "overhang" finish – go to Step 1 (a)

For "flush" finish – go to Step 1 (b)

Step 1 (a) - Overhang Method

Refer to Step 9 (a)

Fix the clip to the front joist making sure the front of the "dovetail" joiner is flush with the front joist and fitting squarely to the outside edge of the joists.

(See diagram opposite)

Step 1 (b) - Flush Finish Method

Refer to Step 9 (b)

The Flush finish utilises the outside upright on the clip to secure the front edge deck board. You will need to cut the clip as shown in the diagram opposite. You will also need to cut the outside tooth so as the gap between the front edge deck board and fascia board is correct.

Fix the clip to the joist making sure the front of the upright is flush with the front of the joists and lines up squarely to the outside edge of the joists.

Alternatively, you can screw fix the front board using colour-coded screws by cutting the whole upright off and using the base of the clip as a 4mm packer.

Important Note: Cutting the clip with a drop saw will give you the cleanest cut however, it is critical you place a piece of Off-Cut decking into the clip prior to cutting, otherwise the vibration of the saws teeth hitting the clips tooth can cause the tooth to shatter. (see diagram opposite)

For further details regarding cutting of the clips please refer to our installation video:

www.klevaklip.com.au/Installation-info

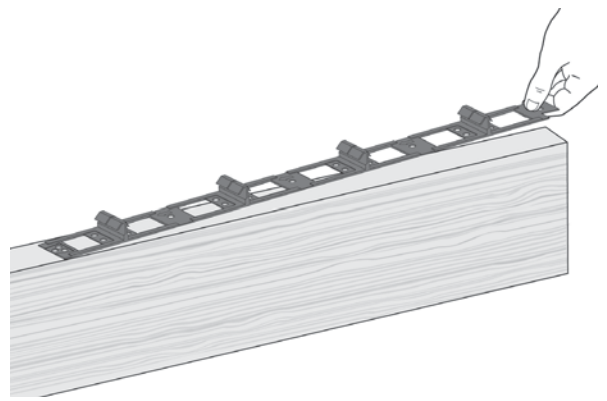
If starting from the back of your deck (at the house).

You can also use the flush finish method if you are starting from the back of your deck, however we suggest you place KlevaKlips on the end joists towards the front end of the deck to check squareness of the structure, and ensure you can achieve full board widths at the front of the deck.

Step 2- Fixing the Front KlevaKlips to the Outer Side Joists

Your first clips should be fixed by hand to ensure accuracy. The KSL137N requires two fasteners per board space (8 per clip) all fixed diagonally. When using a Coil Nailer gun fire directly into the middle of the nylon clip not the provided holes.

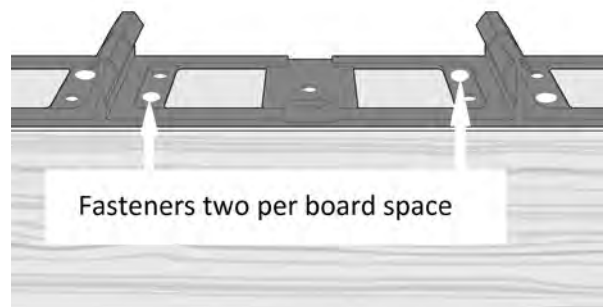
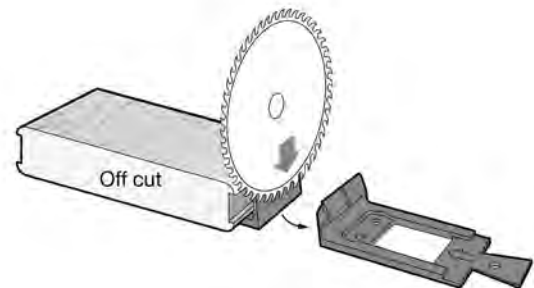
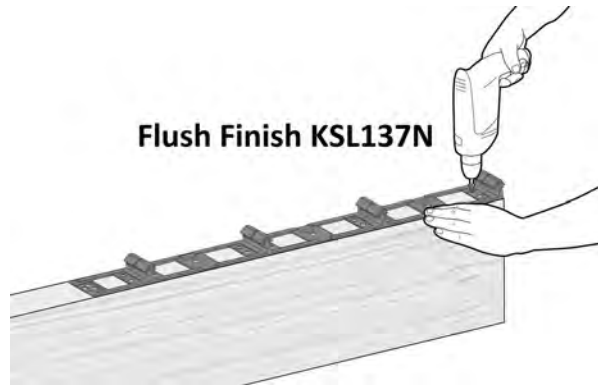
TIP: Time saving benefits can be achieved by utilising Coil Nailer gun to secure the inner rows of KlevaKlip's on to Timber Joists.



Overhang KSL137N



Flush Finish KSL137N



Step 3- Positioning the Front KlevaKlips to the Inside Joists

Once both outer side KlevaKlips have been securely fastened to the joists, run a string chalk line from one of the outer side KlevaKlips across the inner joists of the deck on to the other outer side KlevaKlip.

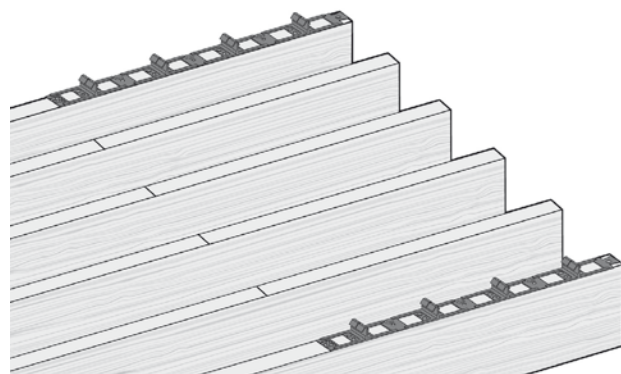
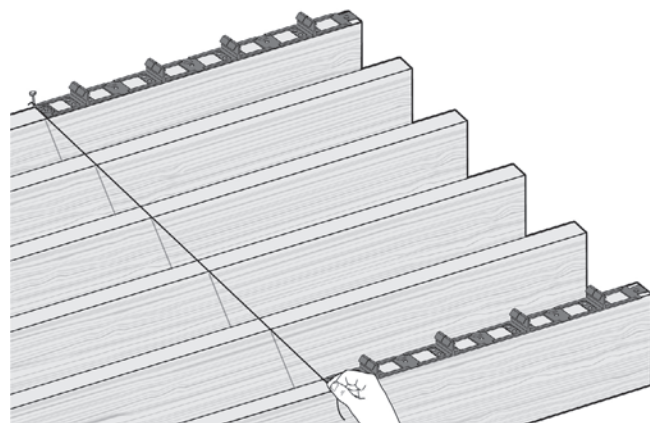
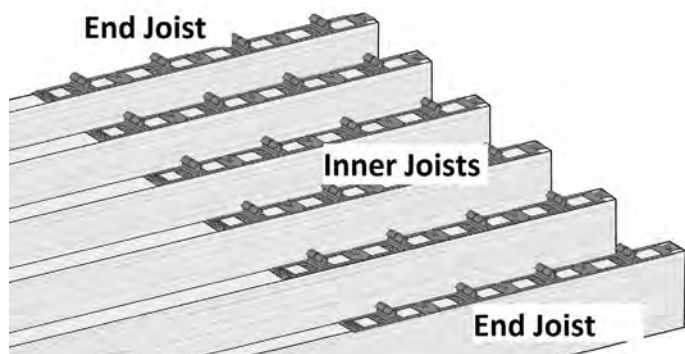
(See diagram opposite)

Pull string tightly and flick the string line and this will mark a chalk line on all the internal joists between the two outer side joists.

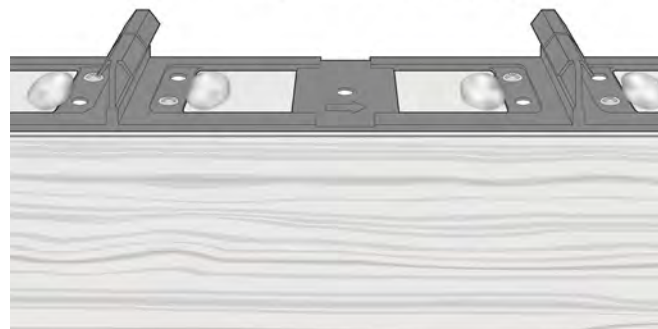
(See diagram opposite)

Using this chalk line mark you can then correctly position the remainder of front KlevaKlips on to the other internal joists. Fix to the joists using the same fixing methods as described in **Step2**.

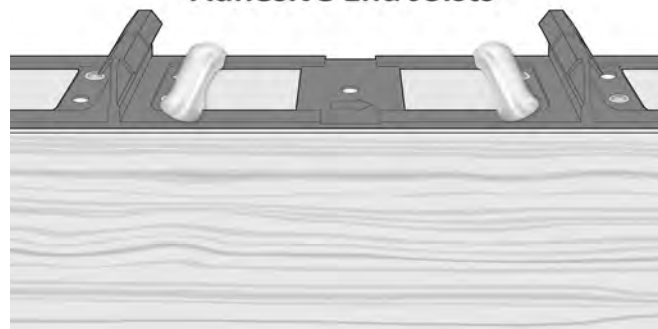
Using this method will align your inside KlevaKlips directly inline with your outside KlevaKlip's and alleviate any incorrect internal joist lengths.



Adhesive Inner Joists



Adhesive End Joists



Step 4- Applying Adhesive to your Clips

After you have completed laying your first row of KlevaKlips to your joists, it's time to apply a 2 x small dabs of adhesive approximately 8mm high by 8mm in diameter to your inner joists.

(See diagram opposite)

For boards at the end of the joists and butt joints you will need 8mm full bead of adhesive across the clip.

(See diagram opposite)

TIP: By using black adhesive there is less chance of noticing if you accidentally smear the adhesive.

Step 5- Inserting your Deck Boards

Place the complete length of the ModWood deck board on a slight angle and insert the leading edge of the groove into all the teeth. Once the complete length of the board's groove is engaged into all the teeth ensuring the outside Klevaklip uprights are visible on the outside edge of the ModWood, simply walk on the outside edge of the deck board until it engages into the KlevaKlips.

Repeat the processes in Step 4 and 5 until all the deck boards are inserted into the KlevaKlips.



Step 6 - Butt Joints

At the top of each KlevaKlip uprights you will see a notch. This notch is designed to line up with each your butt joints.

Apply a small bead of Adhesive approximately 8mm high across both sides of the clip. Insert your deck boards as instructed in Step 5 making sure you leave a 2mm gap at the butt joint as per ModWood install requirements. (See diagram opposite)

Tip: It is important that your butt joints are square and line up with the notch in the KlevaKlip upright.

Step 7- Installing the remaining KlevaKlips

Now you have completed your first front row of KlevaKlips and deck boards it is time to fix the remainder of the clips to the joists. Simply place the next KlevaKlip at the back end of the previous clip making sure both KlevaKlips are hard up against each other.

The "dovetail" joiner at the ends of the clip makes this fast and easy to get right.

Secure the remainder of the KlevaKlips to the joists using the same fixing methods as described in fixing the KlevaKlips **Step 2**, Apply adhesive as described in **Step 3** and Insert your deck board as described in **Step 4**.

Step 8 - Modifying KlevaKlips

Tip: You can design your deck width to suit full KlevaKlip lengths and ModWood board widths.

However, in some cases you may have to cut the KlevaKlip to fit. This will happen at the back of the deck generally against the house end.

KlevaKlip is designed either to take a half width board at this end or you can cut the KlevaKlip with snips to utilise any board width.

Step 9 (a) – Finishing Front Edge Deck Board Overhang Method

Step 1(a) detailed the first clip being installed to provide an "overhang" finish. Then:-

Screw fix a 30mm x 30mm aluminium right-angle to the ends of your joists, ensuring the top of the angle is 4mm above the top of the joists – to keep it the same height as the KlevaKlip ridges.

Drill holes in the aluminium angle between all the joists so you can fix screws from underneath your deck board. Push the front edge of the deck board hard into each of the KlevaKlips, then fix screws through the aluminium angle from underneath into your deck board.

Depending how your deck is constructed you can then screw fix a rebated ModWood decking board for the fascia to the front of the joist ends.

Step 9 (b) – Finishing Front Edge Deck Board Flush Finish Method

Step 1(b) detailed the first clip being installed to provide a "flush" finish. Then:-

Screw fix a ModWood Decking Board for the fascia to the front of the joist ends, making sure the top of the ModWood decking board is flush with top of the front edge deck board.

Adhesive Butt Joints

